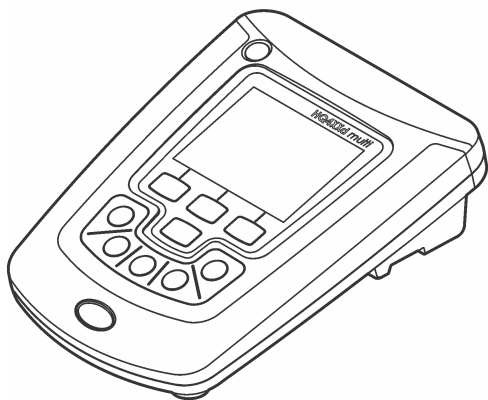




DOC022.97.80116

HQ440d, HQ430d, HQ411d

06/2013, Edition 2



Basic User Manual
Manuel d'utilisation de base
Manual básico del usuario
Manual Básico do Usuário
基本用户手册
基本取扱説明書
기본 사용 설명서
คู่มือผู้ใช้เบื้องต้น

| | |
|----------------|----|
| English..... | 3 |
| Français..... | 16 |
| Español..... | 30 |
| Português..... | 44 |
| 中文..... | 58 |
| 日本語..... | 69 |
| 한글..... | 83 |
| ไทย..... | 96 |

Table of contents

| | |
|---|---|
| Specifications on page 3 | Standard operation on page 10 |
| General information on page 3 | Data management on page 11 |
| Installation on page 5 | Maintenance on page 13 |
| User interface and navigation on page 7 | Troubleshooting on page 14 |
| Startup on page 9 | |

Specifications

Specifications are subject to change without notice.

| Specification | Details |
|-------------------------------|--|
| Dimensions | 17.48 x 8.59 x 23.5 cm (6.88 x 3.38 x 9.25 in.) |
| Weight | 750 g (1.65 lb) without batteries |
| Meter enclosure | IP54 with battery cover in place (resistant to intrusion of dust and water spray) |
| Power requirements (internal) | AA Alkaline or rechargeable Nickel Metal Hydride (NiMH) batteries (4); battery life: up to 200 hours |
| Power requirements (external) | Class III, external power adapter: 100–240 VAC, 50/60 Hz input; 4.5 to 7.5 VDC (7 VA) output |
| Meter protection class | Class I |
| Storage temperature | –20 to +60 °C (–4 to +140 °F) |
| Operating temperature | 5 to 45 °C (41 to 113 °F) |
| Operating humidity | 90% (non-condensing) |
| 5-pin input connector | M12 connector for IntelliCAL™ probes |
| Data memory (internal) | 500 results |
| Data storage | Automatic in Press to Read mode and Interval Mode. Manual in Continuous Read Mode. |

| Specification | Details |
|--------------------------|---|
| Data export | USB connection to PC or USB storage device (limited to the storage device capacity). Transfer entire data log or as readings are taken. |
| Connections | Integrated USB type A (for USB flash memory device, printer, keyboard) and Integrated USB type B (for PC) |
| Temperature correction | Off, automatic and manual (parameter dependent) |
| Measurement display lock | Continuous measurement, Interval or Press to Read mode. Averaging function for LDO probes. |
| Keyboard | External PC keyboard connector with USB/DC adapter |

General information

Revised editions are found on the manufacturer's website.

Safety information

NOTICE

The manufacturer is not responsible for any damages due to misapplication or misuse of this product including, without limitation, direct, incidental and consequential damages, and disclaims such damages to the full extent permitted under applicable law. The user is solely responsible to identify critical application risks and install appropriate mechanisms to protect processes during a possible equipment malfunction.

Please read this entire manual before unpacking, setting up or operating this equipment. Pay attention to all danger and caution statements. Failure to do so could result in serious injury to the operator or damage to the equipment.




Make sure that the protection provided by this equipment is not impaired. Do not use or install this equipment in any manner other than that specified in this manual.

Use of hazard information

| |
|--|
| ⚠ DANGER |
| Indicates a potentially or imminently hazardous situation which, if not avoided, will result in death or serious injury. |
| ⚠ WARNING |
| Indicates a potentially or imminently hazardous situation which, if not avoided, could result in death or serious injury. |
| ⚠ CAUTION |
| Indicates a potentially hazardous situation that may result in minor or moderate injury. |
| NOTICE |
| Indicates a situation which, if not avoided, may cause damage to the instrument. Information that requires special emphasis. |

Precautionary labels

Read all labels and tags attached to the instrument. Personal injury or damage to the instrument could occur if not observed. A symbol on the instrument is referenced in the manual with a precautionary statement.

| | |
|--|--|
|  | This symbol, if noted on the instrument, references the instruction manual for operation and/or safety information. |
|  | This symbol indicates that the marked item can be hot and should not be touched without care. |
|  | Electrical equipment marked with this symbol may not be disposed of in European public disposal systems after 12 August of 2005. In conformity with European local and national regulations (EU Directive 2002/96/EC), European electrical equipment users must now return old or end-of-life equipment to the Producer for disposal at no charge to the user. Note: For return for recycling, please contact the equipment producer or supplier for instructions on how to return end-of-life equipment, producer-supplied electrical accessories, and all auxiliary items for proper disposal. |

Product overview

The HQd series laboratory meters are used with digital IntelliCAL™ probes to measure various parameters in water. The meter automatically recognizes the type of probe that is connected to the meter. Measurement data can be stored and transferred to a printer, PC or USB storage device (Refer to [Figure 1](#)).

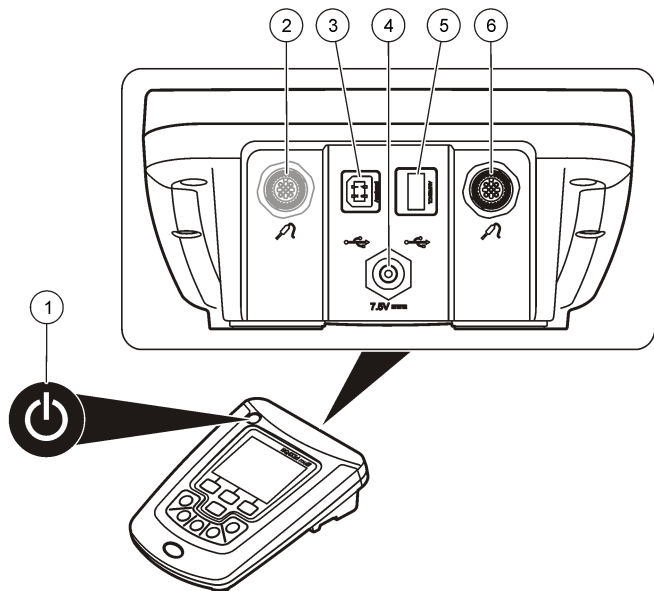
The HQd series meters are available in 3 models:

- HQ411d—pH/mV/ORP (Redox)
- HQ430d—Multi-parameter, single probe input
- HQ440d—Multi-parameter, dual probe inputs

Features common to all models:

- Automatic probe and parameter recognition
- Instrument guided calibration procedures
- Calibration data stored in the probe
- Probe specific method settings for regulatory compliance and Good Laboratory Practice (GLP)
- Security Options
- Real-time data logging with a USB connection
- USB connectivity to PC/printer/USB storage device/keyboard
- Bi-directional communication with PC-based systems with a virtual serial port connection
- Sample ID and Operator ID for data traceability
- Adjustable automatic shut-off

Figure 1 Product overview

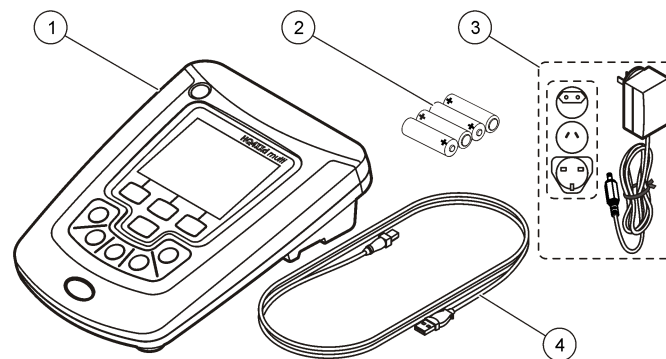


| | |
|---|---|
| 1 ON/OFF: turn on or turn off the meter | 4 DC power connector |
| 2 Probe connection port (HQ440d model) | 5 USB connector type A (for USB storage device, printer and keyboard) |
| 3 USB connector type B (for PC connections) | 6 Probe connection port |

Product components

Refer to [Figure 2](#) to make sure that all components have been received. If any items are missing or damaged, contact the manufacturer or a sales representative immediately.

Figure 2 Meter components



| | |
|----------------------------------|--|
| 1 HQ440d, HQ430d or HQ411d meter | 3 Universal power adapter |
| 2 AA batteries (pk/4) | 4 USB cable (HQ440d, HQ430d models only) |

Installation

⚠ CAUTION



Multiple hazards. Only qualified personnel must conduct the tasks described in this section of the document.

Connect to AC power

⚠ DANGER

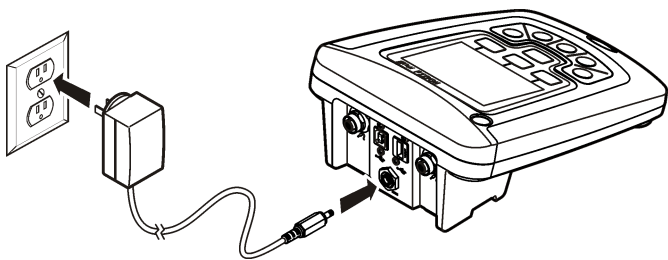


Electrocution Hazard. AC power outlets in wet or potentially wet locations **MUST ALWAYS** be provided with a Ground Fault Circuit Interrupting (GFCI/GFI) circuit breaker. The AC-DC power adapter for this product is not sealed and must not be used on wet benches or in wet locations without GFCI protection.

The meter can be powered by AC power with the universal power adapter.

1. Turn off the meter.
2. Select the correct adapter plug for the power outlet from the adapter kit (Figure 3).
3. Connect the universal power adapter to the meter.
4. Connect the universal power adapter to an AC receptacle.
5. Turn the meter on.

Figure 3 AC power connection



Install the batteries

⚠ WARNING

Explosion hazard. Incorrect battery installation can cause the release of explosive gases. Be sure that the batteries are of the same approved chemical type and are inserted in the correct orientation. Do not mix new and used batteries.

NOTICE

The battery compartment is not waterproof. If the battery compartment becomes wet, remove and dry the batteries and dry the interior of the compartment. Check the battery contacts for corrosion and clean them if necessary.

NOTICE

When using nickel metal hydride (NiMH) batteries, the battery icon will not indicate a full charge after freshly charged batteries have been inserted (NiMH batteries are 1.2 V versus 1.5 V for alkaline batteries). Even though the icon does not indicate complete charge, 2300 mAh NiMH batteries will achieve 90% of instrument operation lifetime (before recharge) versus new alkaline batteries.

NOTICE

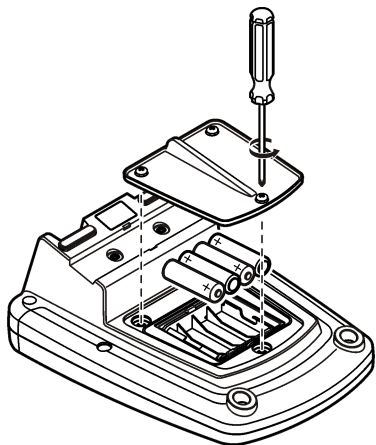
To avoid potential damage to the meter from battery leakage, remove the meter batteries prior to extended periods of non-use.

The meter can be powered with AA alkaline or rechargeable NiMH batteries. To conserve battery life, the meter will power off after 5 minutes of inactivity. This time can be changed in the Display Options menu.

For battery installation refer to [Figure 4](#).

1. Loosen the three battery cover screws and remove the battery cover.
Note: Do not remove the screws from the battery cover.
2. Install 4 AA alkaline or 4 AA nickel metal hydride (NiMH) batteries. Make sure that the batteries are installed in the correct polarity.
3. Replace the battery cover.
Note: Do not over-tighten the screws.

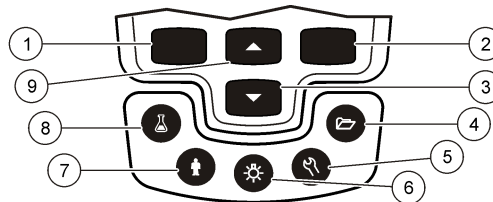
Figure 4 Battery installation



User interface and navigation

User interface

Figure 5 Keypad description



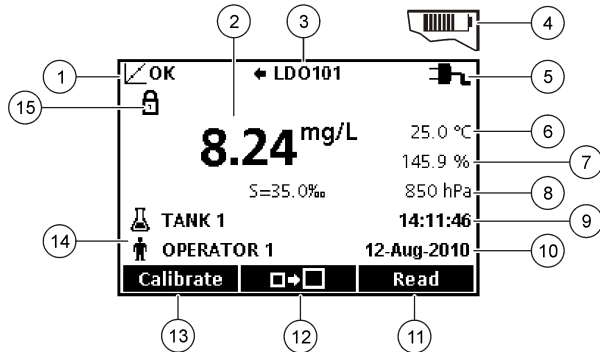
| | |
|---|---|
| 1 LEFT key: calibrates, cancels or exits the current menu | 6 BACKLIGHT: turn off display illumination |
| 2 RIGHT key: reads, selects, confirms or stores data | 7 OPERATOR ID: associate data with an individual |
| 3 DOWN key: scroll through menus, enter numbers/letters or change the reading screen view | 8 SAMPLE ID: associate data with a sample location |
| 4 DATA LOG: recall or transfer stored data | 9 UP key: scroll through menus, enter numbers and letters or change the reading screen view |
| 5 METER OPTIONS: change settings, run check standards, view meter information | |

Display description

Measurement screen

The meter display shows the concentration, units, temperature, calibration status, operator ID, sample ID, date and time (Figure 6).

Figure 6 Single screen display



| | |
|--|--|
| 1 Calibration status indicator | 9 Time |
| 2 Main measurement value and unit | 10 Date |
| 3 IntelliCAL probe type and port indicator | 11 Read (OK, Select) |
| 4 Battery status | 12 Display size icon |
| 5 Power source | 13 Calibrate (Cancel, Exit) |
| 6 Sample temperature (°C or °F) | 14 Sample and operator identification |
| 7 Secondary measurement unit | 15 Stability or display lock indicator |
| 8 Tertiary units (for some probes) | |

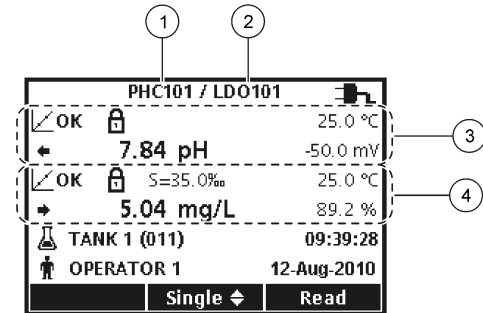
Dual-screen mode (HQ440d model only)

When two probes are connected to the HQ440d meter, the display can show the reading from both probes simultaneously or show just one probe (Figure 7).

Note: For probe calibration, change the screen mode to the single screen mode.

To change the screen mode to single or dual screen, use the \triangle and ∇ keys. In dual screen mode, the \triangle key will select the probe on the left and the ∇ key will select the probe on the right.

Figure 7 Dual-screen display



| | |
|--|--|
| 1 Probe that is connected to port on left | 3 Measurement information for probe on left |
| 2 Probe that is connected to port on right | 4 Measurement information for probe on right |

Navigation

The meter contains menus to change various options. Use the \triangle and ∇ keys to highlight different options. Push the RIGHT key to select an option. There are two ways to change options:

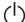
1. Select an option from a list: Use the \triangle and ∇ keys to select an option. If check boxes are shown, more than one option can be selected. Push the LEFT key under Select.

Note: To deselect check boxes, push the LEFT key under Deselect.

2. Enter an option value using the arrow keys: Push the \triangle and ∇ keys to enter or change a value.
3. Push the RIGHT key to advance to the next space.
4. Push the RIGHT key under OK to accept the value.

Startup

Turn the meter on and off


Push the  key to turn on or turn off the meter. If the meter does not turn on, make sure that the AC power supply is properly connected to an electrical outlet or that the batteries are properly installed.

Change the language

The display language is selected when the meter is powered on for the first time. The language can also be changed from the Meter Options menu.

Access to the language menu can be restricted with the Security Options.

Additional information is available on the manufacturer's website.

1. Push the  key and select Language.
2. Select a language from the list.

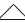


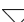


Note: While turning the meter on, the language can also be changed when the power key is pushed and held.

Change the date and time

The date and time can be changed from the Date & Time menu.

1. Push the  key and select Date & Time.

2. Update the time and date information:

| Option | Description |
|---------------|--|
| Format | Select one of the formats below for the date and time. Use the  and  keys to select from the format options. dd-mm-yyyy 24h dd-mm-yyyy 12h mm/dd/yyyy 24h mm/dd/yyyy 12h dd-mmm-yyyy 24h dd-mmm-yyyy 12h yyyy-mm-dd 24h yyyy-mm-dd 12h |
| Date | Use the  and  keys to enter the current date. |
| Time | Use the  and  keys to enter the current time. |

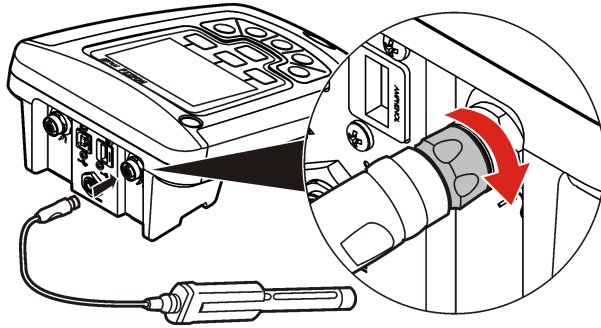
The current date and time will be shown on the display.

Connect a probe after the date and time setup, so that the meter is ready to take a measurement.

Connect a probe

1. Make sure that the display shows the current time and date.
Note: The time stamp for a probe is set when the probe is first connected to the meter. This time stamp makes it possible to record the probe history and record the time when measurements are made.
2. Plug the probe into the meter ([Figure 8](#)).
3. Push and turn the locking nut to tighten.

Figure 8 Probe connection



Standard operation

About calibration

Each probe uses a different type of calibration solution. Make sure to calibrate the probes frequently to maintain the highest level of accuracy.

Note: For step-by-step instructions, refer to the documents that are included with each probe.

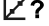
The calibration icon  can indicate that:

- the calibration timer has expired
- the LDO sensor cap should be replaced
- the calibration is out of range
- the calibration results are outside acceptance criteria settings

About sample measurements

Each probe has specific preparation steps and procedures for taking sample measurements. For step-by-step instructions, refer to the documents that are included with the probe.


About check standards

Run Check Standards verifies equipment accuracy by measuring a solution of a known value. The meter will indicate if the Check Standard passed or failed. If the Check Standard fails, the calibration icon  is shown until the probe is calibrated.

The meter can be set to automatically show a reminder for check standard measurement at a specified interval with a specified acceptance criteria. The reminder, value of the check standard, and acceptance criteria can be changed. For step-by-step instructions, refer to the documents that are included with the probe.

Use a sample ID


The sample ID tag is used to associate measurements with a particular sample location. If assigned, stored data will include the sample ID.

1. Push the  key.
2. Select, create or delete a sample ID:

| Option | Description |
|-------------------------------|--|
| Current ID | Select an ID from a list. The current ID will be associated with sample data until a different ID is selected. |
| Create a New Sample ID | Enter a name for a new sample ID. |
| Delete Sample ID | Delete an existing sample ID. |

Use an operator ID

The operator ID tag associates measurements with an individual operator. All stored data will include the operator ID.

1. Push the  key.
2. Select, create or delete an operator ID:

| Option | Description |
|---------------------------------|--|
| Current ID | Select an ID from a list. The current ID will be associated with sample data until a different ID is selected. |
| Create a New Operator ID | Enter a name for a new operator ID (maximum 10 names can be entered). |
| Delete Operator ID | Delete an existing operator ID. |


Data management

About stored data

The following types of data are stored in the data log:



- Sample measurements: stored automatically each time a sample is measured in the Press to Read or Interval Mode. When the continuous measurement mode is used, data is stored only when Store is selected.
- Calibrations: stored only when Store is selected at the end of a calibration. Calibration data is also stored in the IntelliCAL (R) probe.
- Check standard measurements: stored automatically each time a check standard is measured (in the Press to Read or Interval Mode).

When the data log becomes full (500 data points), the oldest data point is deleted when a new data point is added. The entire data log can be deleted to remove data that has already been sent to a printer or PC

( key > Delete Data Log). To prevent deletion of the data log by a user, use the Security Options menu.

View stored data


The data log contains sample, calibration and check standard data. The most recent data point in the data log is tagged as Data Point 001.

1. Push the  key.
2. Select View Data Log to view the stored data. The most recent data point is shown. The top of the screen shows whether the data is from a sample reading, a calibration or a check standard. Push the  key to view the next most recent data point.

| Option | Description |
|---------------------------|---|
| Reading Log | Reading Log—shows sample measurements including the time, date, operator and sample ID. Select Details to view the associated calibration data. |
| Calibration Log | Calibration Log—shows calibration data. Select Details to view additional information about the calibration. |
| Check Standard Log | Check Standard Log—shows check standard measurements. Select Details to view the calibration data that was associated with the measurement. |

View stored probe data

Make sure that a probe is connected to the meter. If two probes are connected, select the appropriate probe when prompted.

1. To view the calibration data that is stored in a probe, push the  key and select View Probe Data. The current calibration and calibration history for the probe can be viewed.

| Option | Description |
|---------------------------------|---|
| View Current Calibration | The current calibration information shows the calibration details for the most recent calibration. If the probe has not been calibrated by the user, the factory calibration data is shown. |
| View Calibration History | The calibration history shows a list of the times when the probe was calibrated. Select a date and time to view a summary of the calibration data. |

Print stored data

The meter must connect to AC power to start the USB connection. Make sure that the connection to AC power is made before the meter is powered on.

All data can be sent to a printer. The PD-24 Citizen Printer is compatible with the HQd meters and is FCC Part 15B, Class B compliant with the HQ meters. Other printers may not be compatible. Compatible printers should support a minimum of 72 columns of data, be capable of printing up to 500 continuous data-stream events in 1, 2 and 3 lines of text and fully support code page 437 and code page 850.


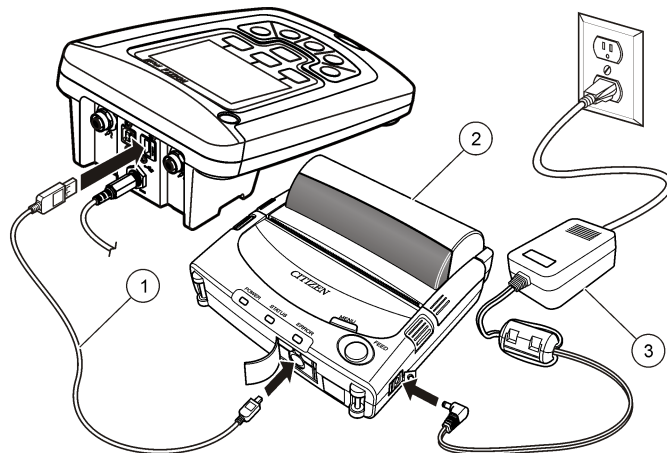
1. Turn off the meter. Make sure that the meter is connected to AC power. Refer to [Connect to AC power](#) on page 5.
2. Connect the printer to the meter with a USB cable type A. Refer to [Figure 9](#).
3. Turn on the meter.
4. Push the  key.
5. Select Send Data Log. Wait for the display to show “Transfer Complete” and wait for the printer to stop printing. Disconnect the printer.


Figure 9 Connection to the printer



| | |
|---|--|
| 1 USB cable | 3 AC-DC power supply for printer (optional) |
| 2 Citizen Printer, FCC Part 15B, Class B compliant | |

Change the report options

Printed reports for sample data can contain 1, 2 or 3 lines of information. Additional information is available on the manufacturer's website.

1. Push the  key. Select Report Options.
2. Select Report Type and select one of the options.

| Option | Description |
|---------------------|-------------------|
| Basic report | One line of data. |


| Option | Description |
|------------------------|--|
| Advanced report | Two lines of data. The first line contains the same information as in the basic report. |
| Total report | Three lines of data. The first two lines contain the same information as in the advanced report. |

Send data to a USB storage device

NOTICE

The transfer of a large number of data points will take some time. DO NOT disconnect the USB storage device until the transfer is complete.

Data can be transferred to a USB storage device for storage or transfer to a computer.

1. Turn off the meter. Make sure that the meter is connected to AC power.
2. Plug the USB storage device into the meter before the meter is powered on.
3. Turn on the meter.
4. Push the  key.
5. Select Send Data Log. Wait for the display to show "Transfer Complete" and for any lights on the USB storage device to stop flashing. Then remove the USB device.


Note: If the data transfer is slow, reformat the USB storage device to use the file allocation table (FAT) format for the next use.

Send data directly to a computer

Data can be transferred from any HQd series meter directly to a computer when the HQ40d PC Application is installed. The data can be sent in real time during data collection, or the entire data log can be transferred.

To download the most current version of the software, refer to the applicable product page on the manufacturer's website.

1. Install the HQ40d PC Application on the computer.

2. Turn off the meter. Make sure that the meter is connected to AC power.
3. Connect the PC to the meter with a USB type B cable.
4. Turn on the meter.
5. Open the HQ40d PC Application on the computer. Click on the green triangle in the menu bar to start a connection.
6. Collect the data in real time or transfer the data from the data log:
 - Real time—when a data point is stored in the meter, the result is sent simultaneously to the PC Application. Additional information is available on the manufacturer's website.
 - Data log—push the  key and select Send Data Log. Wait for the display to show "Transfer Complete." The data is sent as a comma separated values (.csv) file.

The data is shown in the HQ40d PC Application window.

Maintenance

CAUTION



Multiple hazards. Only qualified personnel must conduct the tasks described in this section of the document.

Clean the meter

The meter is designed to be maintenance-free and does not require regular cleaning for normal operation. Exterior surfaces of the meter may be cleaned as necessary.

1. Wipe the surface of the meter with a damp cloth.
2. Use a cotton-tipped applicator to clean or dry the connectors.

Replace the batteries

⚠ WARNING

Explosion hazard. Incorrect battery installation can cause the release of explosive gases. Be sure that the batteries are of the same approved chemical type and are inserted in the correct orientation. Do not mix new and used batteries.

For battery replacement, refer to [Figure 10](#).

1. Loosen the three battery cover screws and remove the battery cover ([Figure 10](#)).

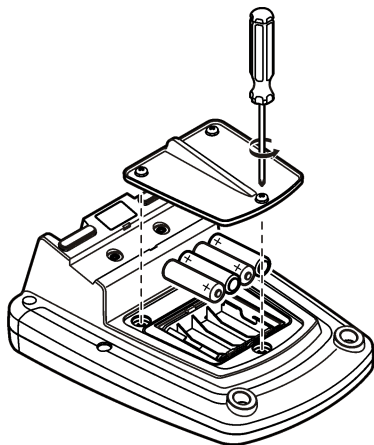
Note: Do not remove the screws from the battery cover.

2. Remove the batteries.
3. Install 4 AA alkaline or 4 AA nickel metal hydride (NiMH) batteries. Make sure that the batteries are installed in the correct polarity.

4. Replace the battery cover.

Note: Do not over-tighten the screws.

Figure 10 Battery replacement



Troubleshooting

Refer to the following table for common problem messages or symptoms, possible causes and corrective actions.

| Error/Warning | Description | Solution |
|-----------------------------------|---|---|
| Connect a Probe | Probe disconnected or connected improperly | Tighten the locking nut on the probe connector. Disconnect the probe and then connect the probe again |
| | Software not updated to most current version | To download the most current version of the software, refer to the applicable product page on the manufacturer's website. |
| | Problem with probe | Connect a different IntelliCAL probe to verify if problem is with probe or meter |
| Probe Not Supported | Probe disconnected or connected improperly | Tighten the locking nut on the probe connector. Disconnect the probe and then connect the probe again. |
| | Software not updated to most current version | To download the most current version of the software, refer to the applicable product page on the manufacturer's website. |
| | Problem with probe | Connect a different IntelliCAL probe to the meter to verify if problem is with the meter or the probe. |
| | HQd meter does not support IntelliCAL probe | Contact Technical Support. |
| Bootloader X.X.XX.XX error | Software not updated to most current version. | To download the most current version of the software, refer to the applicable product page on the manufacturer's website. |

| Error/Warning | Description | Solution |
|---|---|---|
| 0 days remaining message (For LDO and LBOD only) | LDO or LBOD sensor cap used for 365 days | Replace the LDO or LBOD sensor cap and iButton®. |
| | There are 0 days remaining in the life of the LDO sensor cap. | Replace the LDO sensor cap. Calibration will be allowed. However, the calibration icon and question mark will appear on the measurement screen even if the calibration has passed. |
| | Meter set to incorrect date and time | <ol style="list-style-type: none"> 1. Disconnect the probe from the meter. 2. Remove the meter batteries. 3. Install the meter batteries properly. Follow the polarity markings. 4. Set correct date and time in the meter. 5. Connect the probe and verify that message has been removed. |
| | Software not updated to most current version | To download the most current version of the software, refer to the applicable product page on the manufacturer's website. |
| Meter not configured | Software error(s) | If the meter starts up correctly, back up the Data Log and Method files. To download the most current version of the software, refer to the applicable product page on the manufacturer's website. |

| Error/Warning | Description | Solution |
|--|--|---|
| Meter will not power on or powers on intermittently | Batteries are not installed correctly | Examine battery orientation to make sure the batteries follow the polarity markings. Test again. |
| | | Clean the battery terminals, then install new batteries. |
| | | Connect AC power adapter and test again. |
| | Software not updated to most current version | To download the most current version of the software, refer to the applicable product page on the manufacturer's website. |
| | Damaged meter | Contact Technical Support. |
| Unable to access Full Access Options screen | Correct password has not been entered | Contact Technical Support. |
| Unable to access Full or Operator Access Options screen | Software not updated to most current version | To download the most current version of the software, refer to the applicable product page on the manufacturer's website. |

Table des matières

Caractéristiques techniques à la page 16

Généralités à la page 16

Installation à la page 19

Interface utilisateur et navigation
à la page 21

Mise en marche à la page 22

Fonctionnement standard
à la page 23

Gestion des données
à la page 24

Maintenance à la page 27

Dépannage à la page 28

Caractéristiques techniques

Les caractéristiques techniques peuvent être modifiées sans préavis.

| Caractéristiques | Détails |
|--------------------------------------|--|
| Dimensions | 17,48 x 8,59 x 23,5 cm |
| Poids | 750 g sans les piles |
| Boîtier de l'appareil | IP54 avec le capot des piles installé (résistant à l'intrusion des poussières et des projections d'eau) |
| Alimentation (interne) | Piles AA alcalines ou rechargeables nickel-métal-hydrure (NiMH) (4) ; durée des piles : jusqu'à 200 heures |
| Alimentation (externe) | Adaptateur électrique externe de classe III : entrée 100–240 VCC, 50/60 Hz ; Sortie 4,5 à 7,5 VCC (7 VA) |
| Classe de protection de l'instrument | Classe I |
| Température de stockage | –20 à +60 °C (–4 à +140 °F) |
| Températures de fonctionnement | 5 à 45 °C (41 à 113 °F) |
| Humidité relative de fonctionnement | max. 90% (sans condensation) |
| Connecteur d'entrée 5 broches | Connecteur M12 pour sondes IntelliCAL™ |

| Caractéristiques | Détails |
|------------------------------------|---|
| Mémoire de données (interne) | 500 résultats |
| Stockage des données | Automatique en mode Par appui sur une touche et en mode A intervalle. Manuel de lecture En continu. |
| Exportation des données | Connexion USB vers un PC ou un périphérique de stockage USB (limitée par la capacité du périphérique de stockage). Transfert de la totalité du journal des données ou lors de la prise des mesures. |
| Connexions | USB intégré de type A (pour un périphérique de mémoire Flash USB, une imprimante, un clavier) et USB intégré de type B (pour un PC) |
| Correction de température | Désactivé, automatique et manuel (selon les paramètres) |
| Verrouillage d'affichage de mesure | Mesure en continu, mode Par appui sur une touche ou en mode A intervalle. Fonction de calcul de moyenne pour les sondes LDO. |
| Clavier | Connecteur pour clavier PC externe par adaptateur USB/CC |

Généralités

Les éditions révisées se trouvent sur le site Internet du fabricant.

Consignes de sécurité

AVIS

Le fabricant décline toute responsabilité quant aux dégâts liés à une application ou un usage inappropriés de ce produit, y compris, sans toutefois s'y limiter, des dommages directs ou indirects, ainsi que des dommages consécutifs, et rejette toute responsabilité quant à ces dommages dans la mesure où la loi applicable le permet. L'utilisateur est seul responsable de la vérification des risques d'application critiques et de la mise en place de mécanismes de protection des processus en cas de défaillance de l'équipement.

Veillez lire l'ensemble du manuel avant le déballage, la configuration ou la mise en fonctionnement de cet appareil. Respectez toutes les déclarations de prudence et d'attention. Le non-respect de cette procédure peut conduire à des blessures graves de l'opérateur ou à des dégâts sur le matériel.

Assurez-vous que la protection fournie avec cet appareil n'est pas défaillante. N'utilisez ni n'installez cet appareil d'une façon différente de celle décrite dans ce manuel.

Interprétation des indications de risques

DANGER

Indique une situation de danger potentiel ou imminent qui, si elle n'est pas évitée, entraîne des blessures graves, voire mortelles.

AVERTISSEMENT

Indique une situation de danger potentiel ou imminent qui, si elle n'est pas évitée, peut entraîner des blessures graves, voire mortelles.

ATTENTION



Indique une situation de danger potentiel qui peut entraîner des blessures mineures ou légères.

AVIS

Indique une situation qui, si elle n'est pas évitée, peut occasionner l'endommagement du matériel. Informations nécessitant une attention particulière.

Étiquettes de mise en garde

Lisez toutes les informations et toutes les étiquettes apposées sur l'appareil. Des personnes peuvent se blesser et le matériel peut être endommagé si ces instructions ne sont pas respectées. Un symbole sur l'appareil est référencé dans le manuel et accompagné d'une déclaration de mise en garde.

| | |
|---|--|
|  | Si l'appareil comporte ce symbole, reportez-vous au manuel d'utilisation pour consulter les informations de fonctionnement et de sécurité. |
|  | Ce symbole indique que l'élément signalé peut être chaud et que des précautions doivent être prises avant de le toucher. |
|  | En Europe, depuis le 12 août 2005, les appareils électriques comportant ce symbole ne doivent pas être jetés avec les autres déchets. Conformément à la réglementation nationale et européenne (Directive 2002/96/CE), les appareils électriques doivent désormais être, à la fin de leur service, renvoyés par les utilisateurs au fabricant, qui se chargera de les éliminer à ses frais. Remarque : Pour le retour à des fins de recyclage, veuillez contacter le fabricant ou le fournisseur d'équipement pour obtenir les instructions sur la façon de renvoyer l'équipement usagé, les accessoires électriques fournis par le fabricant, et tous les articles auxiliaires pour une mise au rebut appropriée. |

Présentation du produit

Les appareils de mesure de laboratoire série HQd s'utilisent avec des sondes numériques IntelliCAL™ pour mesurer différents paramètres dans l'eau. L'instrument reconnaît automatiquement le type de sonde auquel il est relié. Les données de mesure peuvent être enregistrées et transférées vers une imprimante, un PC ou un périphérique de stockage USB (voir [Figure 1](#)).

Les appareils de mesure série HQd sont disponibles en 3 modèles :

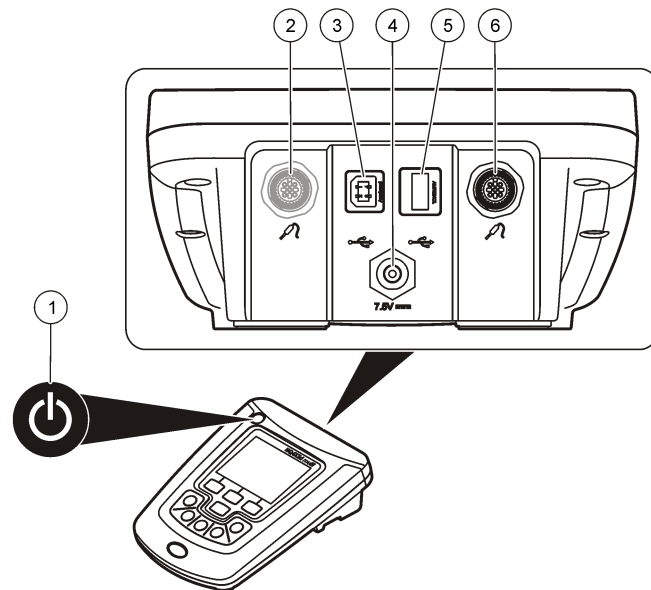
- HQ411d—pH/mV/ORP (Oxydoréduction)
- HQ430d— Paramètres multiples, entrée pour une seule sonde
- HQ440d—Paramètres multiples, entrées pour deux sondes

Caractéristiques communes à tous les modèles :

- Reconnaissance des paramètres et de la sonde automatique
- Procédures d'étalonnage guidées par l'instrument
- Données d'étalonnage enregistrées dans la sonde
- Probe specific method settings for regulatory compliance and Good Laboratory Practice (BPL)
- Options de sécurité

- Enregistrement en temps réel des données par connexion USB
- Connexion USB vers PC/imprimante/périphérique de stockage USB/clavier
- Communication bidirectionnelle avec les systèmes de type PC dotés d'une connexion par port série virtuel
- Identifiant de l'échantillon et identifiant de l'opérateur pour la traçabilité des données
- Arrêt automatique réglable

Figure 1 Présentation du produit

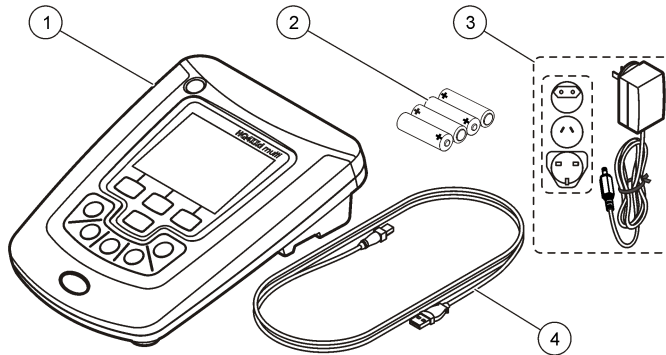


| | |
|--|--|
| 1 MARCHE/ARRET : allumage ou extinction de l'appareil | 4 Connecteur d'alimentation CC |
| 2 Port de connexion de la sonde (modèle HQ440d) | 5 Connecteur USB de type A (pour un périphérique de stockage, une imprimante et un clavier USB) |
| 3 Connecteur USB de type B (pour les connexions vers un PC) | 6 Port de connexion de la sonde |

Composants du produit

Consultez la [Figure 2](#) pour vous assurer que tous les éléments ont bien été reçus. Si des éléments manquent ou sont endommagés, contactez immédiatement le fabricant ou un représentant commercial.

Figure 2 Composants de l'appareil



| | |
|-------------------------------------|--|
| 1 Appareil HQ440d, HQ430d ou HQ411d | 3 Adaptateur électrique universel |
| 2 Piles AA (4 unités) | 4 Cordon USB (modèles HQ440d, HQ430d uniquement) |

Installation

⚠ ATTENTION



Dangers multiples. Seul le personnel qualifié doit effectuer les tâches détaillées dans cette section du document.

Branchement sur alimentation CA

⚠ DANGER

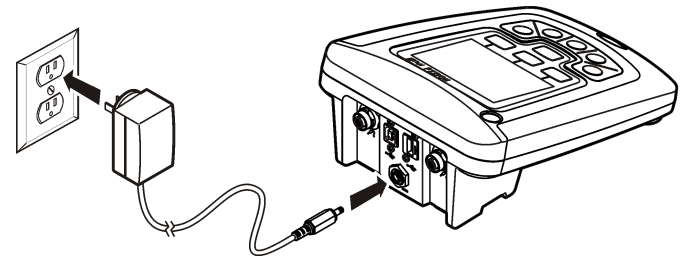


Risque d'électrocution Les prises d'alimentation secteur CA au sein d'environnements humides ou potentiellement humides DOIVENT TOUJOURS être munies d'un disjoncteur de fuite à la terre (GFCI/GFI). L'adaptateur CA-CC pour ce produit n'est pas étanche et ne doit pas être utilisé sur des pailles humides ou dans des lieux humides sans protection GFCI.

L'appareil de mesure peut être alimenté sur secteur à l'aide d'un adaptateur d'alimentation universel.

1. Arrêter l'appareil.
2. Sélectionner la fiche d'adaptateur appropriée à la prise électrique dans le kit adaptateur (Figure 3).
3. Brancher l'adaptateur d'alimentation universel à l'instrument.
4. Brancher l'adaptateur d'alimentation universel à une prise secteur.
5. Allumer l'appareil.

Figure 3 Connexion secteur CA



Installation des piles

⚠ AVERTISSEMENT

Risque d'explosion. Une installation incorrecte des piles peut libérer des gaz explosifs. Veillez à ce que les piles soient du même type chimique homologué et qu'elles soient insérées dans le bon sens. Ne mélangez pas des piles neuves et des piles usagées.

AVIS

Le compartiment des piles n'est pas étanche à l'eau. Si le compartiment des piles est humide, retirez et séchez les piles et séchez l'intérieur du compartiment. Recherchez des traces de corrosion sur les contacts des piles et les nettoyer si nécessaire.

AVIS

En cas d'utilisation de piles nickel métal hybride (NiMH), l'icône d'état des piles n'indique pas une charge complète après mise en place de piles venant d'être rechargées (les piles NiMH ont une tension de 1,2 V, les piles alcalines de 1,5 V). Même si l'icône n'indique pas une charge complète, les piles NiMH de 2300 mAh atteignent 90 % de la durée de fonctionnement de l'appareil (avant recharge) comparée à des piles alcalines neuves.

AVIS

Pour éviter des dégâts potentiels à l'appareil suite à une fuite des piles, retirer les piles de l'appareil de mesure s'il ne doit pas être utilisé pendant une durée prolongée.

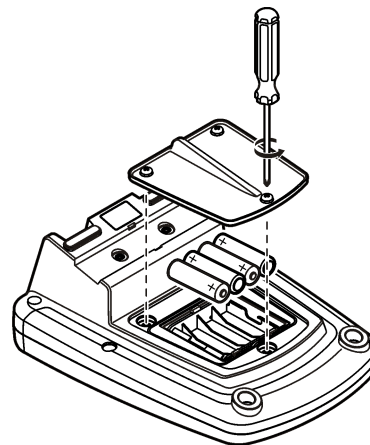
L'appareil peut être alimenté par des piles alcalines AA ou rechargeables NiMH. Pour optimiser la durée de vie des piles, l'appareil s'éteint après 5 minutes d'inactivité. Cette durée est modifiable dans le menu des Options d'affichage.

Pour l'installation de la pile, reportez-vous à la [Figure 4](#).

1. Desserrer les trois vis du capot des piles et retirez le capot.
Remarque : Ne retirez pas les vis du capot des piles.
2. Installer 4 piles alcalines AA ou 4 piles rechargeables nickel métal hybride (NiMH) AA. Veillez à installer les piles en respectant leur polarité.
3. Reposer le capot des piles.

Remarque : Ne serrez pas excessivement les vis.

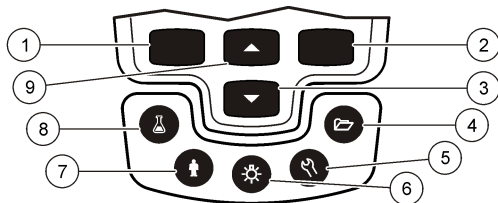
Figure 4 Installation de la batterie



Interface utilisateur et navigation

Interface utilisateur

Figure 5 Description du clavier



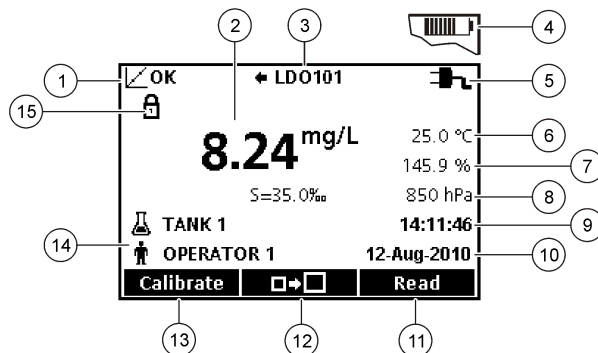
| | |
|--|--|
| 1 Touche GAUCHE : étalonne, annule et quitte le menu actuel | 6 RÉTROÉCLAIRAGE : désactive l'illumination de l'écran |
| 2 Touche DROITE : lit, sélectionne, confirme ou stocke les données | 7 ID OPERATEUR: association de données à une personne |
| 3 Touche BAS : permet de faire défiler les menus, de saisir des chiffres et des lettres ou de modifier l'affichage de l'écran de lecture | 8 ID D'ECHANTILLON : association de données à un emplacement d'échantillon |
| 4 JOURNAL DES DONNEES: rappel ou transfert de données enregistrées | 9 Touche HAUT : permet de faire défiler les menus, de saisir des chiffres et des lettres ou de changer l'affichage de l'écran de lecture |
| 5 OPTIONS DE L'INSTRUMENT : modification des paramètres, analyse de standards de vérification, affichage d'informations sur l'appareil | |

Description de l'affichage

Ecran de mesure

L'affichage de l'appareil de mesure indique la concentration, les unités, la température, l'état d'étalonnage, l'ID d'opérateur, l'ID d'échantillon, la date et l'heure (Figure 6).

Figure 6 Affichage sur écran unique



| | |
|---|---|
| 1 Témoin d'état d'étalonnage | 9 Heure |
| 2 Unité et valeur de mesure principale | 10 Date |
| 3 Indicateur du type de sonde IntelliCAL et du port | 11 Mesure (OK, Valider) |
| 4 Etat des batteries | 12 Icône de taille d'affichage |
| 5 Source d'alimentation | 13 Etalonner (Annuler, Quitter) |
| 6 Température d'échantillon (°C ou °F) | 14 Identification d'échantillon et d'opérateur |
| 7 Unité de mesure secondaire | 15 Indicateur de stabilité ou de verrouillage d'affichage |
| 8 Unités spécifiques (pour certaines sondes) | |

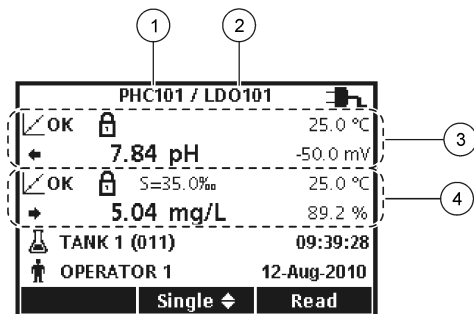
Mode d'écran double (modèle HQ440d uniquement)

Quand deux sondes sont reliées à l'appareil HQ440d, l'affichage peut présenter simultanément la lecture de deux sondes, ou celle d'une seule sonde (Figure 7).

Remarque : Pour l'étalonnage de la sonde, changez la mode d'affichage en passant en mode d'écran simple.

Pour modifier le mode d'écran en simple ou double, utilisez les touches \triangle et ∇ . En mode d'écran double, la touche \triangle sélectionne la sonde de gauche et la touche ∇ sélectionne la sonde de droite.

Figure 7 Affichage sur écran double



| | |
|---------------------------------|---|
| 1 Sonde reliée au port à gauche | 3 Informations de la mesure pour la sonde de gauche |
| 2 Sonde reliée au port à droite | 4 Informations de la mesure pour la sonde de droite |

Navigation

L'appareil contient des menus permettant de modifier diverses options. Utilisez les touches \triangle et ∇ pour sélectionner différentes options. Appuyer sur la touche DROITE pour sélectionner une option. Il y existe deux méthodes pour modifier les options :

1. Sélectionner une option dans la liste : utiliser les touches \triangle et ∇ pour sélectionner une option. Si des cases à cocher apparaissent, il est possible de sélectionner plus d'une option. Appuyer sur la touche GAUCHE sous Valider.

Remarque : Pour désélectionner les cases à cocher, appuyer sur la touche GAUCHE sous Désélect.

2. Saisie d'une valeur d'option par les touches fléchées : Appuyer sur les touches \triangle et ∇ pour saisir ou modifier une valeur.

3. Appuyer sur la touche DROITE pour avancer à l'emplacement suivant.
4. Appuyer sur la touche DROITE sous OK pour accepter la valeur.

Mise en marche

Allumage et extinction de l'appareil de mesure

Appuyer sur la touche ⏻ pour allumer ou éteindre l'appareil de mesure. Si l'appareil ne s'allume pas, vérifiez que l'alimentation CA est bien branchée dans une prise électrique, ou que les piles sont mises en place correctement.

Modifier la langue

La langue de l'affichage est sélectionnée au premier allumage de l'appareil. La langue est aussi modifiable sur le menu Options de l'appareil.

L'accès au menu Langue peut être limité par les Options de sécurité.


Des informations supplémentaires sont disponibles sur le site Web du fabricant.

1. Appuyer sur la touche ⏻ et sélectionner Langue.
2. Sélectionner une langue dans la liste.

Remarque : Pendant la démarrage de l'instrument, vous pouvez également changer la langue en maintenant la touche d'alimentation enfoncée.

Réglage de date et heure

La date et l'heure sont modifiables sur le menu Date et heure.

1. Appuyer sur la touche  et sélectionner Date et Heure.
2. Mise à jour des informations de date et heure :

| Options | Descriptions |
|---------------|---|
| Format | Sélectionner l'un des formats de date et d'heure. Utiliser les touches \triangle et ∇ pour sélectionner l'une des options de format. jj-mm-aaaa 24h jj-mm-aaaa 12h mm/jj/aaaa 24h mm/jj/aaaa 12h jj-mmm-aaaa 24h jj-mmm-aaaa 12h aaaa-mm-jj 24h aaaa-mm-jj 12h |
| Date | Utilisez les touches \triangle et ∇ pour saisir la date actuelle. |
| Heure | Utilisez les touches \triangle et ∇ pour saisir l'heure actuelle. |

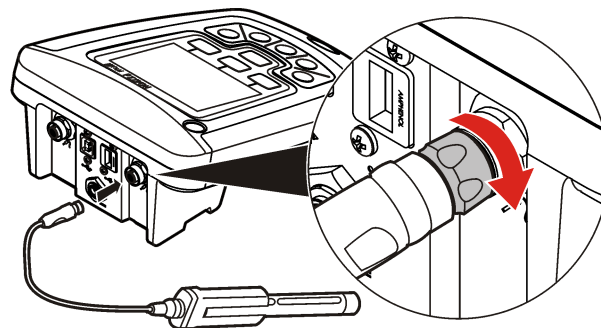
La date et l'heure en cours apparaissent sur l'écran.

Brancher une sonde après avoir configuré la date et l'heure pour que l'instrument soit prêt à prendre une mesure.

Branchement d'une sonde

1. Vérifier que l'écran affiche l'heure et la date correcte.
Remarque : L'horodatage d'une sonde s'effectue lors de la première connexion à l'appareil de mesure. Cet horodatage permet d'enregistrer l'historique de la sonde et le temps d'exécution de mesure.
2. Reliez la sonde à l'instrument (Figure 8).
3. Pousser et tourner l'écrou de verrouillage pour le serrer.

Figure 8 Connexion de la sonde




Fonctionnement standard

A propos de l'étalonnage

Chaque sonde utilise un type de solution d'étalonnage différent. Veuillez à étalonner les sondes fréquemment pour maintenir le niveau de précision le plus élevé.

Remarque : Pour des instructions pas à pas, consultez les documents inclus avec chaque sonde.


L'icône d'étalonnage  ? peut indiquer que :

- le délai de la minuterie d'étalonnage a expiré
- le capuchon du détecteur LDO doit être remplacé
- l'étalonnage est en dehors de la gamme
- les résultats de l'étalonnage sont en dehors des paramètres des critères d'acceptation

A propos des mesures d'échantillon

Chaque sonde a des étapes de préparation et procédures spécifiques pour prendre les mesures d'échantillons. Pour des instructions pas à pas, consulter les documents inclus avec la sonde.

A propos des standards de vérification

L'analyse des étalons de contrôle permet de vérifier la précision de l'instrument en mesurant une solution de valeur connue. L'appareil indique si le standard de vérification a donné un résultat correct ou non. Si la vérification de l'étalon de contrôle échoue, l'icône d'étalonnage  ? s'affiche jusqu'à ce que la sonde soit étalonnée.

L'appareil peut être réglé pour afficher automatiquement un rappel de mesure de standard de vérification à intervalle précis et critère d'acceptation spécifié. Le rappel, la valeur du standard de vérification et le critère d'acceptation sont modifiables. Pour des instructions pas à pas, consulter les documents inclus avec la sonde.

Utilisation d'un ID d'échantillon


L'étiquette d'ID d'échantillon permet d'associer des mesures à un emplacement spécifique. Les données enregistrées incluent cette identification de l'échantillon si elle est attribuée.

1. Presser la touche .
2. Sélection, création ou suppression d'un ID d'échantillon :

| Options | Descriptions |
|---|---|
| ID actuel | Sélectionner un ID dans une liste. L'ID en cours sera associé aux données d'échantillon jusqu'à la sélection d'un ID différent. |
| Créer un nouvel ID d'échantillon | Entrer un nom pour un nouvel ID d'échantillon. |
| Supprimer un ID d'échantillon | Supprime un ID d'échantillon existant. |

Utilisation d'un ID d'opérateur

L'étiquette d'ID d'opérateur associe les mesures à un opérateur particulier. Toutes les données enregistrées incluent cet ID.

1. Presser la touche .

2. Sélection, création ou suppression d'un ID d'opérateur :


| Options | Descriptions |
|---------------------------------------|---|
| ID actuel | Sélectionner un ID dans une liste. L'ID en cours sera associé aux données d'échantillon jusqu'à la sélection d'un ID différent. |
| Créer un nouvel ID d'opérateur | Entrer un nom pour un nouvel ID d'opérateur (le maximum est 10 noms pouvant être entrés). |
| Supprimer un ID d'opérateur | Supprime un ID d'opérateur existant. |

Gestion des données

A propos des données enregistrées



Les données des types ci-dessous sont enregistrées dans le journal des données :

- Mesures des échantillons : enregistrées automatiquement chaque fois qu'un échantillon est mesuré dans le mode Par appui sur une touche ou A intervalle. En mode de mesure continue, les données ne sont enregistrées que sur sélection de l'option Stocker.
- Etalonnages : enregistrés uniquement lors que l'option Enregistrer est sélectionnée à la fin d'un étalonnage. Les données d'étalonnage sont également enregistrées dans la sonde IntelliCAL (R).
- Mesures des étalons de contrôle : enregistrées automatiquement à chaque mesure d'un étalon de contrôle (en mode Par appui sur une touche ou A intervalle).

Quand le journal des données est plein (500 points de mesure), les plus anciens points de données sont supprimés lorsque de nouveaux points de données sont ajoutés. Il est possible de supprimer la totalité du journal des données pour supprimer des données déjà envoyées à une imprimante ou un PC (touche  > Supprimer les données). Pour éviter l'effacement du journal des données, utilisez le menu Options de sécurité.

Affichage des données enregistrées

Le journal des données contient les données d'échantillon, d'étalonnages et des étalons de contrôle. Le point de données le plus récent dans le journal est étiqueté Pt données 001.

1. Appuyer sur la touche .
2. Sélectionner Visualiser le journal des données pour consulter les données enregistrées. Les points de données les plus récents sont affichés. Le haut de l'écran indique si les données sont une valeur d'échantillon, d'étalonnage ou de standard de vérification. Appuyer sur la touche  pour afficher le point de données le plus récent suivant.

| Options | Descriptions |
|--------------------------------|--|
| Journal des mesures | Le Journal de lecture affiche des mesures d'échantillon, notamment l'heure, la date, les ID d'opérateur et d'échantillon. Sélectionner Détails pour afficher les données d'étalonnage associées. |
| Journal d'étalonnage | Le Journal d'étalonnage affiche les données d'étalonnage. Sélectionner Détails pour afficher des informations supplémentaires sur l'étalonnage. |
| Journal étalon contrôle | Le Journal étalon contrôle affiche les mesures des étalons de contrôle. Sélectionner Détails pour afficher les données d'étalonnage associées à la mesure. |

Affichage des données de sonde enregistrées

Vérifier qu'une sonde est reliée à l'appareil. Si deux sondes sont reliées, sélectionnez la sonde voulue quand vous y êtes invité.

1. Pour afficher les données d'étalonnage enregistrées dans une sonde, appuyer sur la touche  et sélectionner Afficher les

données de sonde. Il est possible de consulter l'étalonnage en cours et l'historique d'étalonnage de la sonde.

| Options | Descriptions |
|--|---|
| Affichage d'étalonnage en cours | Les informations d'étalonnage en cours indiquent les détails d'étalonnage les plus récents. Si la sonde n'a pas été étalonnée par l'utilisateur, ce sont les données d'étalonnage d'usine qui sont indiquées. |
| Affichage d'historique d'étalonnage | L'historique d'étalonnage affiche la liste des dates où la sonde a été étalonnée. Sélectionner une date et heure pour afficher un récapitulatif des données d'étalonnage. |

Impression des données enregistrées

L'appareil de mesure doit se brancher à l'alimentation secteur CA pour démarrer la connexion USB. Vérifier que la connexion à l'alimentation secteur est effectuée avant d'allumer l'appareil. Toutes les données peuvent être envoyées à une imprimante. L'imprimante Citizen PD-24 est compatible avec les appareils HQd et elle est conforme FCC chapitre 15B, classe B avec les appareils HQ. D'autres imprimantes peuvent ne pas être compatibles. Les imprimantes compatibles doivent assurer la prise en charge d'au minimum 72 colonnes de données, pouvoir imprimer jusqu'à 500 événements de flux de données en continu en 1, 2 et 3 lignes de texte et être totalement compatibles avec les pages de code 437 et 850.


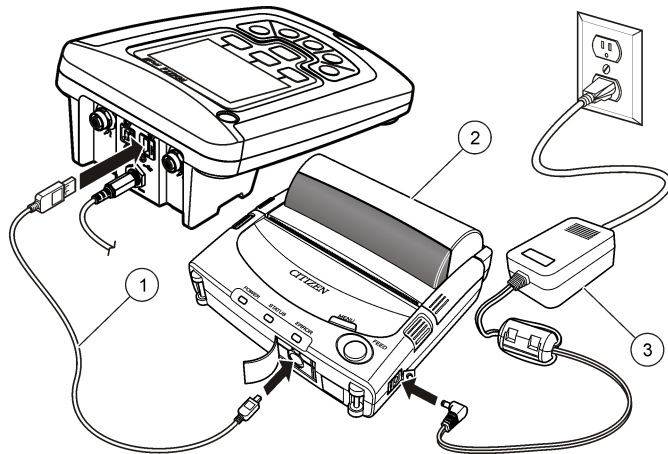
1. Arrêter l'appareil. Assurez-vous que l'instrument est branché à l'alimentation secteur. Reportez-vous à [Branchement sur alimentation CA](#) à la page 19.
2. Relier l'imprimante à l'instrument en utilisant un cordon USB de type A. Reportez-vous à [Figure 9](#).
3. Allumer l'appareil.
4. Appuyer sur la touche .
5. Sélectionner Envoyer le journal des données. Attendre que l'affichage indique "Transfert terminé" et attendre que l'imprimante cesse d'imprimer. Débrancher l'imprimante.

Figure 9 Connexion à l'imprimante



| | |
|---|--|
| 1 Câble USB | 3 Alimentation CA-CC de l'imprimante (en option) |
| 2 Imprimante Citizen, conforme FCC chapitre 15B, classe B | |

Modification des options de rapport

Les rapports imprimés pour les données d'échantillon peuvent contenir 1, 2 ou 3 lignes d'informations.

Des informations supplémentaires sont disponibles sur le site Web du fabricant.

1. Appuyer sur la touche . Sélectionner Options de rapport.
2. Sélectionner Type de rapport pour choisir une des options.

| Option | Description |
|-----------------|-----------------------|
| Rapport de base | Une ligne de données. |

| Option | Description |
|----------------|---|
| Rapport avancé | Deux lignes de données La première ligne contient les mêmes informations que le rapport de base. |
| Rapport total | Trois lignes de données Les deux premières lignes contiennent les mêmes informations que le rapport avancé. |

Envoi de données vers un périphérique de stockage USB

AVIS

Le transfert d'un grand nombre de points de données prend un certain temps. NE PAS débrancher le périphérique de stockage USB tant que le transfert n'est pas terminé.

Les données peuvent être transférées vers un périphérique de stockage USB pour stockage ou transfert vers un ordinateur.

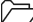
1. Arrêter l'appareil. Assurez-vous que l'instrument est branché à l'alimentation secteur.
2. Relier le périphérique de stockage USB à l'appareil de mesure avant de mettre l'instrument sous tension.
3. Allumer l'appareil.
4. Appuyer sur la touche .
5. Sélectionner Envoyer le journal des données. Attendre que l'affichage indique "Transfert terminé" et que les témoins éventuels sur le périphérique de stockage USB cessent de clignoter. Retirer ensuite le périphérique USB.

Remarque : Si le transfert de données est lent, reformater le périphérique de stockage de données USB pour utiliser le format FAT (file allocation table) pour l'utilisation suivante.

Envoi de données directement à un ordinateur


Les données peuvent être transférées directement depuis n'importe quel appareil série HQd vers un ordinateur quand l'application HQ40d PC est installée. Il est possible d'envoyer les données en temps réel pendant la collecte, ou d'envoyer la totalité du journal des données.

Pour télécharger la version la plus récente du logiciel, reportez-vous à la page du produit en question sur le site Web du fabricant.

1. Installation de l'application HQ40d PC sur l'ordinateur.
2. Arrêtez l'appareil. Assurez-vous que l'instrument est branché à l'alimentation secteur.
3. Relier l'appareil à un PC à l'aide d'un cordon USB de type B.
4. Allumer l'appareil.
5. Ouvrir l'application HQ40d PC sur l'ordinateur. Cliquer sur le triangle vert de la barre de menus pour démarrer une connexion.
6. Collecte de données en temps réel ou transfert de données depuis le journal des données :
 - Temps réel – quand un point de données est enregistré dans l'appareil, le résultat est envoyé simultanément à l'application PC. Des informations supplémentaires sont disponibles sur le site Web du fabricant.
 - Journal de données — appuyer sur la touche  et sélectionner Envoyer le journal des données. Attendre que l'affichage indique "Transfert terminé". Les données sont envoyées sous forme d'un fichier de valeurs séparées par des virgules (.csv).

Les données sont affichées dans la fenêtre d'application HQ40d PC.

Maintenance

| ▲ ATTENTION | |
|---|--|
|  | Dangers multiples. Seul le personnel qualifié doit effectuer les tâches détaillées dans cette section du document. |

Nettoyage de l'appareil de mesure

L'appareil de mesure est conçu pour être sans entretien et ne nécessite pas de nettoyage périodique en fonctionnement normal. Les surfaces extérieures de l'appareil peuvent être nettoyées si nécessaire.

1. Essuyer la surface de l'appareil avec un chiffon humide.
2. Utiliser un coton-tige pour nettoyer ou sécher les connecteurs.

Remplacer les piles

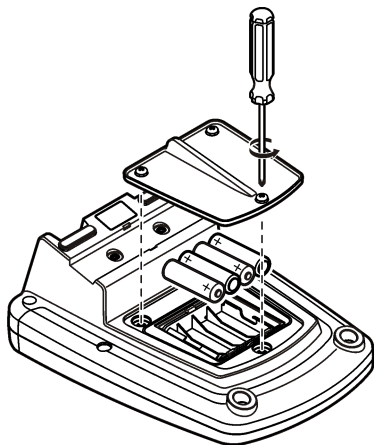
▲ AVERTISSEMENT

Risque d'explosion. Une installation incorrecte des piles peut libérer des gaz explosifs. Veillez à ce que les piles soient du même type chimique homologué et qu'elles soient insérées dans le bon sens. Ne mélangez pas des piles neuves et des piles usagées.

Pour le remplacement de la pile, consulter [Figure 10](#)

1. Desserrer les trois vis du capot des piles et retirer le capot ([Figure 10](#)).
Remarque : Ne retirez pas les vis du capot des piles.
2. Déposer les piles.
3. Installez 4 piles alcalines AA ou 4 piles rechargeables nickel métal hybride (NiMH) AA. Veillez à installer les piles en respectant leur polarité.
4. Reposez le capot des piles.
Remarque : Ne serrez pas excessivement les vis.

Figure 10 Remplacement de la batterie.



Dépannage

Consulter le tableau ci-dessous des messages ou symptômes les plus courants, pour trouver les causes possibles et actions correctives.

| Erreur/Avertissement | Description | Solution |
|----------------------------------|---|---|
| Brancher une sonde | Sonde débranchée ou mal branchée | Serrer l'écrou de verrouillage sur le connecteur de la sonde. Débranchez, puis rebranchez la sonde |
| | Logiciel non mis à jour vers la version la plus récente | Pour télécharger la version la plus récente du logiciel, reportez-vous à la page du produit en question sur le site Web du fabricant. |
| | Problème avec la sonde | Brancher une autre sonde IntelliCAL pour vérifier si le problème provient de la sonde ou de l'appareil |
| Sonde non prise en charge | Sonde débranchée ou mal branchée | Serrer l'écrou de verrouillage sur le connecteur de la sonde. Débranchez, puis rebranchez la sonde. |
| | Logiciel non mis à jour vers la version la plus récente | Pour télécharger la version la plus récente du logiciel, reportez-vous à la page du produit en question sur le site Web du fabricant. |
| | Problème avec la sonde | Brancher une autre sonde IntelliCAL à l'appareil pour vérifier si le problème provient de la sonde ou de l'appareil. |
| | L'appareil HQd n'assure pas la prise en charge de la sonde IntelliCAL | Appeler l'Assistance technique. |

| Erreur/Avertissement | Description | Solution |
|--|---|--|
| Erreur Bootloader X.X.XX.xx | Logiciel non mis à jour pour la version la plus récente. | Pour télécharger la version la plus récente du logiciel, reportez-vous à la page du produit en question sur le site Web du fabricant. |
| Message 0 jour restant (pour LDO et LBOD) | Capuchon de capteur LDO ou LBOD utilisé 365 jours | Remplacez le capuchon de capteur LDO ou LBOD et le bouton en I®. |
| | Il reste 0 jour de durée de vie pour le capuchon de la sonde LDO. | Remplacer le capuchon de sonde LDO. Un étalonnage sera possible, mais l'icône d'étalonnage avec un point d'interrogation apparaîtra sur l'écran de mesure, même si l'étalonnage a réussi. |
| | Date et heure de l'appareil incorrectes | <ol style="list-style-type: none"> Débrancher la sonde de l'appareil. Retirer les piles de l'appareil. Installez les piles de l'appareil de la façon appropriée. Respectez les repères de polarité. Régler la date et l'heure correctes dans l'appareil. Brancher la sonde et vérifier que le message a été supprimé. |
| | Logiciel non mis à jour vers la version la plus récente | Pour télécharger la version la plus récente du logiciel, reportez-vous à la page du produit en question sur le site Web du fabricant. |

| Erreur/Avertissement | Description | Solution |
|--|---|--|
| Appareil non configuré | Erreur(s) logicielle(s) | Si l'appareil démarre correctement, sauvegarder le journal des données et les fichiers de méthode. Pour télécharger la version la plus récente du logiciel, reportez-vous à la page du produit en question sur le site Web du fabricant. |
| L'appareil ne s'allume pas ou s'allume de façon intermittente | Les piles ne sont pas installées correctement | Vérifier l'orientation des piles par rapport aux repères de polarité. Refaire un essai. Nettoyer les bornes des piles, et installer des piles neuves. |
| | | Brancher l'adaptateur secteur et refaire un essai. |
| | Logiciel non mis à jour vers la version la plus récente | Pour télécharger la version la plus récente du logiciel, reportez-vous à la page du produit en question sur le site Web du fabricant. |
| | Appareil endommagé | Appeler l'Assistance technique. |
| Impossible d'accéder à l'écran d'options d'accès complet | Le mot de passe correct n'a pas été saisi | Appeler l'Assistance technique. |
| Impossible d'accéder à l'écran d'options d'accès complet ou d'accès opérateur | Logiciel non mis à jour pour la version la plus récente | Pour télécharger la version la plus récente du logiciel, reportez-vous à la page du produit en question sur le site Web du fabricant. |

Índice de contenidos

[Especificaciones](#) en la página 30
[Información general](#) en la página 20
[Instalación](#) en la página 33
[Interfaz del usuario y navegación](#)
en la página 35
[Puesta en marcha](#) en la página 36

[Funcionamiento estándar](#)
en la página 37
[Gestión de datos](#) en la página 38
[Mantenimiento](#) en la página 41
[Solución de problemas](#)
en la página 42

Especificaciones

Las especificaciones están sujetas a cambios sin previo aviso.

| Especificación | Detalles |
|--------------------------------------|---|
| Dimensiones | 17,48 x 8,59 x 23,5 cm (6,88 x 3,38 x 9,25 pulg.) |
| Peso | 750 g (1,65 lb) sin baterías |
| Carcasa del medidor | IP54 con tapa de las pilas colocada (hermética al polvo y la pulverización de agua) |
| Requisitos de alimentación (interna) | Pilas alcalinas AA o pilas de hidruro metálico de níquel recargables (NiMH) (4); duración de las pilas: hasta 200 horas |
| Requisitos de alimentación (externa) | Adaptador de corriente externa de clase III: 100–240 V CA, entrada de 50/60 Hz; salida de 4,5 a 7,5 V CC (7 VA) |
| Clase de protección del medidor | Clase I |
| Temperatura de almacenamiento | –20 a +60 °C (–4 a +140 °F) |
| Temperatura de servicio | 5 a 45 °C (41 a 113 °F) |
| Humedad de funcionamiento | 90% (sin condensación) |
| Conector de entrada de 5 patillas | Conector M12 para sondas IntelliCAL™ |

| Especificación | Detalles |
|---------------------------------|---|
| Memoria de datos (interna) | 500 resultados |
| Almacenamiento de datos | Automático en modo Pulsar para analizar y modo Intervalo. Manual en el modo Lectura continua |
| Exportación de datos | Conexión USB al PC o al dispositivo de almacenamiento USB (limitado a la capacidad del dispositivo de almacenamiento). Transferencia de todo el registro de datos o conforme se toman las lecturas. |
| Conexiones | USB de tipo A integrado (para dispositivo de memoria flash USB, impresora y teclado) y USB de tipo B integrado (para PC) |
| Corrección de temperatura | Apagado, automático y manual (dependiendo del parámetro) |
| Bloqueo de pantalla de medición | Modo de medición Continua, Intervalo o Pulsar para analizar. Función de promediado para sondas LDO. |
| Teclado | Conector de teclado de PC externo con adaptador USB/CC |

Información general

Las ediciones revisadas se encuentran en la página web del fabricante.

Información de seguridad

AVISO

El fabricante no es responsable de ningún daño debido a un mal uso de este producto incluyendo, sin limitación, daños directos, fortuitos o circunstanciales y reclamos sobre los daños que no estén recogidos en la legislación vigente. El usuario es el responsable de la identificación de los riesgos críticos y de tener los mecanismos adecuados de protección de los procesos en caso de un posible mal funcionamiento del equipo.

Lea todo el manual antes de desembalar, instalar o trabajar con este equipo. Ponga atención a todas las advertencias y avisos de peligro. El no hacerlo puede provocar heridas graves al usuario o daños al equipo.

Asegúrese de que la protección proporcionada por el equipo no está dañada. No utilice ni instale este equipo de manera distinta a lo especificado en este manual.

Uso de la información sobre riesgos

| |
|--|
| ⚠ PELIGRO |
| Indica una situación potencial o de riesgo inminente que, de no evitarse, provocará la muerte o lesiones graves. |
| ⚠ ADVERTENCIA |
| Indica una situación potencial o inminentemente peligrosa que, de no evitarse, podría provocar la muerte o lesiones graves. |
| ⚠ PRECAUCIÓN |
| Indica una situación potencialmente peligrosa que podría provocar una lesión menor o moderada. |
| AVISO |
| Indica una situación que, si no se evita, puede provocar daños en el instrumento. Información que requiere especial énfasis. |

Etiquetas de precaución

Lea todas las etiquetas y rótulos adheridos al instrumento. En caso contrario, podrían producirse heridas personales o daños en el instrumento. El símbolo que aparezca en el instrumento se comentará en el manual con una declaración de precaución.

| | |
|--|--|
| | Este símbolo (en caso de estar colocado en el equipo) hace referencia a las instrucciones de uso o a la información de seguridad del manual. |
| | Este símbolo indica que la pieza marcada podría estar caliente y que debe tocarse con precaución. |
| | El equipo eléctrico marcado con este símbolo no se podrá desechar por medio de los sistemas europeos públicos de eliminación después del 12 de agosto de 2005. De acuerdo con las regulaciones locales y nacionales europeas (Directiva UE 2002/96/EC), ahora los usuarios de equipos eléctricos en Europa deben devolver los equipos viejos o que hayan alcanzado el término de su vida útil al fabricante para su eliminación sin cargo para el usuario. <i>Nota: Para devolver equipos para su reciclaje, póngase en contacto con el fabricante o distribuidor para así obtener instrucciones acerca de cómo devolverlos y desecharlos correctamente. Esto es aplicable a equipos que hayan alcanzado el término de su vida útil, accesorios eléctricos suministrados por el fabricante o distribuidor y todo elemento auxiliar.</i> |

Descripción general del producto

Los medidores de laboratorio de la serie HQd se usan con sondas digitales IntelliCAL™ para medir diversos parámetros en agua. El medidor reconoce automáticamente el tipo de sonda que se le conecta. Los datos de la medición se pueden guardar y transferir a una impresora, PC o dispositivo de almacenamiento USB (consulte [Figura 1](#)).

Los medidores de la serie HQd se encuentran disponibles en 3 modelos:

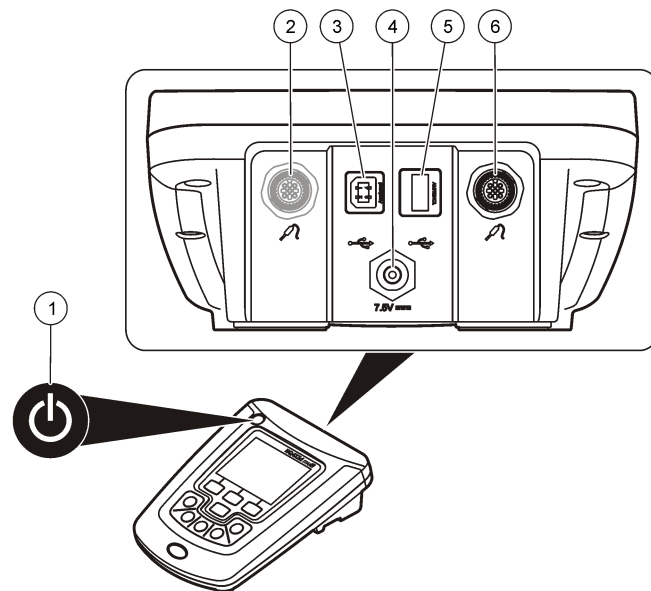
- HQ411d: pH/mV/ORP (Redox)
- HQ430d: entrada de sonda única de varios parámetros
- HQ440d: entradas de sonda dobles de varios parámetros

Características comunes de todos los modelos:

- Reconocimiento de parámetros y sonda automáticos
- Procedimientos de calibración de instrumentos guiados
- Datos de calibración almacenados en la sonda

- Configuración del método específica de la sonda para cumplir las normativas y la práctica GLP (Good Laboratory Practice, Buenas prácticas de laboratorio)
- Opciones de seguridad
- Registro de datos en tiempo real con una conexión USB
- Conectividad USB con PC, impresora, dispositivo de almacenamiento interno, teclado
- Comunicación bidireccional con sistemas basados en PC con una conexión de puerto serie virtual
- ID de muestra e ID de operador para la trazabilidad de los datos
- Apagado automático ajustable

Figura 1 Descripción general del producto

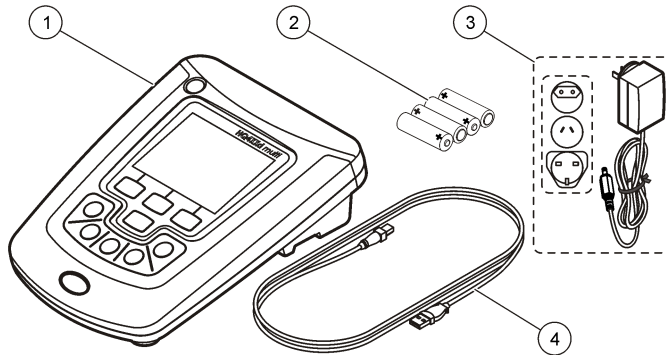


| | |
|---|--|
| 1 ON/OFF: encendido o apagado del medidor | 4 Conector de alimentación de CC |
| 2 Puerto de conexión de la sonda (sólo modelo HQ440d) | 5 Conector USB de tipo A (para dispositivo de almacenamiento USB, impresora y teclado) |
| 3 Conector USB de tipo B (para conexiones de PC) | 6 Puerto de conexión de la sonda |

Componentes del producto

Consulte la [Figura 2](#) para asegurarse de que se han recibido todos los componentes. Si faltan artículos o están dañados, póngase en contacto con el fabricante o el representante de ventas inmediatamente.

Figura 2 Componentes del medidor

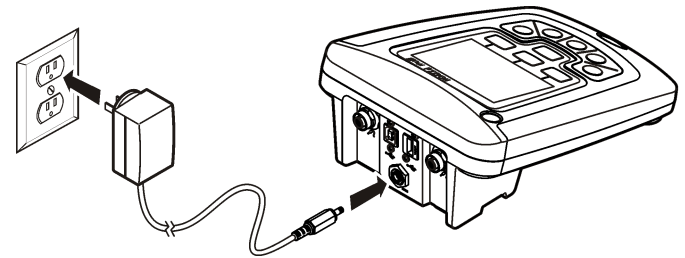


| | |
|-----------------------------------|---|
| 1 Medidor HQ440d, HQ430d o HQ411d | 3 Adaptador de corriente universal |
| 2 Pilas AA (paquete/4) | 4 Cable USB (sólo modelos HQ440d, HQ430d) |

El medidor puede utilizar alimentación de CA con el adaptador de corriente universal.

1. Apague el medidor.
2. Seleccione el conector del adaptador correcto para la toma de alimentación en el kit del adaptador (Figura 3).
3. Conecte el adaptador de corriente universal al medidor.
4. Conecte el adaptador de corriente universal a un receptáculo de CA.
5. Encienda el medidor.

Figura 3 Conexión de la alimentación de CA



Instalación

⚠ PRECAUCIÓN



Peligros diversos. Sólo el personal cualificado debe realizar las tareas descritas en esta sección del documento.

Conexión a la alimentación de CA

⚠ PELIGRO



Peligro de electrocución. Las tomas de alimentación de CA que se encuentren en lugares mojados o potencialmente mojados deberán suministrarse SIEMPRE con un disyuntor de interrupción de circuito por falla a tierra (GFCI/GFI). El adaptador de alimentación CA-CC de este producto no está sellado y no se debe usar en bancos mojados o en lugares mojados sin protección GFCI.

Instalación de las pilas

▲ ADVERTENCIA

Peligro de explosión. Si las pilas no están colocadas correctamente, se puede producir la liberación de gases explosivos. Asegúrese de que las pilas son del mismo tipo y material químico aprobado y están insertadas en el sentido correcto. No mezcle pilas nuevas y usadas.

AVISO

El compartimento de las pilas no es estanco al agua. Si se moja, retire y seque las pilas y seque cuidadosamente el interior del compartimiento. Compruebe los contactos de las pilas y límpielos si es necesario.

AVISO

Cuando use pilas de hidruro metálico de níquel (NiMH), el icono de pilas no le indicará una carga completa después de haber insertado pilas nuevas (las pilas de NiMH son de 1,2 V y las pilas alcalinas son de 1,5 V). Aunque el icono no indique carga completa, las pilas de NiMH de 2300 mAh alcanzarán el 90% de la vida útil del instrumento (antes de la recarga) en comparación con las pilas alcalinas nuevas.

AVISO

Para evitar posibles daños en el medidor debidos a fugas de las pilas, retírelas durante los períodos largos de inactividad.

El medidor puede alimentarse con pilas alcalinas AA o con pilas recargables de NiMH. Para prolongar la duración de las pilas, el medidor se apagará después de 5 minutos de inactividad. Este tiempo se puede cambiar en el menú Opciones de visualización.

Para la instalación de las pilas consulte la [Figura 4](#).

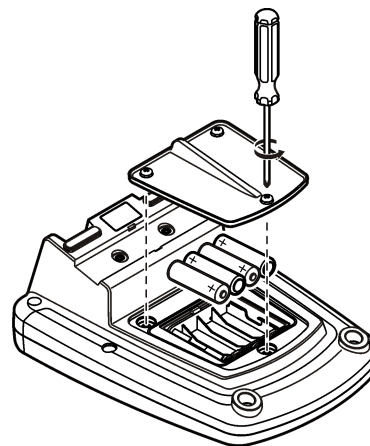
1. Suelte los tres tornillos de la tapa de las pilas y retire la tapa.

Nota: No retire los tornillos de la tapa de las pilas.

2. Coloque 4 pilas alcalinas AA o 4 pilas de hidruro metálico de níquel (NiMH). Procure colocar las pilas con la polaridad correcta.
3. Vuelva a colocar la tapa.

Nota: No ajuste los tornillos en forma excesiva.

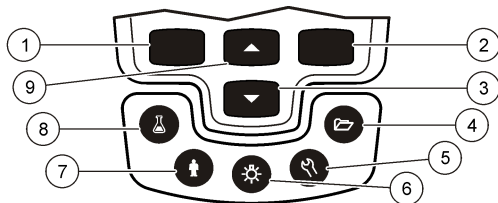
Figura 4 Instalación de las pilas



Interfaz del usuario y navegación

Interfaz del usuario

Figura 5 Descripción del teclado



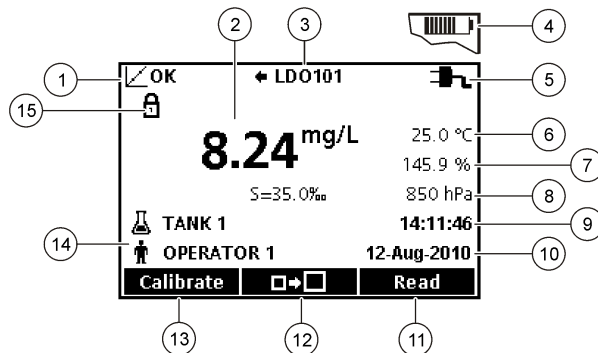
| | |
|--|--|
| 1 Tecla IZQUIERDA: calibra, cancela o sale del menú actual | 6 ILUMINACIÓN: desactiva la iluminación de la pantalla |
| 2 Tecla DERECHA: lee, selecciona, confirma o guarda datos | 7 ID de usuario: datos asociados con una persona. |
| 3 Tecla ABAJO: permite desplazarse por los menús, introducir números y letras, o cambiar la vista de la pantalla de lectura | 8 ID muestra Manual: datos asociados con una ubicación de muestra. |
| 4 REGISTRO DE DATOS: para abrir o transferir almacenados. | 9 Tecla ARRIBA: permite desplazarse por los menús, introducir números y letras, o cambiar la vista de la pantalla de lectura |
| 5 OPCIONES DEL MEDIDOR: cambio de la configuración, ejecución de comprobaciones de estándar, visualización de información del medidor. | |

Descripción de la pantalla

Pantalla de medición

La pantalla del medidor muestra la concentración, unidades, temperatura, el estado de calibración, ID del operador, ID de la muestra, la fecha y la hora (Figura 6).

Figura 6 Pantalla única



| | |
|--|---|
| 1 Indicador del estado de calibración | 9 Hora |
| 2 Valor y unidad de medición principales | 10 Fecha |
| 3 Tipo de sonda IntelliCAL e indicador de puerto | 11 Medición (OK, Seleccionar) |
| 4 Estado de la batería | 12 Icono de tamaño de la pantalla |
| 5 Fuente de energía | 13 Calibrar (Cancelar, Sair) |
| 6 Temperatura de la muestra (°C o °F) | 14 Identificación de muestra y operador |
| 7 Unidad de medición secundaria | 15 Indicador de estabilidad o bloqueo de pantalla |
| 8 Unidades terciarias (para algunas sondas) | |

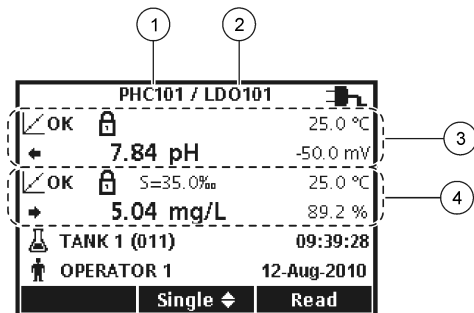
Modo de pantalla doble (sólo modelo HQ440d)

Cuando se conecten dos sondas al medidor HQ440d, la pantalla puede mostrar la lectura de las dos sondas simultáneamente o mostrar solamente una sonda (Figura 7).

Nota: Para calibrar la sonda, cambie el modo de pantalla al modo de pantalla única.

Para cambiar el modo de pantalla a pantalla única o doble, utilice las teclas \triangle y ∇ . En el modo de pantalla doble, la tecla \triangle selecciona la sonda de la izquierda y la tecla ∇ la sonda de la derecha.

Figura 7 Pantalla doble



Navegación

El medidor contiene menús para cambiar varias opciones. Utilice las teclas \triangle y ∇ para resaltar las diferentes opciones. Pulse la tecla DERECHA para seleccionar una opción. Existen dos formas de cambiar las opciones:

1. Seleccione una opción de la lista: use las teclas \triangle y ∇ para seleccionar una opción. Si se muestran casillas de verificación, se puede seleccionar más de una opción. Pulse la tecla IZQUIERDA bajo Seleccionar.

Nota: Para desactivar las casillas de verificación, pulse la tecla IZQUIERDA debajo de Eliminar.

2. Introduzca un valor de opción usando las teclas de flechas: Pulse las teclas \triangle y ∇ para introducir o cambiar un valor.

3. Pulse la tecla DERECHA para avanzar al siguiente espacio.
4. Pulse la tecla DERECHA bajo OK para aceptar el valor.

Puesta en marcha

Encienda y apague el medidor

Pulse la tecla ⏻ para encender o apagar el medidor. Si el medidor no se enciende, asegúrese de que la fuente de alimentación de CA está conectada correctamente a una toma eléctrica o que las pilas están bien colocadas.

Cambio del idioma

El idioma de visualización se selecciona cuando se enciende el medidor por primera vez. El idioma también se puede cambiar desde el menú Opciones del medidor.

El acceso al menú del idioma se puede restringir con las Opciones de seguridad.


En el sitio web del fabricante encontrará información adicional.







1. Pulse la tecla ⌨ y seleccione Idioma.
2. Seleccione un idioma de la lista.

Nota: Mientras enciende el medidor, también puede cambiar el idioma manteniendo pulsada la tecla de alimentación.

Cambio de la fecha y la hora

La fecha y la hora se pueden cambiar desde el menú Fecha y hora.

1. Pulse la tecla , y seleccione Fecha y hora.
2. Actualización de la información de fecha y hora:

| Opción | Descripción |
|----------------|--|
| Formato | Seleccione uno de los siguientes formatos para la fecha y la hora. Utilice las teclas  y  para seleccionar las opciones de formatos. |
| | dd-mm-aaaa 24h |
| | dd-mm-aaaa 12h |
| | mm/dd/aaaa 24h |
| | mm/dd/aaaa 12h |
| | dd-mmm-aaaa 24h |
| | dd-mmm-aaaa 12h |
| | aaaa-mm-dd 24h |
| | aaaa-mm-dd 12h |
| Fecha | Utilice las teclas  y  para introducir la fecha actual. |
| Hora | Utilice las teclas  y  para introducir la hora actual. |

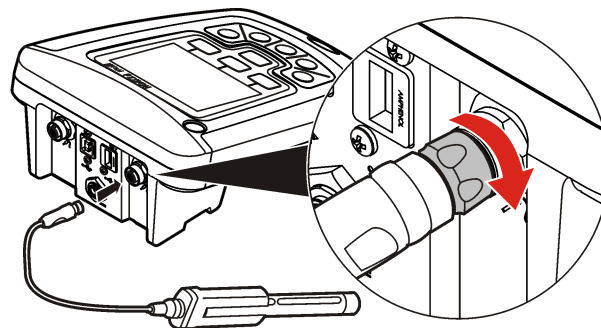
La fecha y hora actuales se mostrarán en la pantalla.

Conecte una sonda después de configurar la fecha y hora para preparar el medidor para realizar una medición.

Conexión de las sondas

1. Asegúrese de que la pantalla muestra la fecha y hora actuales.
Nota: El sello de tiempo de las sondas se fija cuando se conecta por primera vez al medidor. Este sello de tiempo hace posible registrar la historia de la sonda y el tiempo que se hacen mediciones.
2. Conecte la sonda al medidor (Figura 8).
3. Presione y gire la tuerca de bloqueo para apretar.

Figura 8 Conexión de la sonda



Funcionamiento estándar

Acerca de la calibración

Cada sonda utiliza un tipo diferente de solución de calibración. Procure calibrar las sondas con frecuencia para mantener el máximo nivel de precisión.

Nota: Para ver instrucciones paso a paso, consulte los documentos que se incluyen con cada sonda.


El icono de calibración  ? puede indicar que:

- el temporizador de la calibración ha vencido
- hay que sustituir el tapón del sensor LDO
- la calibración está fuera de escala
- los resultados de la calibración no se ajustan a la configuración de los criterios de aceptación

Acerca de las mediciones de muestras

Cada sonda tiene unos pasos y procedimientos específicos de preparación para llevar a cabo las mediciones de muestras. Para ver instrucciones paso a paso, consulte los documentos que se incluyen con cada sonda.


Acerca de los patrones de control

La opción Ejecutar comprobación del patrón verifica la precisión del equipo midiendo una solución de valor conocido. El medidor indicará si se ha superado o no la comprobación del patrón. Si la comprobación del patrón, aparece el icono de calibración  hasta que se calibre la sonda.

El medidor se puede ajustar para mostrar automáticamente un recordatorio para la medición del estándar de comprobación a intervalos especificados con unos determinados criterios de aceptación. El recordatorio, el valor del estándar de comprobación y los criterios de aceptación se pueden cambiar. Para ver instrucciones paso a paso, consulte los documentos que se incluyen con cada sonda.

Uso de un ID de la muestra

La etiqueta ID de la muestra se usa para asociar mediciones con ubicaciones de muestras en particular. Si se asocian, los datos guardados incluirán el ID de muestra.

1. Pulse la tecla .
2. Seleccione, cree o borre el ID de la muestra:

| Opción | Descripción |
|-------------------------------------|--|
| ID actual | Seleccione un ID de una lista. El ID actual se asociará con los datos de la muestra hasta que se seleccione un ID diferente. |
| Crear nuevo ID de la muestra | Introducir un nombre para una ID de muestra nueva |
| Borrar ID de muestra | Borrar un ID de muestra existente |

Utilización de un ID de usuario

La etiqueta de ID de operador asocia mediciones con un operador en concreto. Todos los datos almacenados incluirán este ID de operador.

1. Pulse la tecla .

2. Seleccione, cree o borre un ID del usuario:


| Opción | Descripción |
|----------------------------------|--|
| ID actual | Seleccione un ID de una lista. El ID actual se asociará con los datos de la muestra hasta que se seleccione un ID diferente. |
| Crear nuevo ID de usuario | Introducir un nombre para un ID de operador nuevo (pueden ingresarse 10 nombres como máximo) |
| Borrar ID de usuario | Eliminar un ID de usuario existente |

Gestión de datos

Acerca de los datos guardados



En el registro de datos se almacenan los siguientes tipos de datos:

- Mediciones de muestras: se guardan automáticamente cada vez que se mide una muestra en el modo Pulsar para analizar o Intervalo. Cuando se usa el modo de medición continua, los datos se guardan solamente cuando se selecciona Guardar.
- Calibraciones: se guardan solamente cuando se selecciona Guardar al final de las calibraciones. Los datos de calibración también se guardan en la sonda IntelliCAL (R).
- Mediciones de patrones de control: se guardan automáticamente cada vez que se mide un patrón de control (en el modo Pulsar para analizar o Intervalo).

Cuando se llena el registro de datos (500 puntos de datos), los puntos de datos más antiguos se borran cuando se agrega un nuevo punto de datos. Se puede borrar todo el registro de datos para eliminar los datos que ya se hayan enviado a la impresora o al PC (tecla  > Eliminar registro de datos). Para evitar que un usuario borre el registro de datos, utilice el menú Opciones de seguridad.

Ver datos guardados


El registro de datos contiene datos de muestras, calibraciones y patrón de control. El punto de datos más reciente en el registro de datos se etiqueta como Punto de datos 001.

1. Pulse la tecla .
2. Seleccione Ver registro de datos para visualizar los datos guardados. Se muestra el punto de datos más reciente. La parte superior de la pantalla muestra si los datos son de una lectura de muestra, una calibración o un estándar de comprobación. Pulse la tecla  para ver el siguiente punto de datos más reciente.

| Opción | Descripción |
|--------------------------------|--|
| Registro de medición | Registro lectura: muestra las mediciones de muestra, incluyendo la hora, la fecha y el ID de operador y de muestra. Seleccione Detalles para ver los datos de calibración asociados. |
| Registro de calibración | Registro calibración: muestra los datos de calibración. Seleccione Detalles para ver información adicional acerca de la calibración. |
| Registro patrón control | Registro patrón control: muestra las mediciones del patrón de control. Seleccione Detalles para ver los datos de calibración que se asociaron con la medición. |

Visualización de datos de sonda guardados

Asegúrese de que la sonda está conectada al medidor. Si hay dos sondas conectadas, seleccione la sonda adecuada cuando se le indique.

1. Para ver los datos de calibración que están guardados en una sonda, pulse la tecla  y seleccione Ver datos de sonda. Se

puede ver la calibración actual y el histórico de calibraciones de la sonda.

| Opción | Descripción |
|---------------------------------------|--|
| Ver calibración actual | La información de la calibración actual muestra los detalles de la calibración más reciente. Si el usuario todavía no ha calibrado la sonda, se mostrarán los datos de calibración de fábrica. |
| Ver histórico de calibraciones | El histórico de calibraciones muestra una lista de las veces que se calibró la sonda. Seleccione una fecha y una hora para ver el resumen de los datos de calibración. |

Imprimir datos guardados

El medidor se debe conectar a la fuente de alimentación de CA para iniciar la conexión USB. Asegúrese de realizar la conexión a la alimentación de CA antes de encender el medidor. Se pueden enviar todos los datos a la impresora. La impresora PD-24 Citizen es compatible con los medidores HQd y cumple con la FCC Apartado 15B, Clase B, de los medidores HQ. Es posible que otras impresoras no sean compatibles. Las impresoras compatibles deben admitir un mínimo de 72 columnas de datos, ser capaces de imprimir hasta 500 casos de flujos de datos continuos en 1, 2 y 3 líneas de texto y ser totalmente compatibles con la página de códigos 437 y la página de códigos 850.


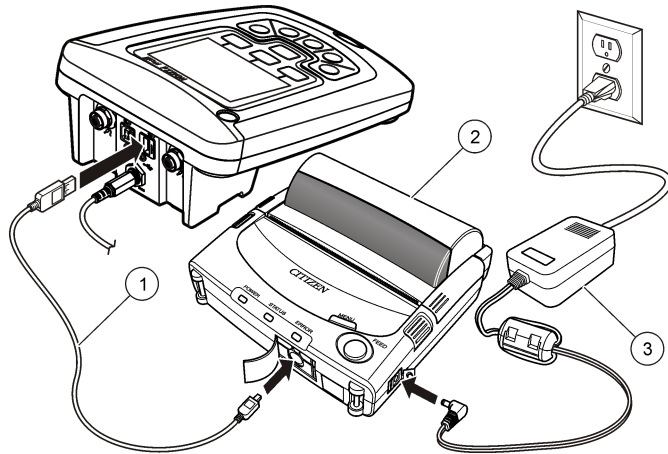
1. Apague el medidor. Asegúrese de que el medidor está conectado a la fuente de alimentación de CA. Consulte [Conexión a la alimentación de CA](#) en la página 33.
2. Conecte la impresora al medidor con un cable USB del tipo A. Consulte [Figura 9](#).
3. Encienda el medidor.
4. Pulse la tecla .
5. Seleccione Enviar registro de datos. Espere a que la pantalla muestre "Transferencia completa" y a que la impresora deje de imprimir. Desconecte la impresora.

Figura 9 Conexión a la impresora



| | |
|--|--|
| 1 Cable USB | 3 Fuente de alimentación de CA/CC para la impresora (opcional) |
| 2 Impresora Citizen, cumple con la FCC Apartado 15B, Clase B | |

Cambio de las opciones de informe

Los informes impresos de los datos de muestras pueden contener 1, 2 o 3 líneas de información.

En el sitio web del fabricante encontrará información adicional.

1. Pulse la tecla . Seleccione Opciones de informe.
2. Seleccione Tipo de informe y una de las opciones.

| Opción | Descripción |
|----------------|---------------------|
| Informe básico | Una línea de datos. |

| Opción | Descripción |
|------------------|---|
| Informe avanzado | Dos líneas de datos. La primera línea contiene la misma información que el informe básico. |
| Informe total | Tres líneas de datos. Las dos primeras líneas contienen la misma información que el informe avanzado. |

Envío de datos a un dispositivo de almacenamiento USB

AVISO

La transferencia de un gran número de puntos de datos llevará tiempo. NO desconecte el dispositivo de almacenamiento USB hasta que se complete la transferencia.

Los datos se pueden transferir a un dispositivo de almacenamiento USB para guardarlos o transferirlos a un ordenador.


1. Apague el medidor. Asegúrese de que el medidor está conectado a la fuente de alimentación de CA.
2. Conecte el dispositivo de almacenamiento USB al medidor antes de encender el medidor.
3. Encienda el medidor.
4. Pulse la tecla .
5. Seleccione Enviar registro de datos. Espere a que la pantalla muestre "Transferencia completa" y a que dejen de parpadear todos los indicadores luminosos del dispositivo de almacenamiento. A continuación, quite el dispositivo USB.

Nota: Si la transferencia de datos es lenta, vuelva a formatear el dispositivo de almacenamiento para usar el formato de tabla de asignación de archivos (FAT) en el siguiente uso.

Envío de datos directamente a un ordenador

Los datos se pueden transferir desde cualquier medidor de la serie HQd directamente a un ordenador si se instala la aplicación de PC HQ40d. Los datos se pueden enviar en tiempo real durante su recogida o también se puede transferir todo el registro de datos.

Para descargar la versión más reciente del software, consulte la información sobre el producto en el sitio web del fabricante.

1. Instale la aplicación de PC HQ40d en el ordenador.
2. Apague el medidor. Asegúrese de que el medidor está conectado a la fuente de alimentación de CA.
3. Conecte el PC al medidor con un cable USB de tipo B.
4. Encienda el medidor.
5. Abra la aplicación de PC HQ40d en el ordenador. Haga clic en el triángulo verde de la barra de menús para iniciar una conexión.
6. Recoja los datos en tiempo real o transfíralos desde el registro de datos:
 - Tiempo real: cuando se guarda un punto de datos en el medidor, el resultado se envía simultáneamente a la aplicación de PC. En el sitio web del fabricante encontrará información adicional.
 - Registro de datos: pulse la tecla  y seleccione Enviar registro de datos. Espere hasta que la pantalla muestre "Transferencia completa". Los datos se envían como un archivo de valores separados por coma (.csv).

Los datos se muestran en la ventana de la aplicación de PC HQ40d.

Mantenimiento

⚠ PRECAUCIÓN



Peligros diversos. Sólo el personal cualificado debe realizar las tareas descritas en esta sección del documento.

Limpie el medidor.

El medidor está diseñado para no necesitar mantenimiento y no requiere una limpieza regular para su normal funcionamiento. Las superficies exteriores se pueden limpiar conforme se precise.

1. Frótelas con un paño húmedo.
2. Utilice un aplicador con punta de algodón para limpiar o secar los conectores.

Cambio de las pilas

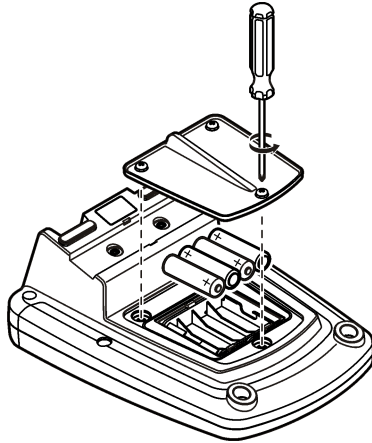
⚠ ADVERTENCIA

Peligro de explosión. Si las pilas no están colocadas correctamente, se puede producir la liberación de gases explosivos. Asegúrese de que las pilas son del mismo tipo y material químico aprobado y están insertadas en el sentido correcto. No mezcle pilas nuevas y usadas.

Para la instalación de las pilas, consulte la [Figura 10](#).

1. Suelte los tres tornillos de la tapa de las pilas y retire la tapa ([Figura 10](#)).
Nota: No retire los tornillos de la tapa de las pilas.
2. Extraiga las baterías usadas.
3. Coloque 4 pilas alcalinas AA o 4 pilas de hidruro metálico de níquel (NiMH). Procure colocar las pilas con la polaridad correcta.
4. Vuelva a colocar la tapa.
Nota: No ajuste los tornillos en forma excesiva.

Figura 10 Cambio de la batería



Solución de problemas

Consulte la siguiente tabla para ver los mensajes o síntomas de los problemas comunes, las posibles causas y acciones correctivas.

| Error/advertencia | Descripción | Solución |
|--|--|--|
| Conexión a una sonda | Sonda desconectada o conectada incorrectamente | Apriete la tuerca de bloqueo del conector de la sonda. Desconecte la sonda y después conéctela de nuevo |
| | Software sin actualizar a la versión más actual | Para descargar la versión más reciente del software, consulte la información sobre el producto en el sitio web del fabricante. |
| | Problema con la sonda | Conecte una sonda IntelliCAL diferente para verificar si el problema es con la sonda o con el medidor |
| Sonda incompatible | Sonda desconectada o conectada incorrectamente | Apriete la tuerca de bloqueo del conector de la sonda. Desconecte la sonda y después conéctela de nuevo. |
| | Software sin actualizar a la versión más actual | Para descargar la versión más reciente del software, consulte la información sobre el producto en el sitio web del fabricante. |
| | Problema con la sonda | Conecte una sonda IntelliCAL diferente al medidor para verificar si el problema es con el medidor o con la sonda. |
| | El medidor HQd es incompatible con la sonda IntelliCAL | Contáctese con Soporte Técnico. |
| Error X.X.XX.XX de cargador de arranque | Software sin actualizar a la versión más actual. | Para descargar la versión más reciente del software, consulte la información sobre el producto en el sitio web del fabricante. |

| Error/advertencia | Descripción | Solución |
|---|---|---|
| Mensaje Quedan 0 días (solo para LDO y LBOD) | La cápsula del sensor de la LDO o LBOD se usa para 365 días | Vuelva a colocar la tapa del sensor de la LDO o LBOD y el botón iButton®. |
| | Quedan 0 días de duración para la cápsula del sensor LDO. | Cambie la tapa del sensor de LDO. Se permitirá la calibración. No obstante, aparecerá el icono de calibración y un signo de interrogación en la pantalla de medición incluso si se ha pasado la calibración. |
| | Medidor ajustado con una fecha y hora incorrectas | <ol style="list-style-type: none"> 1. Desconecte la sonda del medidor. 2. Extraiga las pilas del medidor. 3. Coloque las pilas del medidor correctamente. Siga las marcas de polaridad. 4. Ajuste la fecha y hora correctas en el medidor. 5. Conecte la sonda y verifique que se ha quitado el mensaje. |
| | Software sin actualizar a la versión más actual | Para descargar la versión más reciente del software, consulte la información sobre el producto en el sitio web del fabricante. |

| Error/advertencia | Descripción | Solución |
|--|---|---|
| Medidor sin configurar | Error o errores de software | Si el medidor arranca correctamente, haga una copia de seguridad de los archivos del registro de datos y los métodos. Para descargar la versión más reciente del software, consulte la información sobre el producto en el sitio web del fabricante. |
| El medidor no se enciende o se enciende intermitentemente | Las pilas no están instaladas correctamente | Examine la orientación de las pilas para asegurarse de que están colocadas conforme a las marcas de polaridad. Pruebe de nuevo. |
| | | Limpie los terminales de las pilas y, a continuación, coloque unas pilas nuevas. |
| | | Conecte el adaptador de CA y pruebe de nuevo. |
| | Software sin actualizar a la versión más actual | Para descargar la versión más reciente del software, consulte la información sobre el producto en el sitio web del fabricante. |
| | Medidor dañado | Contáctese con Soporte Técnico. |
| No se puede acceder a la pantalla Opciones de acceso completo | No se ha introducido la contraseña correcta | Contáctese con Soporte Técnico. |
| No se puede acceder a la pantalla Opciones de acceso completo o de operador | Software sin actualizar a la versión más actual | Para descargar la versión más reciente del software, consulte la información sobre el producto en el sitio web del fabricante. |

Índice

Especificações na página 44

Informações gerais na página 44

Instalação na página 47

Interface do usuário e navegação na página 49

Inicialização na página 50

Operação padrão na página 51

Gerenciamento de dados na página 52

Manutenção na página 55

Solução de problemas na página 56

Especificações

As especificações estão sujeitas a alterações sem aviso prévio.

| Especificação | Detalhes |
|-------------------------------------|--|
| Dimensões | 17,48 x 8,59 x 23,5 cm (6,88 x 3,38 x 9,25 pol.) |
| Peso | 750 g (1,65 lb) sem as baterias |
| Gabinete do medidor | IP54 com tampa do compartimento de pilhas instalada (resistente à entrada de poeira e borrifos d'água) |
| Requisitos de alimentação (interna) | Pilhas (4) AA Alcalinas ou de Hidreto de Níquel Metálico (NiMH) recarregáveis; duração das pilhas: até 200 horas |
| Requisitos de alimentação (externa) | Adaptador de alimentação externa, Classe III: 100 – 240 Vca, entrada 50/60 Hz; saída 4,5 a 7,5 Vcc (7 VA) |
| Classe de proteção do medidor | Classe I |
| Temperatura de armazenamento | -20 a +60 °C (-4 a +140 °F) |
| Temperatura de operação | 5 a 45°C (41 a 113°F) |
| Umidade de operação | 90% (sem condensação) |
| Conector de entrada de 5 pinos | Conector M12 para sondas IntelliCAL™ |

| Especificação | Detalhes |
|----------------------------------|--|
| Memória de dados (interna) | 500 resultados |
| Armazenamento de dados | Automático, em modo Pressione para Ler e em modo Intervalo. Manual, em modo Leitura Contínua. |
| Exportação de dados | Conexão USB para computador ou dispositivo de armazenamento USB (limitado à capacidade do dispositivo de armazenamento) Transferência do registro de dados inteiro ou conforme as leituras são feitas. |
| Conexões | USB tipo A integrado (para dispositivo de memória flash, impressora, teclado) e USB tipo B integrado (para computador) |
| Correção de temperatura | Desligada, automática e manual (depende do parâmetro) |
| Bloqueio da exibição de medições | Medição contínua, modo Intervalo ou Pressione para Ler. Função de cálculo de média para sondas LDO. |
| Teclado | Conector para teclado de computador externo com adaptador USB/CC |

Informações gerais

As edições revisadas podem ser encontradas no site do fabricante.

Informações de segurança

AVISO

O fabricante não é responsável por quaisquer danos devido ao uso ou aplicação incorreta deste produto, incluindo, sem limitação, danos diretos, acidentais ou consequenciais, e se isenta desses danos à extensão total permitida pela lei aplicável. O usuário é unicamente responsável por identificar riscos críticos de aplicação e por instalar os mecanismos apropriados para proteger os processos durante um possível mau funcionamento do equipamento.

Leia todo o manual antes de tirar da embalagem, montar ou operar esse equipamento. Preste atenção a todas as declarações de perigo e

cuidado. Caso contrário, o operador poderá sofrer ferimentos graves ou o equipamento poderá ser danificado.

Certifique-se de que a proteção oferecida por este equipamento não seja afetada. Não use nem instale este equipamento de nenhuma outra forma além da especificada neste manual.

Uso de informações de risco

▲ PERIGO

Indica uma situação potencial ou iminentemente perigosa que, se não for evitada, resultará em morte ou lesão grave.

▲ ADVERTÊNCIA

Indica uma situação potencialmente perigosa que, se não for evitada, pode resultar em morte ou ferimento grave.

▲ CUIDADO




Indica uma situação potencialmente perigosa que pode resultar em ferimento leve a moderado.

AVISO

Indica uma situação que, se não evitada, pode causar danos ao instrumento. Informações que necessitam de uma ênfase especial.

Avisos de precaução

Leia todas as etiquetas e rótulos fixados no instrumento. Caso não sejam observadas, podem ocorrer lesões pessoais ou danos ao instrumento. Um símbolo no instrumento tem sua referência no manual com uma medida preventiva.

| | |
|---|--|
|  | Este símbolo, se observado no instrumento, diz respeito ao manual de instruções para operação e/ou informações de segurança. |
|  | Este símbolo indica que o item marcado pode estar quente e deve ser manuseado com cuidado. |
|  | Os equipamentos elétricos marcados com este símbolo não podem ser descartados em sistemas de descarte (lixo) públicos europeus após 12 de agosto de 2005. Em conformidade com as regulamentações nacionais e locais europeias (Diretiva UE 2002/96/EC), os usuários de equipamentos elétricos devem devolver seus equipamentos usados para o fabricante para descarte, sem ônus para o usuário. <i>Observação:</i> Para o envio de equipamento para reciclagem, entre em contato com o fabricante ou fornecedor do equipamento para obter instruções sobre o envio de sucata de equipamento, acessórios elétricos fornecidos pelo fabricante e todos os itens auxiliares para um descarte adequado. |

Visão geral do produto

Os medidores laboratoriais da série HQd são usados com sondas IntelliCAL™ para medir diversos parâmetros da água. O medidor reconhece automaticamente o tipo de sonda à qual está conectado. Os dados medidos podem ser armazenados e transferidos para uma impressora, um computador ou um dispositivo de armazenamento USB (Consulte a [Figura 1](#)).

Os medidores da série HQd estão disponíveis em 3 modelos:

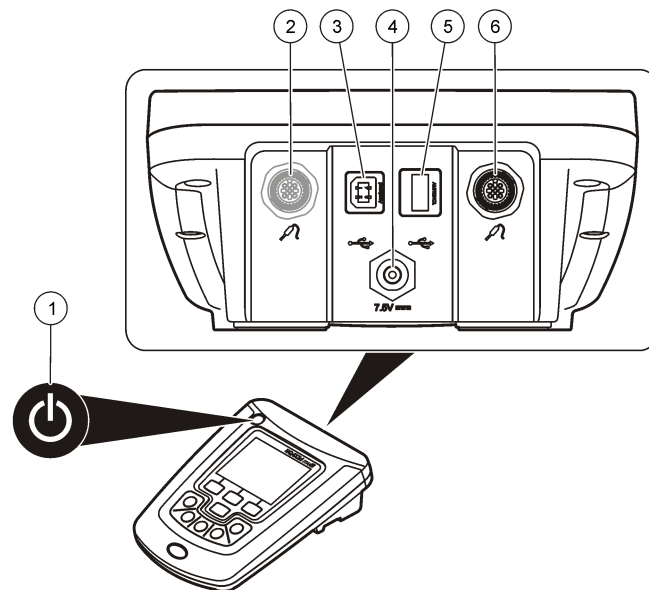
- HQ411d — pH/mV/ORP (Redox)
- HQ430d — Multiparâmetros, uma entrada de sonda
- HQ440d — Multiparâmetros, duas entradas de sonda

Características comuns a todos os modelos:

- Reconhecimento automático de sonda e parâmetro
- Procedimentos de calibração guiados pelo instrumento
- Dados de calibração armazenados na sonda
- Configurações de método específico da sonda para conformidade regulamentar e Boas Práticas de Laboratório (BPL)

- Opções de Segurança
- Registro de dados em tempo real com uma conexão USB
- Conectividade USB com computador/impressora/dispositivo de armazenamento USB/teclado
- Comunicação bidirecional com sistemas baseados em computador, com uma conexão de porta serial virtual
- ID da Amostra e ID do Operador para rastreabilidade dos dados
- Desligamento automático ajustável

Figura 1 Visão geral do produto



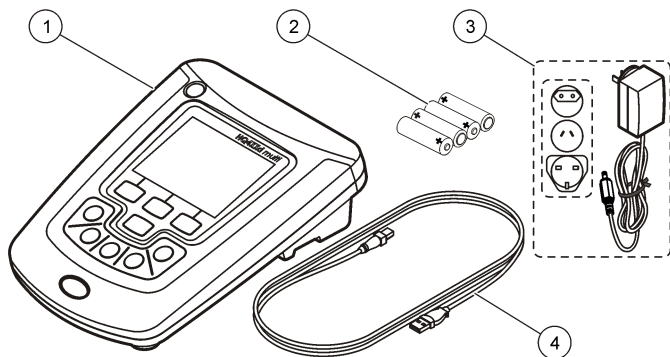
| | |
|---|---|
| 1 LIGAR/DESLIGAR: ligar ou desligar o medidor | 4 Conector de alimentação CC |
| 2 Porta de conexão de sonda (modelo HQ440d) | 5 Conector USB tipo A (para dispositivo de armazenamento USB, impressora e teclado) |
| 3 Conector USB tipo B (para conexões de computadores) | 6 Porta de conexão de sonda |

Componentes do produto

Consulte a [Figura 2](#) para se certificar de que todos os componentes foram recebidos. Se houver itens ausentes ou danificados, entre em

contato imediatamente com o fabricante ou com um representante de vendas.

Figura 2 Componentes do medidor



| | |
|------------------------------------|---|
| 1 Medidor HQ440d, HQ430d ou HQ411d | 3 Adaptador de alimentação universal |
| 2 Pilhas AA (pct. c/ 4) | 4 Cabo USB (somente modelos HQ440d, HQ430d) |

Instalação

⚠ CUIDADO



Vários perigos. Somente pessoal qualificado deve realizar as tarefas descritas nesta seção do manual.

Conexão à alimentação CA

⚠ PERIGO

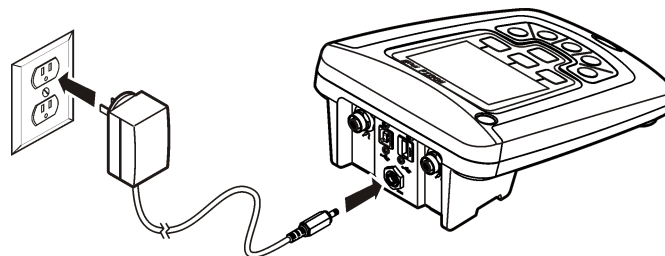


Risco de eletrocussão. As tomadas elétricas de CA localizadas em locais úmidos ou potencialmente úmidos DEVEM SEMPRE estar equipadas com um disjuntor GFCI/GFI (interruptor com circuito de falha de aterramento) A fonte de alimentação CA-CC desse produto não é selada e não deve ser usada em bancadas ou locais úmidos sem proteção GFCI.

O medidor pode ser conectado à alimentação CA por meio do adaptador de alimentação universal.

1. Desligue o medidor.
2. Selecione, no kit adaptador, o plugue adaptador correto para a tomada de parede (Figura 3).
3. Conecte o adaptador de alimentação universal ao medidor.
4. Conecte o adaptador de alimentação universal a uma tomada CA.
5. Ligue o medidor.

Figura 3 Conexão de alimentação CA



Instalação das pilhas

⚠ ADVERTÊNCIA

Perigo de explosão. A instalação incorreta das pilhas pode causar liberação de gases explosivos. As pilhas devem ser do mesmo tipo químico aprovado e ser inseridas com a orientação correta. Não misture pilhas novas com antigas.

AVISO

O compartimento de bateria não é à prova de água. Se o compartimento de bateria ficar úmido, remova e seque as baterias e o interior do compartimento. Verifique se há corrosão nos contatos da bateria e limpe-os, se necessário.

AVISO

Ao usar baterias de níquel-hidreto metálico (NiMH), o ícone de bateria não indicará a carga completa após a inserção de baterias carregadas recentemente (as baterias NiMH são de 1,2 V em comparação com os 1,5 V das baterias alcalinas). Mesmo que o ícone não indique a carga completa, as baterias NiMH de 2300 mAh alcançarão 90% da duração da operação do instrumento (antes da recarga) em comparação com baterias alcalinas novas.

AVISO

Para evitar o dano potencial ao medidor devido a um vazamento de bateria, remova as baterias antes de longos períodos sem uso.

O medidor pode ser alimentado com baterias AA alcalinas ou de NiMH recarregáveis. Para prolongar a duração das pilhas, o medidor se desligará após 5 minutos de inatividade. Esse período pode ser alterado no menu Opções de Exibição.

Para ver informações sobre a instalação da bateria, consulte a [Figura 4](#).

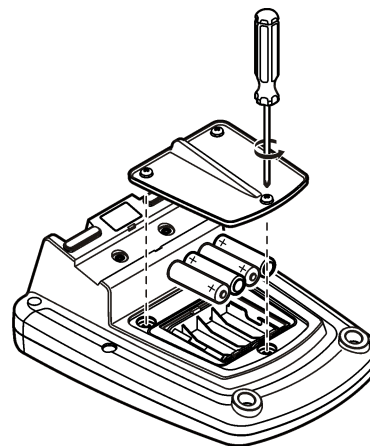
1. Afrouxe os três parafusos da tampa do compartimento de pilhas e remova a tampa.

Observação: Não remova os parafusos da tampa do compartimento de pilhas.

2. Coloque 4 pilhas AA alcalinas ou de níquel-hidreto metálico (NiMH). Certifique-se de que as pilhas estejam instaladas na polaridade correta.
3. Recoloque a tampa da pilha.

Observação: Não aperte demasiadamente os parafusos.

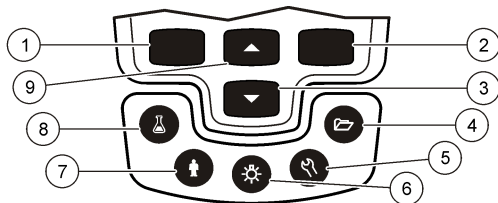
Figura 4 Instalação da pilha



Interface do usuário e navegação

Interface do usuário

Figura 5 Descrição do teclado numérico



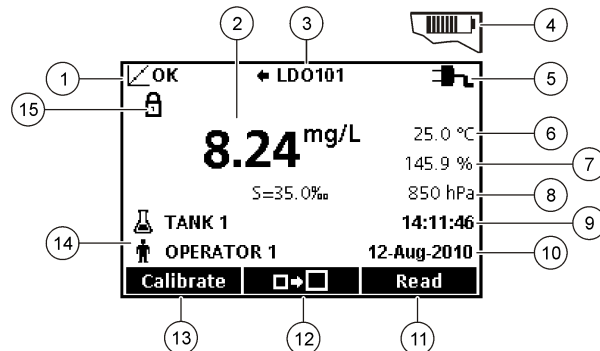
| | |
|---|---|
| 1 Tecla ESQUERDA: calibrar, cancelar ou sair do menu atual | 6 LUZ DE FUNDO: destigar a iluminação do visor |
| 2 Tecla DIREITA: ler, selecionar, confirmar ou armazenar dados | 7 ID DO OPERADOR: associar dados a uma pessoa |
| 3 Tecla PARA BAIXO: navegar nos menus, inserir números e letras ou alterar a visualização da tela de leitura | 8 ID DA AMOSTRA: associar dados a um local da amostra |
| 4 REGISTRO DE DADOS: recuperar ou transferir dados armazenados | 9 Tecla PARA CIMA: navegar nos menus, inserir números e letras ou alterar a visualização da tela de leitura |
| 5 OPÇÕES DO MEDIDOR: alterar configurações, executar a verificação dos padrões, visualizar informações do medidor | |

Descrição da tela

Tela de medição

O visor do medidor mostra a concentração, as unidades, a temperatura, o estado de calibração, a ID do operador, a ID da amostra, a data e a hora (Figura 6).

Figura 6 Exibição em tela única



| | |
|---|---|
| 1 Indicador de estado de calibração | 9 Hora |
| 2 Valor e unidade de medida principais | 10 Data |
| 3 Tipo de sonda IntelliCAL e indicador de porta | 11 Ler (OK, Selecionar) |
| 4 Estado das pilhas | 12 Exibir ícone de tamanho |
| 5 Fonte de energia | 13 Calibrar (Cancelar, Sair) |
| 6 Temperatura da amostra (°C ou °F) | 14 Identificação de amostra e operador |
| 7 Unidade de medida secundária | 15 Indicador de estabilidade ou de travamento da exibição |
| 8 Unidades terciárias (para algumas sondas) | |

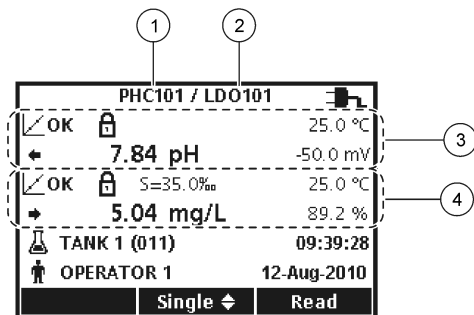
Modo de tela dupla (somente modelos HQ440d)

Quando houver duas sondas conectadas ao medidor HQ440d, o visor poderá mostrar a leitura de ambas as sondas ao mesmo tempo ou de apenas uma sonda (Figura 7).

Observação: Para calibração da sonda, alterne para modo de tela única.

Para alternar o modo de tela para tela única ou dupla, use as teclas \triangle e ∇ . Em modo de tela dupla, a tecla \triangle selecionará a sonda da esquerda e a tecla ∇ , a sonda da direita.

Figura 7 Exibição em tela dupla



| | |
|------------------------------------|--|
| 1 Sonda conectada à porta esquerda | 3 Informações de medidas da sonda esquerda |
| 2 Sonda conectada à porta direita | 4 Informações de medidas da sonda direita |

Navegação

O medidor possui menus para a troca de várias opções. Use as teclas \triangle e ∇ para realçar diferentes opções. Pressione a tecla DIREITA para selecionar uma opção. Há duas maneiras de alterar as opções:

1. Selecionar uma opção em uma lista: use as teclas \triangle e ∇ para selecionar uma opção. Se caixas de seleção são exibidas, mais de uma opção pode ser selecionada. Pressione a tecla ESQUERDA abaixo de Selecionar.

Observação: Para desmarcar as caixas de seleção, pressione a tecla ESQUERDA abaixo de Desmarcar.

2. Insira uma opção usando as teclas de seta: Pressione as teclas \triangle e ∇ para inserir ou alterar um valor.
3. Pressione a tecla DIREITA para avançar ao próximo espaço.
4. Pressione a tecla DIREITA abaixo de OK para aceitar o valor.

Inicialização

Ligue ou desligue o medidor

Pressione a tecla \odot para ligar ou desligar o medidor. Se o medidor não ligar, verifique se a fonte de alimentação CA está corretamente conectada a uma tomada elétrica ou se as pilhas estão corretamente instaladas.

Altere o idioma

O idioma da tela é selecionado quando o medidor é ligado pela primeira vez. O idioma também pode ser alterado pelo menu Opções do Medidor.

Você pode restringir o acesso ao menu de idiomas em Opções de Segurança.

Você poderá encontrar informações adicionais no website do fabricante.

1. Pressione a tecla ⌂ e selecione Idioma.
2. Selecione um idioma da lista.

Observação: Também é possível alterar o idioma ao ligar o medidor ao manter a tecla Ligar/Desligar pressionada.

Altere a data e a hora

A data e a hora podem ser mudadas no menu Data e Hora.

1. Pressione a tecla e selecione Data e Hora.
2. Atualize as informações de data e hora:

| Opção | Descrição |
|----------------|--|
| Formato | Selecione um dos formatos de data e hora abaixo. Use as teclas e para selecionar as opções de formato. dd-mm-aaaa 24h dd-mm-aaaa 12h mm/dd/aaaa 24h mm/dd/aaaa 12h dd-mmm-aaaa 24h dd-mmm-aaaa 12h aaaa-mm-dd 24h aaaa-mm-dd 12h |
| Data | Use as teclas e para inserir a data atual. |
| Tempo | Use as teclas e para inserir a hora atual. |

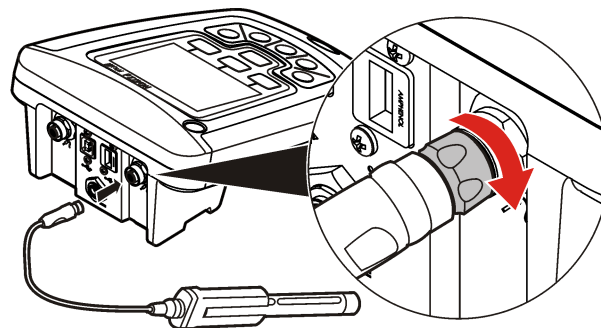
A data e a hora atuais serão mostradas na tela.

Conecte uma sonda após configurar a data e a hora e o medidor estará pronto para efetuar uma medição.

Conexão de uma sonda

1. Verifique se o visor mostra a data e a hora atuais.
Observação: O registro de data/hora da sonda é definido assim que a sonda é conectada ao medidor. O registro de data/hora possibilita registrar o histórico da sonda e a hora em que as medições foram feitas.
2. Conecte a sonda ao medidor (Figura 8).
3. Pressione e gire a contraporca para apertar.

Figura 8 Conexão da sonda



Operação padrão

Sobre a calibração

Cada sonda usa um tipo diferente de solução de calibração. Não deixe de calibrar as sondas com frequência, para manter o mais alto nível de precisão.

Observação: Para obter instruções passo a passo, consulte os documentos que acompanham cada sonda.


O ícone de calibração pode indicar que:

- o tempo para calibração expirou
- a tampa do sensor LDO deve ser recolocada
- a calibração está fora da faixa
- os resultados da calibração não atendem aos critérios definidos como aceitáveis

Sobre medições de amostras

Cada sonda tem etapas e procedimentos de preparação específicos para a coleta de medições de amostras. Para obter instruções passo a passo, consulte os documentos que acompanham a sonda.


Sobre padrões de verificação

Executar Verificar Padrões averigua a precisão do equipamento, medindo uma solução de valor conhecido. O medidor indicará se a verificação de padrões aprovou ou reprovou a precisão do equipamento. Se reprovado, o ícone de calibração  será exibido até que a sonda seja calibrada.

O medidor pode ser configurado para que exiba automaticamente um lembrete para verificar a medição padrão a um intervalo especificado, com a definição de critérios para aceitação. O lembrete, o valor de padrão a verificar e os critérios de aceitação podem ser alterados. Para obter instruções passo a passo, consulte os documentos que acompanham a sonda.

Use uma identificação da amostra


A etiqueta de ID (identificação) da amostra é usada para associar as medições ao local de uma amostra específica. Se especificado, os dados armazenados incluirão a ID da amostra.

1. Pressione a tecla .
2. Selecione, crie ou exclua uma identificação de amostra:

| Opção | Descrição |
|------------------------------------|---|
| ID atual | Selecione uma identificação de uma lista. A identificação atual estará associada aos dados da amostra até que uma identificação diferente seja selecionada. |
| Criar um novo ID de amostra | Digite um nome para a nova identificação de amostra. |
| Excluir ID de amostra | Exclua uma identificação de amostra existente. |

Use uma identificação do operador

A etiqueta de ID (identificação) do operador é usada para associar as medições a um operador específico. Todos os dados armazenados incluirão a ID do operador.

1. Pressione a tecla .

2. Selecione, crie ou exclua uma identificação de operador:


| Opção | Descrição |
|-------------------------------------|---|
| ID atual | Selecione uma identificação de uma lista. A identificação atual estará associada aos dados da amostra até que V diferente seja selecionada. |
| Criar um novo ID de operador | Digite um nome para a nova identificação de operador (um máximo de 10 nomes pode ser digitado). |
| Excluir ID de operador | Exclua uma identificação de operador existente. |

Gerenciamento de dados

Sobre dados armazenados


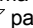
Os seguintes tipos de dados são armazenados no registro de dados:

- Medições de amostras: armazenadas automaticamente toda vez que uma amostra é medida em modo Pressione para Ler ou modo Intervalo. No modo de medição contínua, os dados são armazenados apenas quando Armazenar é selecionado.
- Calibrações: armazenadas apenas quando Armazenar é selecionado, ao final de uma calibração. Os dados de calibração também são armazenados na sonda IntelliCAL (R).
- Medições da verificação de padrões: armazenadas automaticamente toda vez que uma verificação de padrões é executada (em modo Pressione para Ler ou Intervalo).

Quando o registro de dados se encher (500 pontos de dados), o ponto de dados mais antigo será excluído quando um novo ponto de dados for adicionado. O registro de dados inteiro pode ser excluído para remover dados já enviados a uma impressora ou computador (tecla  > Excluir Registro de Dados). Para evitar a exclusão do registro de dados por um usuário, use o menu Opções de Segurança.

Visualização dos dados armazenados


O registro de dados contém dados de amostra, de calibração e da verificação de padrões. O ponto de dados mais recente no registro de dados é sinalizado como Ponto de Dados 001.

1. Pressione a tecla .
2. Selecione View Data Log (Visualizar Registro de Dados) para exibir os dados armazenados. O ponto de dados mais recente é mostrado. A parte superior da tela indica se os dados são provenientes de uma leitura de amostra, uma calibração ou uma verificação de padrões. Pressione a tecla  para visualizar o próximo ponto de dados mais recente.

| Opção | Descrição |
|--|---|
| Reading Log (Registro de Leituras) | Mostra as medições de amostras, inclusive a hora, a data, o operador e a ID da amostra. Selecione Details (Detalhes) para visualizar os dados de calibração associados. |
| Calibration Log (Registro de Calibração) | Mostra os dados de calibração. Selecione Details (Detalhes) para visualizar informações adicionais sobre a calibração. |
| Check Standard Log (Registro da Verificação de Padrões) | Mostra as medições da verificação de padrões. Selecione Details (Detalhes) para visualizar os dados de calibração associados à medição. |

Visualização dos dados de sonda armazenados

Verifique se há uma sonda conectada ao medidor. Se houver duas sondas conectadas, selecione a sonda apropriada, quando solicitado.

1. Para visualizar os dados de calibração armazenados em uma sonda, pressione a tecla  e escolha View Probe Data (Visualizar Dados

de Sonda). A calibração atual e o histórico de calibrações da sonda podem ser consultados.

| Opção | Descrição |
|---|--|
| View Current Calibration (Visualizar Calibração Atual) | As informações da calibração atual mostram os detalhes da calibração mais recente. Se a sonda não tiver sido calibrada pelo usuário, serão exibidos os dados da calibração de fábrica. |
| View Calibration History (Visualizar Histórico de Calibrações) | O histórico de calibrações exibe uma lista com todas as vezes em que a sonda foi calibrada. Selecione uma data e hora para visualizar um resumo dos dados da calibração. |

Imprimir dados armazenados

O medidor deve ser conectado à alimentação CA para iniciar a conexão USB. Certifique-se de ter feito conexão à alimentação CA antes de ligar o medidor.

Todos os dados podem ser enviados para uma impressora. A Impressora PD-24 Citizen é compatível com os medidores HQd e está em conformidade com a FCC Parte 15B, Classe B para medidores HQ. Outras impressoras talvez não sejam compatíveis. Impressoras compatíveis devem aceitar um mínimo de 72 colunas de dados, ser capazes de imprimir até 500 eventos contínuos de fluxo de dados em 1, 2 e 3 linhas de texto e ter suporte total às páginas de código 437 e 850.


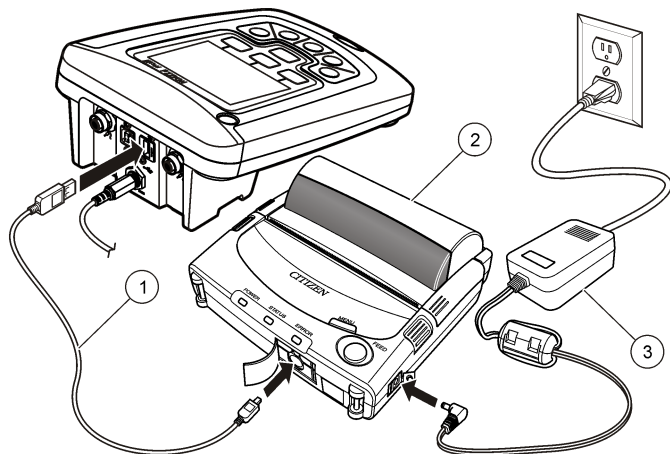
1. Desligue o medidor. Verifique se o medidor está conectado à alimentação CA. Consulte a seção [Conexão à alimentação CA](#) na página 47.
2. Conecte a impressora ao medidor com um cabo USB tipo A. Consulte a [Figura 9](#)
3. Ligue o medidor.
4. Pressione a tecla .
5. Selecione Send Data Log (Enviar registro de dados). Aguarde o visor exibir Transfer Complete (Transferência Concluída) e espere até que a impressora pare de imprimir. Desconecte a impressora.

Figura 9 Conexão à impressora



| | |
|--|---|
| 1 Cabo USB | 3 Fonte de alimentação CA-CC para impressora (opcional) |
| 2 Citizen Printer, em conformidade com FCC Parte 15B, Classe B | |

Alterar as opções de relatório

Os relatórios de dados de amostras impressos podem conter 1, 2 ou 3 linhas de informação.

Você poderá encontrar informações adicionais no website do fabricante.

1. Pressione a tecla . Selecione Opções de Relatório.
2. Selecione Tipo de Relatório e escolha uma das opções.

| Opção | Descrição |
|------------------|---------------------|
| Relatório Básico | Uma linha de dados. |

| Opção | Descrição |
|--------------------|---|
| Relatório Avançado | Duas linhas de dados. A primeira linha contém as mesmas informações contidas no relatório básico. |
| Relatório Completo | Três linhas de dados. As duas primeiras linhas contêm as mesmas informações contidas no relatório avançado. |

Envio de dados para um dispositivo de armazenamento USB

AVISO

A transferência de um grande número de pontos de dados demorará um pouco. NÃO desconecte o dispositivo de armazenamento USB antes da conclusão da transferência.

Os dados podem ser transferidos para um dispositivo USB para armazenamento ou subsequente transferência para um computador.


1. Desligue o medidor. Verifique se o medidor está conectado à alimentação CA.
2. Conecte o dispositivo de armazenamento USB ao medidor antes de ligá-lo.
3. Ligue o medidor.
4. Pressione a tecla .
5. Selecione Send Data Log (Enviar registro de dados). Aguarde até que o visor exiba Transfer Complete (Transferência Concluída) e que as luzes no dispositivo de armazenamento USB parem de piscar. Então, remova o dispositivo USB.

Observação: Se a transferência de dados estiver lenta, reformate o dispositivo de armazenamento USB para usar o formato de tabela de alocação de arquivos (FAT) na próxima utilização.

Envio de dados diretamente a um computador

É possível transferir dados de qualquer medidor da série HQd diretamente a um computador quando o HQ40d PC Application estiver instalado. Os dados podem ser enviados em tempo real, durante a coleta, ou o registro de dados inteiro pode ser transferido.

Para baixar a versão mais recente do software, consulte a página do produto no site do fabricante.

1. Instale o HQ40d PC Application no computador.
2. Desligue o medidor. Verifique se o medidor está conectado à alimentação CA.
3. Conecte o computador ao medidor com um cabo USB tipo B.
4. Ligue o medidor.
5. Abra o HQ40d PC Application no computador. Clique no triângulo verde na barra de menu para iniciar uma conexão.
6. Colete os dados em tempo real ou transfira-os de um registro de dados.
 - Tempo real — quando um ponto de dados é armazenado no medidor, o resultado é enviado simultaneamente para o PC Application. Você poderá encontrar informações adicionais no website do fabricante.
 - Registro de dados — pressione a tecla  e selecione Send Data Log (Enviar Registro de Dados). Aguarde até que o visor exiba Transfer Complete (Transferência Concluída). Os dados são enviados na forma de um arquivo de valores separados por vírgulas (.csv).

Os dados são exibidos na janela do HQ40d PC Application.

Manutenção

⚠ CUIDADO



Vários perigos. Somente pessoal qualificado deve realizar as tarefas descritas nesta seção do manual.

Limpe o medidor

O medidor é projetado para não necessitar de manutenção e não requer limpeza regular em sua operação normal. As superfícies externas do medidor podem ser limpas conforme a necessidade.

1. Esfregue a superfície do medidor com um pano umedecido.
2. Use um cotonete para limpar ou secar os conectores.

Recoloque as pilhas

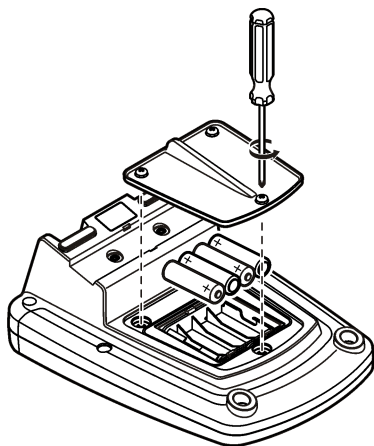
⚠ ADVERTÊNCIA

Perigo de explosão. A instalação incorreta das pilhas pode causar liberação de gases explosivos. As pilhas devem ser do mesmo tipo químico aprovado e ser inseridas com a orientação correta. Não misture pilhas novas com antigas.

Para obter informações sobre substituição de pilhas, consulte a [Figura 10](#).

1. Afrouxe os três parafusos da tampa do compartimento de pilhas e remova a tampa ([Figura 10](#)).
Observação: Não remova os parafusos da tampa do compartimento de pilhas.
2. Remova as baterias.
3. Coloque 4 pilhas AA alcalinas ou de níquel-hidreto metálico (NiMH). Certifique-se de que as baterias estejam instaladas na polaridade correta.
4. Recoloque a tampa da pilha.
Observação: Não aperte demasiadamente os parafusos.

Figura 10 Troca de pilha



Solução de problemas

Consulte a tabela a seguir com relação a sintomas e mensagens de problemas comuns, possíveis causas e ações corretivas.

| Erro/Advertência | Descrição | Solução |
|-------------------------------------|---|--|
| Conecte uma sonda | Sonda desconectada ou conectada incorretamente | Aperte a contraporca do conector da sonda. Desconecte a sonda e reconecte-a |
| | Software não atualizado para a versão mais recente | Para baixar a versão mais recente do software, consulte a página do produto no site do fabricante. |
| | Problema com a sonda | Conecte uma sonda IntelliCAL diferente para verificar se o problema está na sonda ou no medidor |
| Sonda Não Suportada | Sonda desconectada ou incorretamente conectada | Aperte a contraporca do conector da sonda. Desconecte a sonda e reconecte-a. |
| | Software não atualizado para a versão mais recente | Para baixar a versão mais recente do software, consulte a página do produto no site do fabricante. |
| | Problema com a sonda | Conecte uma sonda IntelliCAL diferente ao medidor, para verificar se o problema está na sonda ou no medidor. |
| | Medidor HQd não suporta sonda IntelliCAL | Contate o Suporte Técnico. |
| Erro de bootloader X.X.XX.XX | Software não atualizado para a versão mais recente. | Para baixar a versão mais recente do software, consulte a página do produto no site do fabricante. |

| Erro/Advertência | Descrição | Solução |
|---|--|--|
| Mensagem de 0 dias restantes (somente para LDO e LBOD) | Tampa do sensor LDO ou LBOD utilizada por 365 dias | Recoloque a tampa e o iButton® do sensor LDO ou LBOD. |
| | Restam 0 dias de vida para a tampa do sensor LDO. | Recoloque a tampa do sensor LDO. Será permitida calibração. Contudo, o ícone de calibração e o ponto de interrogação aparecerão na tela de medição mesmo que a calibração seja aprovada. |
| | Medidor configurado com data e hora incorretas | <ol style="list-style-type: none"> 1. Desconecte a sonda do medidor. 2. Remova as pilhas do medidor. 3. Coloque as pilhas corretamente no medidor. Siga as marcações de polaridade. 4. Configure a data e a hora corretas no medidor. 5. Conecte a sonda e verifique se a mensagem desapareceu. |
| | Software não atualizado para a versão mais recente | Para baixar a versão mais recente do software, consulte a página do produto no site do fabricante. |
| Medidor não configurado | Erro(s) do software | Se o medidor iniciar corretamente, faça backup dos arquivos de Registro de Dados e Método. Para baixar a versão mais recente do software, consulte a página do produto no site do fabricante. |

| Erro/Advertência | Descrição | Solução |
|--|--|---|
| O medidor não se liga ou liga-se intermitentemente | As pilhas não estão instaladas corretamente | Examine a orientação das pilhas para garantir que elas estejam de acordo com as marcações de polaridade. Teste novamente. |
| | | Limpe os terminais de pilhas e coloque pilhas novas. |
| | | Conecte o adaptador de alimentação CA e teste novamente. |
| | Software não atualizado para a versão mais recente | Para baixar a versão mais recente do software, consulte a página do produto no site do fabricante. |
| | Medidor danificado | Contate o Suporte Técnico. |
| Impossível acessar a tela Full Access Options (Opções de Acesso Completas) | Não foi inserida a senha correta | Contate o Suporte Técnico. |
| Impossível acessar a tela Full or Operator Access Options (Opções de Acesso Completas ou do Operador) | Software não atualizado para a versão mais recente | Para baixar a versão mais recente do software, consulte a página do produto no site do fabricante. |

目录

规格 第 58

基本信息 第 58

安装 第 60

用户界面及导航 第 62

启动 第 63

标准操作 第 64

数据管理 第 65

维护 第 67

故障排除 第 67

规格

产品规格如有变化，恕不另行通知。

| 规格 | 详细说明 |
|-----------|---|
| 尺寸 | 17.48 x 8.59 x 23.5 cm (6.88 x 3.38 x 9.25 in.) |
| 重量 | 750 g (1.65 lb)，不带电池 |
| 仪表外壳 | IP54，电池盖已安装（防止灰尘和水进入） |
| 电源要求（内部） | AA 碱性或可充电的镍氢 (NiMH) 电池 (4)；电池寿命：长达 200 小时 |
| 电源要求（外部） | III 类，外部电源适配器 100–240 VAC、50/60 Hz 输入；4.5 至 7.5 VDC (7 VA) 输出 |
| 仪表保护等级 | I 类 |
| 存储温度 | –20 至 +60 °C (–4 至 +140 °F) |
| 操作温度 | 5 至 45°C (41 至 113 °F) |
| 操作湿度 | 90% (无冷凝) |
| 5 针输入连接器 | 适用于 IntelliCAL™ 探头的 M12 连接器 |
| 数据存储器（内部） | 500 条结果 |
| 数据保存 | 自动按压读取模式和间隔模式。手动连续读取模式。 |
| 数据导出 | 通过 USB 接口与 PC 或 USB 存储设备连接（限于存储设备容量）。传输完整的数据日志，或者在采集读数时传输。 |

| 规格 | 详细说明 |
|--------|--|
| 连接 | 集成的 USB A 型（适用于 USB 闪存设备、打印机、键盘）和集成的 USB B 型（适用于 PC） |
| 温度校正 | 关，自动和手动（基于参数） |
| 测量显示屏锁 | 连续测量，间隔或按压读取模式。LDO 探头的平均计算功能。 |
| 键盘 | 通过 USB/直流适配器进行连接的外部 PC 键盘连接器 |

基本信息

修订版可在制造商的网站上找到。

安全信息

注意

对于误用和滥用造成的产品损坏，制造商概不负责，包括但不限于：直接、附带和间接的损坏，并且对于适用法律允许的最大程度的损坏也不承担任何责任。用户唯一的责任是识别重大应用风险和安装适当的系统，以在设备可能出现故障时保护流程。

请在拆开本设备包装、安装或使用本设备前，完整阅读本手册。特别要注意所有的危险警告和注意事项。否则，可能会对操作者造成严重的人身伤害，或者对设备造成损坏。

确保设备提供的保护没有受损。请勿以本手册指定方式之外的其它方式使用或安装本设备。

危险信息使用

⚠ 危险

表示潜在的或紧急的危险情况，如果不加以避免，将会导致死亡或严重伤害。

⚠ 警告

表示潜在或非非常危险的情形，如不避免，可能导致严重的人身伤亡。

⚠ 警告




表示潜在的危险情形，可能导致一定程度的人身伤害。

注意

表明如不加以避免则会导致仪器损坏的情况。需要特别强调的信息。

警告标签

请阅读贴在仪器上的所有标签和标记。如未遵照这些安全标签的指示操作，则可能造成人身伤害或仪器损坏。仪器上的符号在手册中通过警告说明参考。

| | |
|---|---|
|  | 本符号如果出现在仪器中，则表示参考说明手册中的操作和/或安全信息。 |
|  | 此标志指示标记的部件可能很热，接触时务必小心谨慎。 |
|  | 使用此符号标记的电气设备在 2005 年 8 月 12 日后，不能通过欧洲公共垃圾系统进行处理。为遵守欧洲地区和国家法规（欧盟指令 2002/96/EC），欧洲电气设备使用者现在必须将废弃或到期的设备送还制造商进行处理，使用者不必支付任何费用。 注： 如果退回产品是为了进行再循环，请联系设备生产商或供应商，索取如何退回使用寿命到期的设备、生产商提供的电源附件以及所有辅助部件的说明，以便进行适当处理。 |

产品概述

HQd 系列实验室仪表与数字 IntelliCAL™ 探头配套使用，以便测量水的各种参数。仪表可自动识别连接到仪表的探头类型。测量数据可以保存并传输到打印机、计算机或 USB 存储设备（参阅图 1）。

HQd 系列仪表提供 3 种型号：

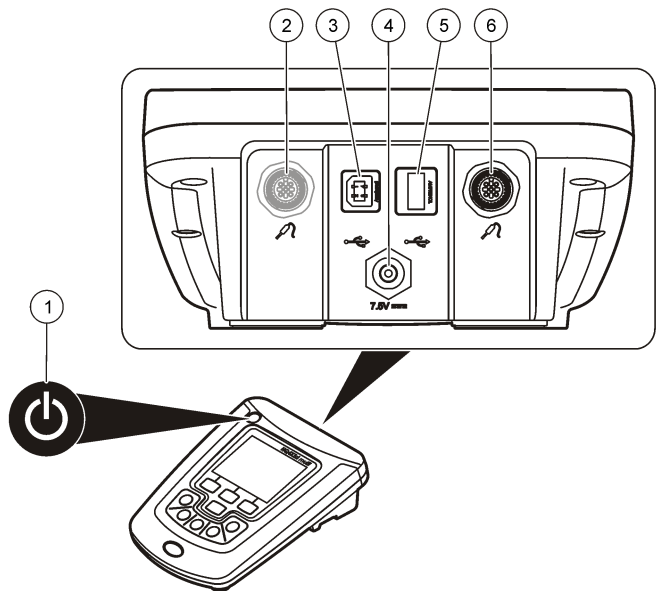
- HQ411d—pH/mV/ORP (Redox)
- HQ430d—多参数，单探头输入
- HQ440d—多参数，双探头输入

所有型号的共同功能：

- 自动识别探头和参数
- 仪器校准流程

- 校准数据保存在探头中
- 针对特定探头的方法设置符合法规和合理的实验室实践 (GLP)
- 安全选项
- 通过 USB 连接实时记录数据
- 通过 USB 接口连接 PC/打印机/USB 存储设备/键盘
- 通过虚拟串行端口连接与 PC 系统进行双向通信
- 试样 ID 和操作员 ID 实现了数据可追踪性
- 可调整的自动关机功能

图 1 产品概述

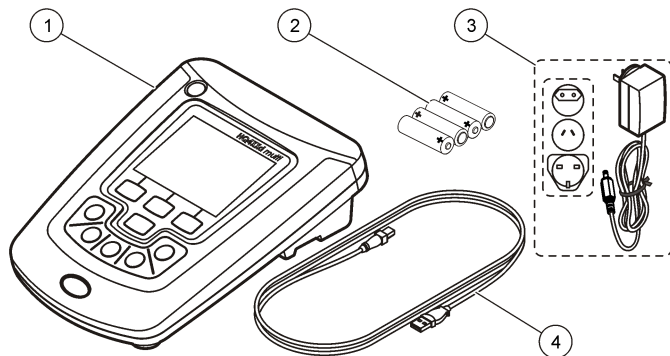


| | |
|-------------------------|-----------------------------------|
| 1 开/关：打开或关闭仪表 | 4 直流电源连接器 |
| 2 探头连接端口（仅限 HQ440d 型） | 5 USB 连接器 A 型（用于 USB 存储设备、打印机和键盘） |
| 3 USB 连接器 B 型（用于 PC 连接） | 6 探头连接端口 |

产品组件

请参阅图 2，确保已收到所有组件。如有任何物品丢失或损坏，请立即联系制造商或销售代表。

图 2 仪表组件



| | |
|-----------------------------|-------------------------------|
| 1 HQ440d、HQ430d 或 HQ411d 仪表 | 3 通用电源适配器 |
| 2 AA 电池 (pk/4) | 4 USB 电缆（仅限 HQ440d、HQ430d 型号） |

安装

▲ 警告



多种危险。只有合规的专业人员才能从事文件中本部分所述的任务。

连接到交流电源

▲ 危险

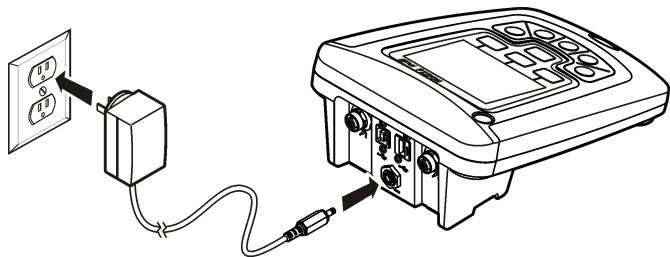


存在电击致命危险。位于潮湿或可能潮湿场所的交流电源插座必须始终配备接地故障电路中断 (GFCI/GFI) 断路器。此产品的交流-直流电源适配器未密封，在没有 GFCI 保护的情况下，不得用于潮湿的工作台或潮湿场合。

仪表可以通过带有通用电源适配器套件的交流电源供电。

1. 关闭仪表。
2. 从适配器套件 (图 3) 为电源插座选择正确的适配器插头。
3. 将通用电源适配器连接到仪表。
4. 将通用电源适配器连接到交流电源插座。
5. 打开仪表。

图 3 交流电源连接



安装电池

▲ 警告

爆炸危险。电池安装不正确会导致释放爆炸性气体。确保以正确的朝向插入与已批准化学类型相同的电池。请勿混用新电池和用过的电池。

注意

电池盒不防水。如果电池盒弄湿，取下并擦干电池，且擦干电池盒的内部。检查电池接点是否腐蚀，如果需要则清洁电池接点。

注意

使用镍氢 (NiMH) 电池时，在装入刚充好电的电池 (镍氢电池为 1.2V，而碱性电池为 1.5V) 后，电池图标不会显示完全充电。即使图标不会显示完全充电，但与新碱性电池相比，2300 mAh 镍氢电池将实现 90% 仪器操作使用时间。

注意

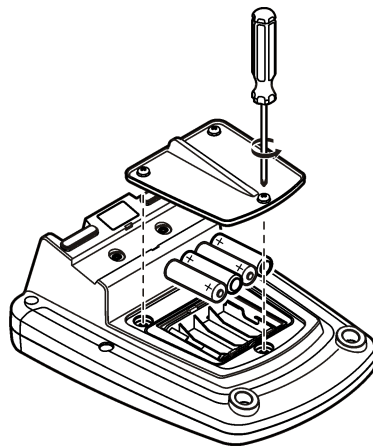
为避免电池漏液可能对仪表造成的损坏，请在长期未用时取下仪表电池。

仪表可通过 AA 碱性电池或可充电镍氢电池供电。为节省电池电量，仪表将在处于不活动状态 5 分钟之后关闭电源。此时间可在“显示选项”菜单中进行更改。

有关电池安装，请参阅图 4。

1. 拧松三颗电池盖螺钉，卸下电池盖。
注：不要将螺钉从电池盖上卸下。
2. 装入 4 节 AA 碱性电池或 4 节 AA 镍氢 (NiMH) 电池。确保电池安装极性正确无误。
3. 装回电池盖。
注：不要过度拧紧螺钉。

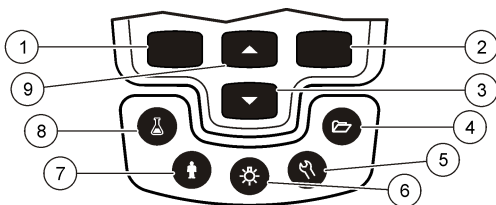
图 4 安装电池



用户界面及导航

用户界面

图 5 键盘说明



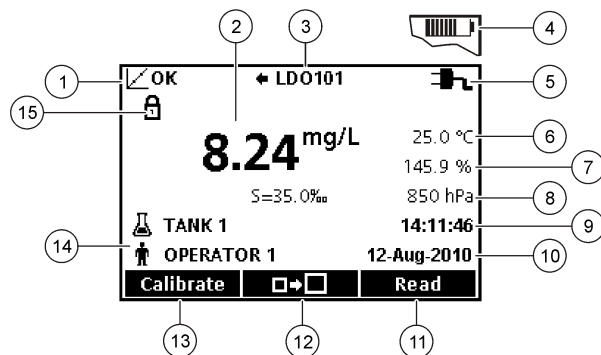
| | |
|---------------------------------|---------------------------------|
| 1 向左键：校准、取消或退出当前菜单 | 6 背光：关闭显示屏照明 |
| 2 向右键：读取、选择、确认或保存数据 | 7 操作员 ID：个人相关数据 |
| 3 向下键：滚动浏览菜单、输入数字和字母，或者更改读数屏幕视图 | 8 试样 ID：试样位置相关数据 |
| 4 数据日志：重新调用或传输保存的数据 | 9 向上键：滚动浏览菜单、输入数字和字母，或者更改读数屏幕视图 |
| 5 仪表选项：更改设置、运行检查标准、查看仪表信息 | |

显示屏说明

测量屏幕

仪表显示屏显示浓度、单位、温度、校准状态、操作员 ID、试样 ID、日期和时间 (图 6)。

图 6 单屏幕显示



| | |
|-------------------------|------------------|
| 1 校准状态指示灯 | 9 时间 |
| 2 主测量值和单位 | 10 日期 |
| 3 IntelliCAL 探头类型和端口指示灯 | 11 读取 (确定、选择) |
| 4 电池状态 | 12 显示大小图标 |
| 5 电源 | 13 校准 (取消、退出) |
| 6 试样温度 (°C 或 °F) | 14 试样 ID 和操作员 ID |
| 7 第二测量单位 | 15 稳定或显示锁定指示灯 |
| 8 第三测量单位 (适用于某些探头) | |

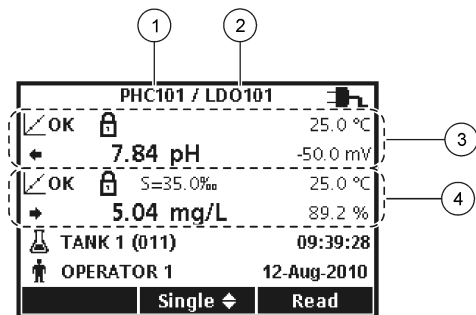
双屏幕模式 (仅限 HQ440d 型号)

当将两个探头连接到 HQ440d 仪表时，显示屏可以同时显示来自两个探头的读数，或者只显示一个探头的读数 (图 7)。

注：对于探头校准，请将屏幕模式更改为单屏幕模式。

要将屏幕模式更改为单屏幕模式或双屏幕模式，请使用 \triangle 和 ∇ 键。在双屏幕模式中， \triangle 键将选择左侧的探头， ∇ 键将选择右侧的探头。

图 7 双屏幕显示



| | |
|--------------|-------------|
| 1 连接到左侧端口的探头 | 3 左侧探头的测量信息 |
| 2 连接到右侧端口的探头 | 4 右侧探头的测量信息 |

导航

仪表包含用于更改各种选项的菜单。使用 \triangle 和 ∇ 键突出显示不同的选项。按下向右 \rightarrow 键选择一个选项。可用两种方法更改选项：

1. 从列表中选择一项：使用 \triangle 和 ∇ 键选择一项。如果显示复选框，则可选择多项。在“选择”下按向左键。

注：要撤选复选框，请在“撤选”下按向左键。

2. 使用箭头键输入选项值：
按下 \triangle 和 ∇ 键输入或更改一个值。
3. 按下向右键移至下一空间。
4. 在“确定”下按向右键接受值。

启动

开启和关闭仪表。

按下 \odot 键可开启或关闭仪表。如果仪表未开启，请确保已将交流电源正确连接至电源插座，或者电池安装正确。

更改语言

当仪表首次通电时，选择显示语言。语言也可以从“仪表选项”菜单进行更改。

通过“安全选项”可以限制访问语言菜单。

制造商网站中提供了附加信息

1. 按下 M 键，选择“语言”。
2. 从列表中选择语言。

注：当打开仪表时，也可以在按住电源键时更改语言。

更改日期和时间

可从“日期和时间”菜单中更改日期和时间。

1. 按下 M 键，然后选择“日期和时间”。
2. 更新时间和日期信息：

选项 说明

格式 为日期和时间选择下面的其中一种格式。使用 \triangle 和 ∇ 键从格式选项中进行选择。

日-月-年 24 小时
 日-月-年 12 小时
 月-日-年 24 小时
 月-日-年 12 小时
 日-月-年 24 小时
 日-月-年 12 小时
 年-月-日 24 小时
 年-月-日 12 小时

日期 使用 \triangle 和 ∇ 键输入当前日期。

时间 使用 \triangle 和 ∇ 键输入当前时间。

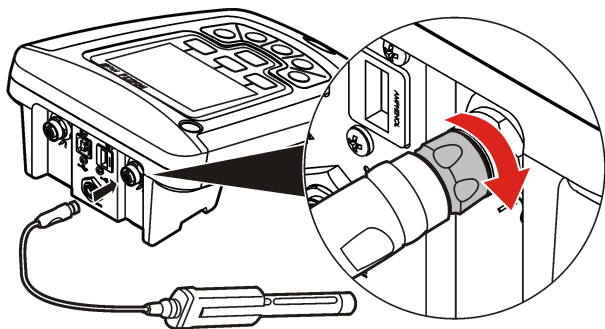
显示屏上将显示当前日期和时间。

设置日期和时间之后连接探头，以便仪表准备进行测量。

连接探头

1. 确保显示屏显示当前时间和日期。
注：在将探头首次连接到仪表时，设置探头的时戳。此时戳可以记录探头历史并记录进行测量的时间。
2. 将探头插入仪表 (图 8)。
3. 按住并转动锁定螺母，使之拧紧。

图 8 探头连接




标准操作

关于校准

每个探头使用不同类型的校准解决方案。确保经常校准探头，以保持最高精确水平。

注：有关分步说明，请参阅随每个探头附带的文档。


校准图标  可以指示：

- 校准已到期
- LDO 传感器盖应更换
- 校准超出范围
- 校准结果超出验收标准设置

关于试样测量

每个探头都有适用于进行试样测量的特定准备步骤和过程。有关分步说明，请参阅随每个探头附带的文档。


关于检查标准

运行检查标准，通过测量已知值的解决方案，检验设备精确性。仪表将指示检查标准是通过还是失败。如果检查标准失败，则将显示校准图标 ，直至探头被校准。

仪表可以被设为按指定的间隔自动显示一则提醒，说明按照指定的验收标准的检查标准测量结果。提醒、检查标准的值和验收标准可以更改。有关分步说明，请参阅随每个探头附带的文档。

使用试样 ID


试样 ID 标记用于将测量结果与特定试样位置相关联。如果已分配，保存的数据将包括试样 ID。

1. 按下  键。
2. 选择、创建或删除试样 ID：

| 选项 | 说明 |
|---------|---|
| 当前 ID | 从列表中选择 ID。当前 ID 将与试样数据相关联，直到选择其他 ID 为止。 |
| 新建试样 ID | 输入新试样 ID 的名称。 |
| 删除试样 ID | 删除现有试样 ID。 |

使用操作员 ID

操作员 ID 标记用于将测量结果与单个操作员相关联。所有保存的数据将包括操作员 ID。

1. 按下  键。
2. 选择、创建或删除操作员 ID:


| 选项 | 说明 |
|----------|--|
| 当前 ID | 从列表中选择 一个 ID。当前 ID 将与试样数据相关联，直到选择其他 ID 为止。 |
| 新建操作员 ID | 输入新操作员 ID 的名称（最多可输入 10 个名称）。 |
| 删除操作员 ID | 删除现有操作员 ID。 |

数据管理

关于保存的数据


以下数据类型将保存在数据日志中:

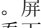
- 试样测量: 在“按压读取”或“间隔”模式下每次测量试样时自动保存。当使用连续测量模式时，仅当选择了“保存”时才保存数据。
- 校准: 仅当在校准结束时选择了“保存”时才保存。校准数据还保存在 IntelliCAL (R) 探头中。
- 检查标准测量: 在“按压读取”或“间隔”模式下每次测量检查标准时自动保存。

当数据日志已满（500 个数据点）时，在添加新数据点时，删除最早的数据点。整个数据日志可以被删除，从而删除已发送至打印机或 PC 的数据（ 键 > 删除数据日志）。为防止用户删除数据日志，请使用“安全选项”菜单。

查看保存的数据

数据日志包含试样、校准和检查标准数据。数据日志中最近的数据点标记为数据点 001。


1. 按下  键。

2. 选择“查看数据日志”以查看已保存的数据。显示最近的数据点。屏幕顶部显示数据是否来自试样读数、校准或检查标准。按  键查看下一最近的数据点。

| 选项 | 说明 |
|--------|--|
| 读数日志 | 读数日志—显示试样测量结果，包括时间、日期、操作员 ID 和试样 ID。选择“详细信息”可查看相关校准数据。 |
| 校准日志 | 校准日志—显示校准数据。选择“详细信息”可查看有关校准的其它信息。 |
| 检查标准日志 | 检查标准日志—显示检查标准测量结果。选择“详细信息”可查看与测量结果相关的校准数据。 |

查看保存的探头数据

确保探头已连接到仪表。如果连接了两个探头，请在提示时选择相应的探头。

1. 要查看保存在探头中的校准数据，请按下  键，然后选择“查看探头数据”。可以查看探头当前的校准和校准历史。

| 选项 | 说明 |
|--------|---|
| 查看当前校准 | 当前校准信息显示最近校准的详细信息。如果用户没有校准探头，则显示出厂校准数据。 |
| 查看校准历史 | 校准历史显示校准探头的时间列表。选择日期和时间以查看校准数据汇总。 |

打印保存的数据

仪表必须连接到交流电源才能开始 USB 连接。确保在打开仪表之前连接交流电源。所有数据都可以发送至打印机。PD-24 Citizen 打印机与 HQd 仪表兼容，而且符合与 HQ 仪表兼容的 FCC Part 15B B 类标准。其他打印机可能不兼容。可兼容打印机应支持至少 72 列的数据，能够以 1、2 或 3 行文本打印多达 500 个连续数据流事件，并且完全支持代码页 437 和代码页 850。

1. 关闭仪表。确保将仪表连接到交流电源。请参阅[连接到交流电源](#)第 60。
2. 使用 USB A 型电缆将打印机连接到仪表。请参阅图 9。


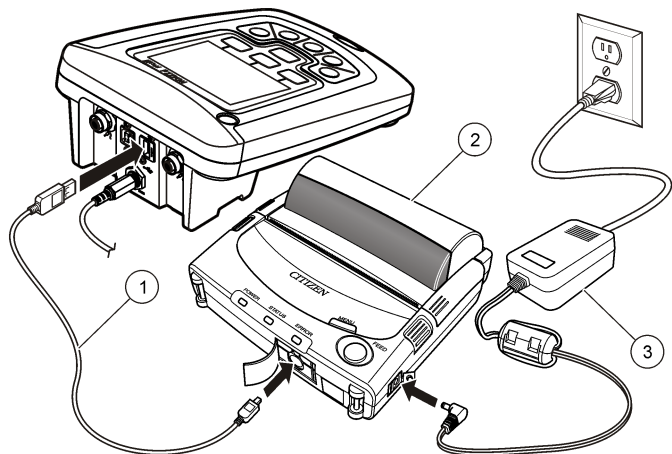
3. 打开仪表。
4. 按下  键。
5. 选择“发送数据日志”。等待显示屏显示“传输完成”，然后等待打印机停止打印。断开打印机连接。

图 9 连接到打印机




| | |
|-------------------------------------|----------------------|
| 1 USB 电缆 | 3 适用于打印机的交流-直流电源（可选） |
| 2 Citizen 打印机、符合 FCC Part 15B B 类标准 | |

更改报告选项

试样数据的打印报告可以包含 1、2 或 3 行信息。

制造商网站中提供了附加信息

1. 按下  键。选择“报告”选项。

2. 选择“报告类型”，然后选择其中一个选项。


| 选项 | 说明 |
|------|--------------------------|
| 基本报告 | 一行数据。 |
| 高级报告 | 两行数据。第一行包含与基本报告中相同的信息。 |
| 总报告 | 三行数据。前两行数据包含与高级报告中相同的信息。 |

将数据发送至 USB 存储设备

注意

传输大量数据点将花费一些时间。传输完成之前，不要断开 USB 存储设备连接。

数据可以传输至 USB 存储设备，以便进行保存或者传输至计算机。

1. 关闭仪表。确保将仪表连接到交流电源。
2. 将 USB 存储设备插入仪表，然后打开仪表电源。
3. 打开仪表。
4. 按下  键。
5. 选择“发送数据日志”。等待显示屏显示“传输完成”，并且等待 USB 存储设备上的所有灯停止闪烁。然后拔出 USB 设备。


注： 如果数据传输较慢，请重新格式化 USB 存储设备（采用文件分配表 (FAT) 格式），以供将来使用。

将数据直接发送至计算机

当安装了 HQ40d PC 应用程序时，可以将数据从任何 HQd 系列仪表直接传输至计算机。在数据收集过程中，可以实时发送数据，或者可以传输整个数据日志。


如要下载该软件的最新版本，请参考制造商网站中的相应产品页面。

1. 在计算机上安装 HQ40d PC 应用程序。
2. 关闭仪表。确保将仪表连接到交流电源。
3. 使用 USB B 型电缆将 PC 连接到仪表。
4. 打开仪表。

5. 打开计算机上的 HQ40d PC 应用程序。单击菜单栏中的绿色三角形以开始连接。
6. 实时收集数据，或者传输来自数据日志的数据：
 - 实时 - 当在仪表中保存数据点时，同时将结果发送至 PC 应用程序。制造商网站中提供了附加信息
 - 数据日志—按下  键，然后选择“发送数据日志”。等待显示屏显示“传输完成”。数据以逗号分隔值 (.csv) 文件的形式发送。

数据显示在 HQ40d PC 应用程序窗口中。

维护

| | |
|---|--------------------------------|
| ▲ 警告 | |
|  | 多种危险。只有合规的专业人员才能从事文件中本部分所述的任务。 |

清洁仪表

仪表可免维护且在正常运行期间无需定期清洁。仪表的外表面可能需要清洁。

1. 用湿布擦拭仪表的表面。
2. 使用棉签清洁或干燥连接器。

更换电池

| | |
|---|--|
| ▲ 警告 | |
| 爆炸危险。电池安装不正确会导致释放爆炸性气体。确保以正确的朝向插入与已批准化学类型相同的电池。请勿混用新电池和用过的电池。 | |

要更换电池，请参考 [图 10](#)。

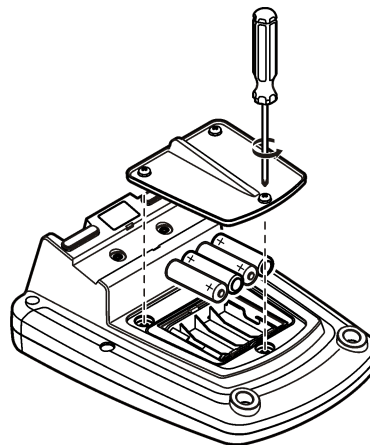
1. 拧松三颗电池盖螺钉，卸下电池盖。 [图 10](#)

注： 不要将螺钉从电池盖上卸下。
2. 取下电池。

3. 装入 4 节 AA 碱性电池或 4 节 AA 镍氢 (NiMH) 电池。确保电池安装极性正确无误。
4. 装回电池盖。

注： 不要过度拧紧螺钉。

图 10 更换电池



故障排除

有关常见问题消息或故障现象、可能的原因和纠正措施，请参阅以下表格。

| 错误/警告 | 说明 | 解决方案 |
|-------|-----------------|------------------------------------|
| 连接探头 | 探头已断开连接，或者连接不正确 | 拧紧探头连接器上的锁定螺母。 断开探头连接，然后重新连接探头 |
| | 软件没有更新至最新版本 | 如要下载该软件的最新版本，请参考制造商网站中的相应产品页面。 |
| | 探头存在问题 | 连接不同的 IntelliCAL 探头，以检验探头或仪表是否存在问题 |

| 错误/警告 | 说明 | 解决方案 |
|--------------------------------|--------------------------|---|
| 探头不受支持 | 探头已断开连接，或者连接不正确 | 拧紧探头连接器上的锁定螺母。 断开探头连接，然后重新连接探头 |
| | 软件没有更新至最新版本 | 如要下载该软件的最新版本，请参考制造商网站中的相应产品页面。 |
| | 探头存在问题 | 将不同的 IntelliCAL 探头连接到仪表，以检验仪表或探头是否存在问题。 |
| | HQd 仪表不支持 IntelliCAL 探头 | 请联系技术支持部门。 |
| Bootloader X.X.XX.XX 错误 | 软件没有更新至最新版本。 | 如要下载该软件的最新版本，请参考制造商网站中的相应产品页面。 |
| 剩余 0 天消息(仅适用于 LDO 和 LBOD) | LDO 或 LBOD 传感器帽已使用 365 天 | 更换 LDO 或 LBOD 传感器帽和 iButton®。 |
| | LDO 传感器帽寿命剩下 0 天。 | 更换 LDO 传感器帽。允许进行校准。但是，校准图标和问题标记将显示在测量屏幕上，即使已通过校准。 |
| | 仪表设为不正确的日期和时间 | <ol style="list-style-type: none"> 1. 将探头与仪表断开连接。 2. 取下仪表电池。 3. 正确安装仪表电池。遵循极性标志。 4. 设置正确的仪表日期和时间。 5. 连接探头，检验消息是否已删除。 |
| | 软件没有更新至最新版本 | 如要下载该软件的最新版本，请参考制造商网站中的相应产品页面。 |
| 仪表没有配置 | 软件错误 | 如果仪表启动正确，请备份数据日志和方法文件。 如要下载该软件的最新版本，请参考制造商网站中的相应产品页面。 |

| 错误/警告 | 说明 | 解决方案 |
|--------------------|-------------|--------------------------------|
| 仪表将不通电，或者间歇通电 | 电池没有正确安装 | 检查电池方向，确保电池遵循极性标志。重新测试。 |
| | | 清洁电池端子，然后安装新电池。 |
| | | 连接交流电源适配器并重新测试。 |
| | 软件没有更新至最新版本 | 如要下载该软件的最新版本，请参考制造商网站中的相应产品页面。 |
| 仪表损坏 | 请联系技术支持部门。 | |
| 无法访问“完全访问选项”屏幕 | 没有输入正确的密码 | 请联系技术支持部门。 |
| 无法访问“完全或操作员访问选项”屏幕 | 软件没有更新至最新版本 | 如要下载该软件的最新版本，请参考制造商网站中的相应产品页面。 |

目次

仕様書 ページの 69

総合情報 ページの 69

設置 ページの 71

ユーザー インターフェイスとナビゲーション ページの 73

スタートアップ ページの 75

標準操作 ページの 76

データ管理 ページの 77

メンテナンス ページの 79

トラブルシューティング ページの 80

仕様書

この仕様は予告なく変更されることがあります。

| 仕様 | 詳細 |
|--------------|---|
| 寸法 | 17.48 x 8.59 x 23.5 cm (6.88 x 3.38 x 9.25 インチ.) |
| 重量 | バッテリーなしで 750g (1.65 ポンド) |
| 測定器本体 | バッテリー・カバーが取り付けられている状態で IP54 保護等級 (埃の浸入および水の飛沫に対する耐性) |
| 電源要件 (内部) | 単三アルカリバッテリーまたは充電式ニッケル水素充バッテリー (NiMH) 4 本、バッテリー駆動時間: 最大 200 時間 |
| 電源要件 (外部) | Class III、外部電源アダプタ: 入力 100 ~ 240 VAC、50/60 Hz、出力 4.5 ~ 7.5 VDC (7 VA) |
| 測定器の保護クラス | Class I |
| 保管環境 | -20 ~ +60 °C |
| 動作温度 | 5 ~ 45 °C |
| 運転湿度 | 90 % (結露なきこと) |
| 5 ピン入力コネクタ | IntelliCAL™ プロブ用 M12 コネクタ |
| データ・メモリ (内部) | 500 件の測定結果 |

| 仕様 | 詳細 |
|--------------|--|
| データ・ストレージ | 自動: Press to Read (手動読み取り) モードおよび Interval (一定間隔) モード 手動: Continuous Read Mode (連続読み取り) モード |
| データのエクスポート | PC または USB ストレージ・デバイスへの USB 接続 (ストレージ・デバイスの容量によって制限される)。データ・ログ全体を転送または値の読み取り時に転送。 |
| 接続 | 内蔵 USB タイプ A (USB フラッシュ・メモリ・デバイス、プリンタ、キーボード) および内蔵 USB タイプ B (PC 用) |
| 温度補正 | オフ、自動、手動 (パラメータに依存) |
| 測定ディスプレイのロック | Continuous measurement (連続測定)、Interval (一定間隔)、Press to Read (手動読み取り) モード。LDO プロブ用の平均化機能。 |
| キーボード | USB/DC アダプタに外付け PC キーボード用コネクタ |

総合情報

改訂版は、製造元のウェブサイト上にあります。

安全情報

告知

メーカーは、本製品の目的外使用または誤用に起因する直接損害、偶発的損害、結果的損害を含むあらゆる損害に対して、適用法で認められている範囲で一切責任を負わないものとします。ユーザーは、適用に伴う危険性を特定したり、装置が誤作動した場合にプロセスを保護するための適切な機構を設けることに關して、全責任を負うものとします。

この機器の開梱、設定または操作を行う前に、このマニュアルをすべてよく読んでください。危険および注意の注意事項に注意を払ってください。これを怠ると、オペレータが重傷を負う可能性、あるいは機器が損傷を受ける可能性があります。

本装置に備わっている保護機能が故障していないことを確認します。本マニュアルで指定されている以外の方法で本装置を使用または設置しないでください。

危険情報の使用

▲ 危険

回避しなければ死亡または重傷につながる、潜在的または切迫した危険な状況を示します。

▲ 警告

避けない場合、死亡事故や負傷が起こるかも知れない危険な状況を示します。

▲ 注意




軽傷または中傷事故の原因となる可能性のある危険な状況を示しています。

告知

回避しなければ、装置の損傷を引き起こす可能性のある状況を示します。特に注意を要する情報。

使用上の注意ラベル

測定器上に貼付されたラベルや注意書きを全てお読みください。これを怠ると、人身傷害や装置の損傷につながるおそれがあります。測定器に記載されたシンボルは、使用上の注意と共にマニュアルを参照してください。

| | |
|--|---|
|  | このシンボルが測定器に記載されている場合、操作上の指示マニュアル、または安全情報を参照してください。 |
|  | この記号は、しるしの付いた部分の温度が非常に高くなっている可能性があるため、十分注意する必要があることを示します。 |
|  | このシンボルが表示された電気機器は、欧州廃棄システムにより 2005 年 8 月 12 日以降の廃棄処分が禁じられています。欧州地域規制および国内規制 (EU 指令 2002/96/EC) に従い、欧州の電気機器ユーザーは古くなったまたは使い切った機器をメーカーに無償返却する必要があります。 注: リサイクル用にご返却になる場合には、機器メーカーまたは供給者にご連絡の上、使い切った機器、メーカー供給による電気アクセサリおよび予備品を適切に処分するための返却方法をご確認ください。 |

製品概要

HQd シリーズ・ラボ測定器は、デジタル式 IntelliCAL™ プローブとともに使用して、水のさまざまなパラメータを測定するのに使用します。測定器は、測定器に接続されているプローブの種類を自動的に認識します。測定データは、プリンタに転送したり、PC や USB ストレージ・デバイスに保存することができます (図 1 を参照)。

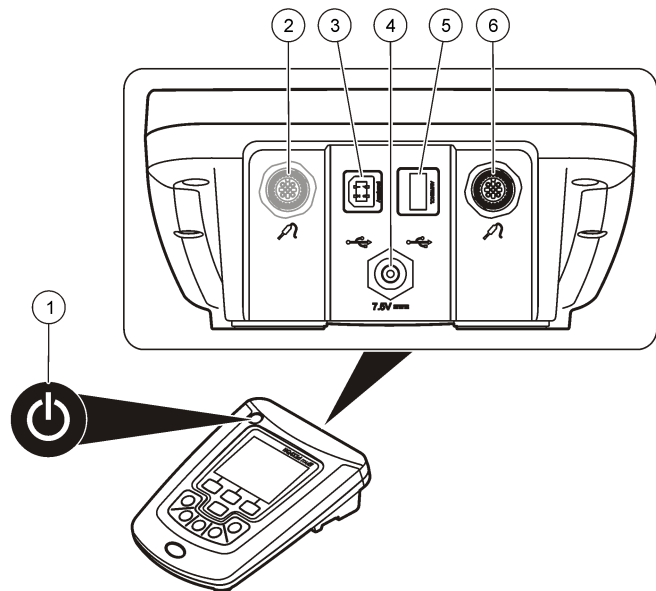
HQd シリーズ測定器には、次の 3 つのモデルがあります。

- HQ411d - pH/mV/ORP (Redox)
- HQ430d - マルチパラメータ、シングル・プローブ入力
- HQ440d - マルチパラメータ、デュアル・プローブ入力

すべてのモデルに共通の機能:

- プローブおよびパラメータの自動認識
- 装置によるガイド付き較正手順
- プローブ内への較正データの保存
- 規制準拠および優良試験所規範 (GLP) に則したプローブ固有のメニュー設定
- セキュリティ・オプション
- USB 接続によるリアルタイム・データ・ロギング
- PC/プリンタ/USB ストレージ・デバイス/キーボード用の USB 接続
- 仮想シリアル・ポート接続による PC ベースのシステムとの双方向通信
- データのトレーサビリティ用のサンプル ID とオペレータ ID
- 調整可能な自動シャットオフ

図 1 製品概要

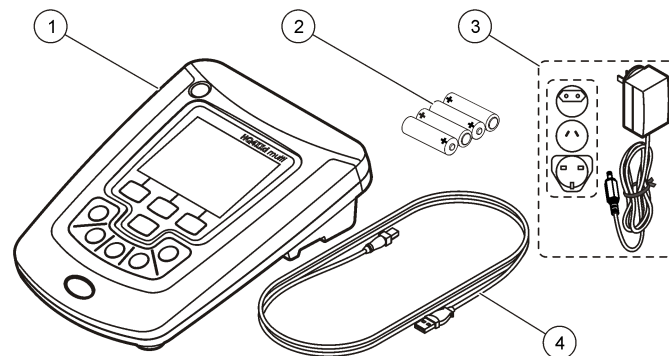


| | |
|---------------------------|---|
| 1 オン/オフ: 測程器のオン/オフを切り替えます | 4 DC 電源コネクタ |
| 2 プローブ接続ポート (HQ440d モデル) | 5 USB タイプ A コネクタ (USB ストレージ・デバイス、プリンタ、キーボード用) |
| 3 USB タイプ B コネクタ (PC 接続用) | 6 プローブ接続ポート |

製品コンポーネント

図 2 を参照して、すべてのコンポーネントがあることを確認します。コンポーネントが不足していたり損傷している場合は、直ちにメーカーまたは販売代理店にお問合せください。

図 2 測程器コンポーネント



| | |
|----------------------------|----------------------------------|
| 1 HQ440d、HQ430d、HQ411d 測程器 | 3 ユニバーサル電源アダプタ |
| 2 単三バッテリー (4 本) | 4 USB ケーブル (HQ440d、HQ430d モデルのみ) |

設置

▲ 注意



複合的な危険。本書のこのセクションに記載されている作業は、必ず資格のある要員が行う必要があります。

AC 電源への接続

▲ 危険

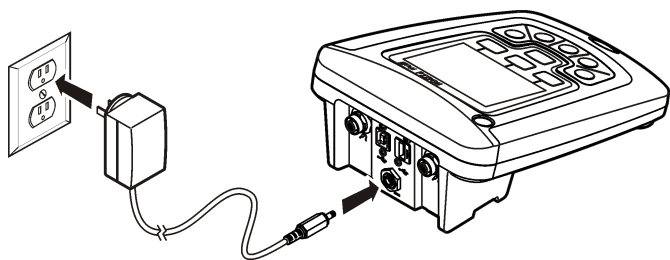


感電死の危険。湿ったまたは湿る可能性がある場所の AC 電源コンセントは必ず地絡遮断回路 (GFCI/GFI) 回路ブレーカを備えなければなりません。この製品の AC-DC 電源アダプタはシールされてなく、湿ったベンチ上または湿った場所では GFCI 保護なしには使用してはなりません。

測定器は、ユニバーサル電源アダプタを使用して AC 電源から給電することができます。

1. 測定器をオフにします。
2. アダプタ・キットからコンセントに適したアダプタ・プラグを選択します (図 3)。
3. ユニバーサル電源アダプタを測定器に接続します。
4. ユニバーサル電源アダプタをコンセントに差し込みます。
5. 測定器をオンにします。

図 3 AC 電源の接続



バッテリーの取り付け

▲ 警告

爆発の危険。バッテリーを正しく入れないと、爆発性ガスが発生する可能性があります。バッテリーが指定の化学型であり 3 本とも同じ型であることと、正しい方向に入れられていることを確認してください。新しいバッテリーと古いバッテリーを混ぜて使用しないでください。

告知

バッテリー収納部は防水ではありません。バッテリー収納部が濡れた場合、バッテリーを取り外して乾かし、収納部内部を完全に乾燥させてください。バッテリーの接触に腐食がないかチェックし、必要に応じて洗浄してください。

告知

ニッケル水素(NiMH)バッテリーを使用する場合、フル充電されたバッテリーが挿入された場合であっても、バッテリーのアイコンはフル充電を示しません(NiMH は 1.2V でアルカリ・バッテリーは 1.5V)。アイコンは完全充電を示しませんが、2300mAh の NiMH バッテリーは再充電が必要になるまで、新しいアルカリ・バッテリーに対して 90%程度の使用可能時間があります。

告知

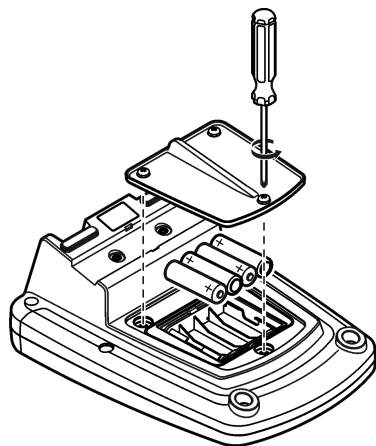
バッテリーのリークから測定器の損傷が起こることを避けるために、長期に渡って使用を停止する場合はバッテリーを外してください。

測定器は AA アルカリまたは充電可能 NiMH バッテリーから給電することができます。バッテリーの消耗を抑えることができるように、5 分間操作を行わないと、測定器の電源が自動的にオフになります。この時間は [Display Options] メニューで変更できます。

バッテリーの取り付けは図 4 を参照してください。

1. バッテリー・カバーを止めている 3 本のねじを緩めて、バッテリー・カバーを取り外します。
注: バッテリー・カバーからねじを取り外さないでください。
2. 単三アルカリ・バッテリーまたは充電式ニッケル水素充バッテリー (NiMH) 4 本を取り付けます。バッテリーが正しい向きに入っていることを確認してください。
3. バッテリー・カバーを交換します。
注: ねじを強く締め付けすぎないでください。

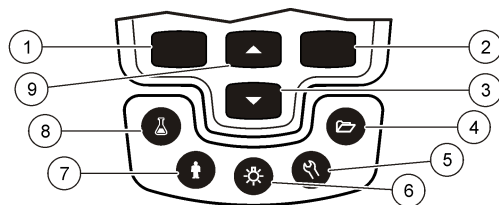
図 4 バッテリーの取り付け



ユーザー インターフェイスとナビゲーション

ユーザー・インターフェース

図 5 キーパッドの説明



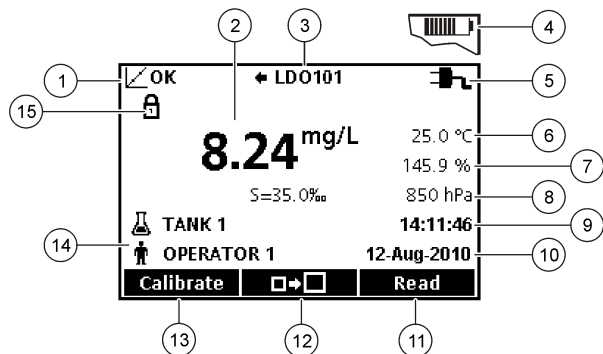
| | |
|---|---|
| 1 左キー: 校正、キャンセル、現在のメニューの終了 | 6 バックライト: ディスプレイの照明をオフにします。 |
| 2 右キー: 読み取り、選択、確定、データの保存 | 7 オペレータ ID: データと担当者を関連付けます |
| 3 下キー: メニューのスクロール、数値および文字の入力、読み取り値画面の変更 | 8 サンプル ID: データとサンプル収集場所を関連付けます |
| 4 データ・ログ: 保存データの呼び出しましたは転送 | 9 上キー: メニューのスクロール、数値および文字の入力、読み取り値画面の変更 |
| 5 測定器オプション: 設定の変更、検査標準測定の実行、測定器情報の表示 | |

ディスプレイの説明

測定画面

測定器のディスプレイには、濃度、単位、温度、校正ステータス、オペレータ ID、サンプル ID、日付と時刻が表示されます (図 6)。

図 6 シングル画面表示



| | |
|---------------------------------|----------------------------|
| 1 較正ステータス・インジケータ | 9 時刻 |
| 2 メインの測定値と単位 | 10 日付 |
| 3 IntelliCAL プローブの種類とポート・インジケータ | 11 Read (OK、Select) |
| 4 バッテリーの状態 | 12 ディスプレイ・サイズ・アイコン |
| 5 電源 | 13 Calibrate (Cancel、Exit) |
| 6 サンプル温度 (°C または °F) | 14 サンプル ID およびオペレータ ID |
| 7 2 次測定単位 | 15 安定性または表示ロック インジケータ |
| 8 3 次単位 (一部のプローブ用) | |

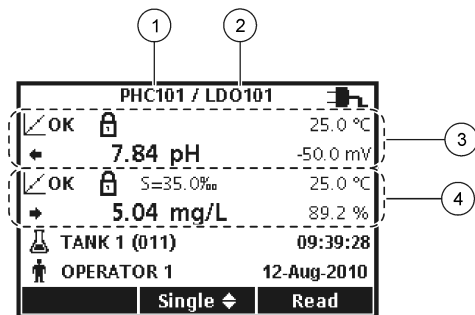
デュアル画面モード (HQ440d モデルのみ)

HQ440d 測定器に 2 つのプローブを接続した場合、ディスプレイに両方のプローブからの読み取り値を同時に表示することも、1 つのプローブの読み取り値のみを表示することもできます (図 7)。

注: プローブを較正する場合は、画面モードをシングル画面モードに変更します。

画面モードをシングル画面またはデュアル画面に変更するには、△/▽キーを使用します。デュアル画面モードの場合、△ キーを押すと左側のプローブが選択され、▽ を押すと右側のプローブが選択されます。

図 7 デュアル画面表示



| | |
|----------------------|----------------|
| 1 左側のポートに接続されているプローブ | 3 左側のプローブの測定情報 |
| 2 右側のポートに接続されているプローブ | 4 右側のプローブの測定情報 |

ナビゲーション

測定器には、各種オプションを変更するためのメニューがあります。△/▽キーを使用してさまざまなオプションをハイライト表示します。右 キーを押して、オプションを選択します。オプションを変更するには 2 つの方法があります。

- リストからオプションを選択します: △ (上方) および ▽ (下方) キーを使用してオプションを選択します。チェック ボックスが現れたら、複数のオプションの選択が可能です。[Select] の下にある 左 キーを押します。
注: チェック・ボックスをオフにするには、[Deselect] の下にある 左 キーを押します。
- 矢印キーを使用してオプション値を入力します: △ (上方) および ▽ (下方) キーを押して、値を入力または変更します。
- 右 キーを押して、次のスペースに進みます。
- [OK] の下にある 右 キーを押して、値を確定します。

スタートアップ

測定器のオンとオフ


⏻キーを押して、測定器をオンまたはオフにしてください。測定器がオンにならない場合は、AC電源アダプタがコンセントに正しく接続されていること、またはバッテリーが正しく入っていることを確認してください。

言語の変更

言語の表示は測定器を始めて電源オンした時に選択されます。言語は、[Meter Options] メニューから変更することもできます。

[Security Options] で、言語メニューへのアクセスを制限することができます。

より詳しい情報は、当社 Web サイトにて入手できます。

1.  キーを押して [Language] を選択します。
2. リストから言語を選択します。

注: 測定器の電源をオンにする際に、電源キーを押し続けることで、言語を変更することもできます。

日付と時間の変更

日付と時間は日付/時刻メニューで変更可能です。

1.  キーを押して、[Date & Time] を選択します。

2. 時間と日付情報を更新します。

| オプション | 説明 |
|-------|--|
| 形式 | 次のいずれかの日付と時刻の形式を選択します。△▽ キーを使用して、形式オプションから選択します。 dd-mm-yyyy 24 時間 dd-mm-yyyy 12 時間 mm/dd/yyyy 24 時間 mm/dd/yyyy 12 時間 dd-mmm-yyyy 24h dd-mmm-yyyy 12h yyyy-mm-dd 24 時間 yyyy-mm-dd 12 時間 |
| 日付 | △▽ キーを使用して現在の日付を入力します。 |
| 時間 | △▽ キーを使用して現在の時刻を入力します。 |

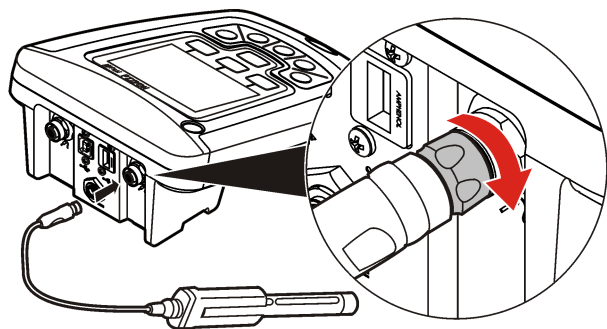
現在の日付と時刻はディスプレイに表示されます。

日付と時刻の設定が完了したらプローブを接続して、測定器で測定を行えるようにします。

プローブの接続

1. ディスプレイに現在の日時が表示されていることを確認します。
注: プローブのタイムスタンプは、プローブを初めて測定器に接続したときに設定されます。タイムスタンプにより、プローブの履歴を記録したり、測定実施時間を記録することができます。
2. プローブを測定器に差し込みます (図 8)。
3. ロック・ナットを押しながら回して固定します。

図 8 プローブの接続




標準操作

較正について

各プローブは、異なる種類の較正溶液を使用します。プローブを頻繁に較正して、最高の精度を維持してください。

注: 詳細な手順については、各プローブに付属のドキュメントを参照してください。


較正アイコン  は、次のことを示します。

- 較正タイマーが満了
- LDO センサ・キャップの交換要
- 較正が範囲外
- 較正結果が許容基準設定値外

サンプル測定について

各プローブでは、サンプル測定を行う際の特定の準備手順が定められています。詳細な手順については、プローブに付属の取扱説明書を参照してください。


検査標準測定について

検査標準測定を実行することで、既知の値の溶液を測定して装置の精度を確認できます。測定器は、検査標準測定に合格したかどうかを示します。検査標準測定に合格しなかった場合、プローブが較正されるまで較正アイコン  が表示され続けます。

指定した許容基準とともに、検査標準測定の実施を求める通知が指定した間隔で自動的に表示されるように測定器を設定できます。通知、検査標準測定値、許容基準は変更することができます。詳細な手順については、プローブに付属のドキュメントを参照してください。

サンプル ID を使用してください。


サンプル ID タグは、測定値と特定のサンプリング場所を関連付けるのに使用します。サンプル ID タグを割り当てた場合、保存データにはサンプル ID が含まれます。

1.  キーを押します。
2. サンプル ID を選択、作成または削除します。

| オプション | 説明 |
|--------------|--|
| 現在の ID | リストから ID を選択してください。現在の ID は別の ID が選択されるまで、試料データと関連付けられません。 |
| 新しい試料 ID の作成 | 新しいサンプル ID に名前を入力します。 |
| サンプル ID の削除 | 既存のサンプル ID を削除します。 |

オペレータ ID の用法

オペレータ ID タグは、測定値と個々のオペレータを関連付けるのに使用します。すべての保存データには、オペレータ ID が含まれます。

1.  キーを押します。
2. オペレータ ID を選択、作成、または削除してください。


| オプション | 説明 |
|-----------------|--|
| 現在の ID | リストから ID を選択してください。現在の ID は別の ID が選択されるまで、試料データと関連付けられません。 |
| 新しいオペレータ ID を作成 | 新しいオペレータ ID に名前を入力してください(最大 10 個の名前を入力可能です)。 |
| オペレータ ID [の削除 | 既存のオペレータ ID を削除してください。 |

データ管理

保存データについて

次の種類のデータがデータ・ログに保存されます。


- サンプル測定値: Press to Read (手動読み取り) モードおよび Interval (一定間隔) モードでは、サンプルを測定するたびに自動的に保存されます。Continuous measurement (連続測定) モードの場合、データは [Store] を選択した場合のみ保存されます。
- 校正: 校正終了時に [Store] を選択した場合のみ保存されます。校正データは、IntelliCAL (R) プロブ内にも保存されます。
- 検査標準測定: 検査標準物質を測定するたびに自動的に保存されます (Press to Read (手動読み取り) モードまたは Interval (一定間隔) モードの場合)。

データ・ログがいっぱい (500 データ・ポイント) になった場合は、新しいデータ・ポイントが追加されたときに最も古いデータ・ポイントが削除されます。データ・ログ全体を削除して、すでにプリンタまたは PC に送信したデータを削除することができます ( キー > [Delete Data

Log])。ユーザーによってデータ・ログが削除されないようにするには、[Security Options] メニューを使用します。

保存データの表示


データ・ログには、サンプル・データ、校正データ、検査標準測定データが含まれています。データ・ログの最新のデータ・ポイントには、Data Point 001 というタグが付けられています。

1.  キーを押します。
2. [View Data Log] を選択して、保存データを表示します。最新のデータ・ポイントが表示されます。画面上部に、データがサンプルの読み取り値、校正値、または検査標準測定値であるかが示されます。▽ キーを押して、次に新しいデータ・ポイントを表示します。

| オプション | 説明 |
|--------------------|--|
| Reading Log | Reading Log - サンプルの測定値と時刻、日付、オペレータ、サンプル ID が表示されます。関連付けられている校正データを表示するには、[Details] を選択します。 |
| Calibration Log | Calibration Log - 校正データが表示されます。校正に関する詳細情報を表示するには、[Details] を選択します。 |
| Check Standard Log | Check Standard Log - 検査標準測定データが表示されます。測定に関連付けた校正データを表示するには、[Details] を選択します。 |

保存されているプロブ・データの表示

プロブが測定器に接続されていることを確認します。2 つのプロブが接続されている場合は、選択するように求められたときに適切なプロブを選択します。

1. プローブに保存されている校正データを表示するには、 キーを押して、[View Probe Data] を選択します。プローブの最新の校正データと校正履歴が表示されます。

| オプション | 説明 |
|---------------------------------|--|
| View Current Calibration | 最新の校正情報には、最新の校正の詳細な校正データが表示されます。プローブがユーザーによって校正されていない場合は、出荷時の校正データが表示されます。 |
| View Calibration History | 校正履歴には、プローブが校正された日時が表示されません。校正データの概要を表示するには、日時を選択します。 |

保存データの印刷

USB 接続を行うには、測定器を AC 電源に接続する必要があります。測定器の電源をオンにする前に、AC 電源に接続したことを確認してください。

データはすべてプリンタに送信できます。PD-24 Citizen プリンタは HQd 測定器と互換性があり、HQ 測定器とともに使用した場合に FCC Part 15B, Class B に準拠します。他のプリンタは互換性がないことがあります。互換性のあるプリンタとは、72 列以上のデータ列をサポートしていて、最大 500 の連続データストリーム・イベント (1 ~ 3 行のテキスト行) を印刷可能で、コード・ページ 437 とコード・ページ 850 を完全にサポートしているプリンタです。


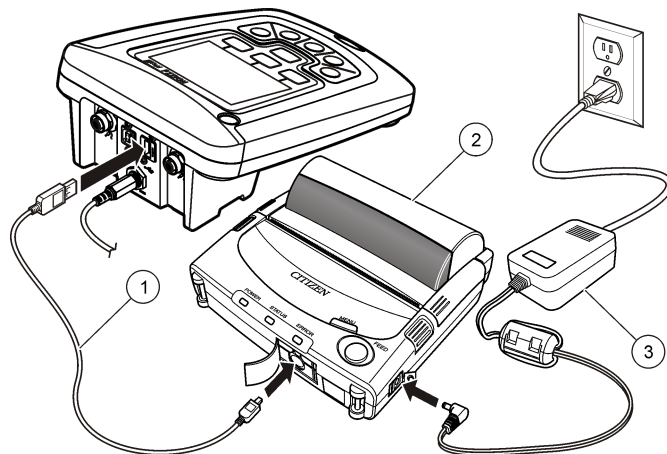
1. 測定器をオフにします。測定が AC 電源に接続されていることを確認します。[AC 電源への接続](#) ページの 71 を参照してください。
2. USB タイプ A ケーブルを使用して、プリンタを測定器に接続します。[図 9](#) を参照してください。
3. 測定器をオンにします。
4.  キーを押します。
5. [Send Data Log] を選択します。ディスプレイに [Transfer Complete] と表示されるまで待ち、プリンタが印刷を完了するまで待ちます。プリンタの接続を外します。

図 9 プリンタへの接続



| | |
|---|------------------------------|
| 1 USB ケーブル | 3 プリンタ用 AC-DC 電源アダプタ (オプション) |
| 2 Citizen プリンタ、FCC Part 15B, Class B 準拠 | |

レポート・オプションの変更

サンプル・データの印刷レポートには、1 ~ 3 行の情報が含まれます。より詳しい情報は、当社 Web サイトにて入手できます。

1.  キーを押します。[Report Options] を選択します。
2. [Report Type] を選択して、いずれかのオプションを選択します。

| オプション | 説明 |
|---------------------|----------|
| Basic report | 1 行のデータ。 |


| オプション | 説明 |
|-----------------|---|
| Advanced report | 2行のデータ。最初の行には、[Basic report]と同じ情報が表示されます。 |
| Total report | 3行のデータ。最初の2行には、[Advanced report]と同じ情報が表示されます。 |

USB ストレージ・デバイスへのデータの送信

告知

大量のデータ・ポイントの転送には、時間がかかることがあります。転送が完了するまで USB ストレージ・デバイスとの接続を解除しないでください。

データは、USB ストレージ・デバイスに転送して保存したり、コンピューターに転送することができます。

1. 測定器をオフにします。測定が AC 電源に接続されていることを確認します。
2. 測定器の電源をオンにする前に、測定器に USB ストレージ・デバイスを差し込みます。
3. 測定器をオンにします。
4.  キーを押します。
5. [Send Data Log] を選択します。ディスプレイに [Transfer Complete] と表示され、USB ストレージ・デバイスのライトが点滅しなくなるまで待ちます。USB デバイスを取り外します。


注 データ転送が遅い場合は、次回使用するときのために USB ストレージ・デバイスを FAT (ファイル・アロケーション・テーブル) 形式で再フォーマットしてください。

コンピューターへのデータの送信

HQ40d PC Application がインストールされている場合、HQd シリーズ測定器からコンピューターにデータを直接転送することができます。データ収集中にリアル・タイムでデータを送信することも、データ・ログ全体を転送することもできます。

ソフトウェアの最新バージョンのダウンロードについては、当社 Web サイトの該当製品のページを参照してください。

1. HQ40d PC Application をコンピューターにインストールします。
2. 測定器をオフにします。測定が AC 電源に接続されていることを確認します。
3. USB タイプ B ケーブルを使用して、PC を測定器に接続します。
4. 測定器をオンにします。
5. コンピューターで HQ40d PC Application を開きます。メニュー・バーにある緑色の三角形をクリックして、接続を開始します。
6. リアル・タイムでデータを収集するか、データ・ログからデータを転送します。

- リアル・タイム-データ・ポイントが測定器に保存されると、同時に結果が PC Application に送信されます。より詳しい情報は、当社 Web サイトにて入手できます。
- データ・ログ -  キーを押して、[Send Data Log] を選択します。ディスプレイに [Transfer Complete] と表示されるまで待ちます。データは、カンマ区切り値 (.csv) のファイルとして送信されます。

データが HQ40d PC Application ウィンドウに表示されます。

メンテナンス

▲ 注意



複合的な危険。本書のこのセクションに記載されている作業は、必ず資格のある要員が行う必要があります。

測定器の洗浄

測定器はメンテナンス不要に設計され、通常の動作のためには定期的な洗浄は不要です。測定器の外表面は必要に応じて洗浄することができます。

1. 湿らせた布で測定器の表面を拭きます。
2. コネクタの清掃または水分を取り除くには、綿棒を使用します。

バッテリーの交換

▲ 警告

爆発の危険。バッテリーを正しく入れないと、爆発性ガスが発生する可能性があります。バッテリーが指定の化学型であり3本とも同じ型であることと、正しい方向に入られていることを確認してください。新しいバッテリーと古いバッテリーを混ぜて使用しないでください。

バッテリーの交換は図 10 を参照してください。

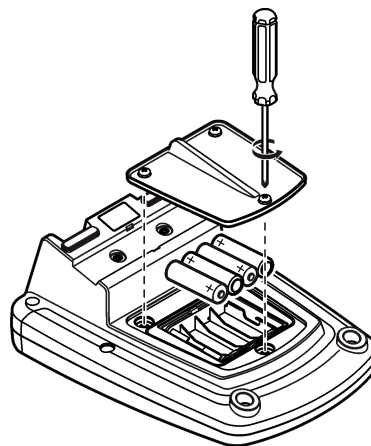
1. バッテリー・カバーを止めている3本のねじを緩めて、バッテリー・カバーを取り外します (図 10)。

注: バッテリー・カバーからねじを取り外さないでください。

2. バッテリーを外します。
3. 単三アルカリバッテリーまたは充電式ニッケル水素充バッテリー (NiMH) 4本を取り付けます。バッテリーが正しい向きに入っていることを確認してください。
4. バッテリーカバーを交換します。

注: ねじを強く締め付けすぎないでください。

図 10 バッテリーの交換



トラブルシューティング

一般的な問題のメッセージまたは現象、起こり得る原因および修復アクションは次の表を参照してください。

| エラー/警告 | 説明 | 対処方法 |
|-----------------------------------|--------------------------------------|--|
| Connect a Probe | プローブが接続されていないか、正しく接続されていません | <p>プローブ・コネクタのロック・ナットを締めてください。</p> <p>プローブを取り外してから、再度差し込んでください。</p> |
| | ソフトウェアが最新バージョンではありません。 | ソフトウェアの最新バージョンのダウンロードについては、当社 Web サイトの該当製品のページを参照してください。 |
| | プローブに問題があります | 別の IntelliCAL プローブを接続して、プローブまたは測定器のどちらに問題があるか確認してください。 |
| Probe Not Supported | プローブが接続されていないか、正しく接続されていません | <p>プローブ・コネクタのロック・ナットを締めてください。</p> <p>プローブを取り外してから、再度差し込んでください。</p> |
| | ソフトウェアが最新バージョンではありません。 | ソフトウェアの最新バージョンのダウンロードについては、当社 Web サイトの該当製品のページを参照してください。 |
| | プローブに問題があります | 別の IntelliCAL プローブを測定器に接続して、プローブまたは測定器のどちらに問題があるか確認してください。 |
| | HQd 測定器が IntelliCAL プローブをサポートしていません。 | 技術サポートにお問い合わせください。 |
| Bootloader X.X.XX.XX error | ソフトウェアが最新バージョンではありません。 | ソフトウェアの最新バージョンのダウンロードについては、当社 Web サイトの該当製品のページを参照してください。 |

| エラー/警告 | 説明 | 対処方法 |
|--|-------------------------------------|--|
| 残り 0 日に関するメッセージ (LDO と LBOD のみ) | LDO または LBOD センサ・キャップを 365 日間使用しました | LDO または LBOD センサ・キャップと iButton® を交換してください。 |
| | LDO センサ・キャップの残り寿命が 0 日です。 | LDO センサ・キャップを交換してください。較正を行うことはできません。ただし、較正に合格した場合でも、測定画面に較正アイコンと疑問符が表示されます。 |
| | 測定器の日付と時刻が正しくありません。 | <ol style="list-style-type: none"> 測定器からプローブを取り外します。 測定器のバッテリーを外します。 測定器のバッテリーを正しい向きに入れます。バッテリーの向きを示すマークに従ってください。 測定器を正しい日付と時刻に設定します。 プローブを接続して、メッセージが表示されないことを確認します。 |
| Meter not configured | ソフトウェアが最新バージョンではありません。 | ソフトウェアの最新バージョンのダウンロードについては、当社 Web サイトの該当製品のページを参照してください。 |
| | ソフトウェア・エラー | 測定器が正しく起動した場合は、データ・ログとメソッド・ファイルをバックアップします。ソフトウェアの最新バージョンのダウンロードについては、当社 Web サイトの該当製品のページを参照してください。 |

| エラー/警告 | 説明 | 対処方法 |
|---|------------------------|--|
| 測定器の電源がオンにならないか、断続的に電源がオンになる | バッテリーが正しく入っていない | バッテリーの向きを示すマークどおりにバッテリーが入っていることを確認して、もう一度テストしてください。 |
| | | バッテリーの端子を清掃して、新品のバッテリーを入れてください。 |
| | | AC 電源アダプタを接続して、もう一度テストしてください。 |
| | ソフトウェアが最新バージョンではありません。 | ソフトウェアの最新バージョンのダウンロードについては、当社 Web サイトの該当製品のページを参照してください。 |
| 測定器が損傷している | | 技術サポートにお問い合わせください。 |
| Full Access Options 画面にアクセスできない | 正しいパスワードを入力しませんでした | 技術サポートにお問い合わせください。 |
| Full Access Options 画面または Operator Access Options 画面にアクセスできない | ソフトウェアが最新バージョンではありません。 | ソフトウェアの最新バージョンのダウンロードについては、当社 Web サイトの該当製品のページを参照してください。 |

목차

사양 페이지의 83

일반 정보 페이지의 83

설치 페이지의 85

사용자 인터페이스 및 탐색 페이지의 87

시작 페이지의 89

표준 작동 페이지의 90

데이터 관리 페이지의 91

유지관리 페이지의 93

문제 해결 페이지의 94

사양

사양은 사전 통보 없이 변경될 수 있습니다.

| 사양 | 세부 정보 |
|--------------|---|
| 치수 | 17.48 x 8.59 x 23.5cm(6.88 x 3.38 x 9.25in.) |
| 무게 | 750g(1.65lb), 건전지 제외 시 |
| 계측기 외함 | 건전지 덮개가 있는 IP54(먼지 및 살수 침투 방지) |
| 전원 요구 사항(내부) | AA 알칼리 건전지 또는 NiMH(Nickel Metal Hydride) 충전지 (4 개), 건전지 수명: 최대 200 시간 |
| 전원 요구 사항(외부) | Class III, 외부 전원 어댑터: 100~240VAC, 50/60Hz 입력; 4.5~7.5VDC(7VA) 출력 |
| 계측기 보호 등급 | Class I |
| 보관 온도 | -20~+60°C(-4~+140°F) |
| 작동 온도 | 5~45°C(41~113°F) |
| 작동 습도 | 90%(비응결) |
| 5 핀 입력 커넥터 | IntelliCAL™ 프로브용 M12 커넥터 |
| 데이터 메모리(내부) | 500 개의 결과 |
| 데이터 저장 | Press to Read 모드 및 Interval 모드에서는 자동. Continuous Read 모드에서는 수동. |

| 사양 | 세부 정보 |
|-------------|---|
| 데이터 내보내기 | USB 로 PC 에 연결 또는 USB 저장 장치(저장 장치 용량에 따라 제한됨). 전체 데이터 로그 전송 또는 판독값이 측정됨과 동시에 전송. |
| 연결 | 통합 USB type A(USB 플래시 메모리 장치, 프린터, 키보드 용) 및 통합 USB type B(PC 용) |
| 온도 보정 | 끄기, 자동 및 수동(매개변수에 따라 다름) |
| 측정 디스플레이 잠금 | Continuous, Interval 또는 Press to Read 측정 모드. LDO 프로브를 위한 평균 계산 기능. |
| 키보드 | USB/DC 어댑터를 통한 외부 PC 키보드 커넥터 |

일반 정보

개정본은 제조업체 웹 사이트에서 확인할 수 있습니다.

안전 정보

주의사항

제조사는 본 제품의 잘못된 적용 또는 잘못된 사용으로 인한 직접, 우발적 또는 간접적 손해에 국한하지 않는 모든 손해에 대한 어떠한 책임도 지지않으며, 관계 법령이 최대한 허용하는 손해에 관한 면책이 있습니다. 사용자는 사용상 중대한 위험을 인지하고 장비 오작동이 발생할 경우에 대비하여 적절한 보호 장치를 설치하여야 합니다.

장치 포장을 풀거나 설치하거나 작동하기 전에 본 설명서를 모두 읽으십시오. 모든 위험 및 주의사항 설명에 유의하시기 바랍니다. 이를 지키지 않으면 사용자가 중상을 입거나 장치가 손상될 수 있습니다.

본 장치의 보호 기능이 손상되지 않도록 본 설명서에서 설명하는 방법이 아닌 다른 방법으로 본 장치를 사용하거나 설치하지 마십시오.

위험 정보 표시

⚠ 위험

방지하지 않을 경우 사망 또는 심각한 부상이 일어나는 잠재적 또는 즉각적 위험 상황을 의미합니다.

⚠ 경고

피하지 않을 경우에 사망이나 심각한 부상을 유발할 수 있는 잠재적 위험이나 긴급한 위험 상황을 나타냅니다.

⚠ 주의

경미하거나 심하지 않은 부상을 초래할 수 있는 잠재적으로 위험한 상황을 경고합니다.

주의사항

피하지 않으면 기기에 손상을 일으킬 수 있는 상황을 나타냅니다. 특별히 강조할 필요가 있는 정보.

주의 경고 라벨

본 장치에 부착된 표기들을 참조하시기 바랍니다. 표시된 지침을 따르지 않으면 부상이나 기기 손상이 발생할 수 있습니다. 기기에 있는 기호는 주의사항에 대한 설명과 함께 설명서에서 참조합니다.

| | |
|--|---|
| | 본 심볼은 작동 및 안전 주의사항에 대한 지침서를 뜻합니다. |
| | 본 심볼이 표시된 부품은 뜨거울 수 있으므로 반드시 조심해서 다뤄야 합니다. |
| | 본 기호가 부착된 전기 장비는 2005년 8월 12일 이후 유럽 공공 처리 시스템에 의해 처분될 수도 있습니다. 유럽 지역 및 국가 규정(EU 지침 2002/96/EC)에 따라 유럽 전기 장비 사용자는 구형 또는 수명이 끝난 장비를 제조업체에 무료 조건으로 반환하도록 합니다. 참고: 재활용을 위해 반환하려면 장비 제조업체나 공급업체에 문의하여 수명이 다한 장비, 제조업체에서 받은 전기 부품 및 모든 보조 물품을 올바른 방법으로 폐기하기 위한 반환 방법을 확인하십시오. |

제품 소개

HQd 시리즈 연구용 계측기는 디지털 IntelliCAL™ 프로브와 함께 물 속에서 다양한 매개변수를 측정하는 데 사용됩니다. 계측기는 계측기에 연결

된 프로브 유형을 자동으로 인식합니다. 측정 데이터는 프린터, PC 또는 USB 저장 장치로 저장 및 전송할 수 있습니다(그림 1 참조).

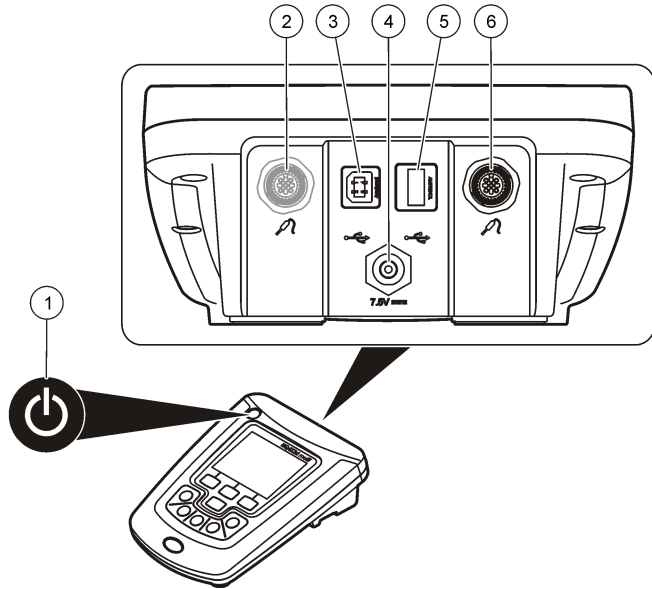
HQd 시리즈 계측기는 다음 세 가지 모드로 제공됩니다.

- HQ411d - pH/mV/ORP(Redox)
- HQ430d - 다중 매개변수, 단일 프로브 입력
- HQ440d - 다중 매개변수, 이중 프로브 입력

모든 모델에는 공통적으로 다음과 같은 기능이 있습니다.

- 자동 프로브 및 매개변수 인식
- 기기에서 교정 절차 안내
- 프로브에 교정 데이터 저장
- 규정 준수 및 우수실험실운영기준(GLP)을 위한 프로브별 방법 설정
- 보안 옵션
- USB 연결을 통한 실시간 데이터 로그 기록
- USB 를 통해 PC/프린터/USB 저장 장치/키보드에 연결
- 가상 직렬 포트 연결을 통해 PC 기반 시스템과 양방향 통신
- 데이터 추적을 용이하게 하는 샘플 ID 및 작동자 ID
- 조정 가능한 자동 차단

그림 1 제품 소개

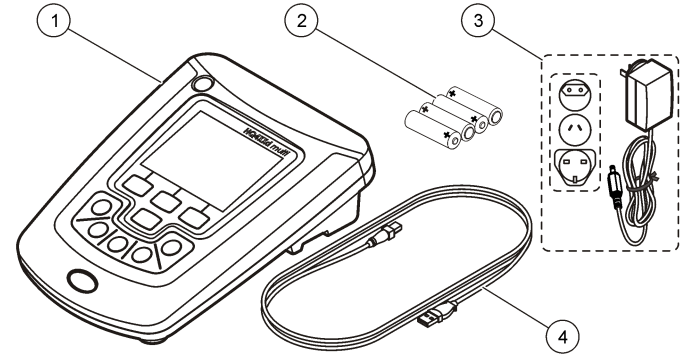


| | |
|--------------------------|--|
| 1 키/ON/OFF: 계측기를 켜고 끕니다. | 4 DC 전원 커넥터 |
| 2 프로브 연결 포트(HQ440d 모델) | 5 USB 커넥터 type A(USB 저장 장치, 프린터, 키보드용) |
| 3 USB 커넥터 type B(PC 연결용) | 6 프로브 연결 포트 |

제품 구성 요소

그림 2를 참조하여 모든 구성 요소가 동봉되었는지 확인하십시오. 품목이 누락되었거나 손상된 경우에는 제조업체 또는 판매 담당자에게 즉시 연락하십시오.


그림 2 계측기 구성 요소



| | |
|--------------------------------|----------------------------------|
| 1 HQ440d, HQ430d 또는 HQ411d 계측기 | 3 범용 전원 어댑터 |
| 2 AA 건전지(pk/4) | 4 USB 케이블(HQ440d, HQ430d 모델만 해당) |


설치

⚠ 주의

 여러 가지 위험이 존재합니다. 해당 전문가가 본 문서에 의거하여 작업을 수행해야 합니다.

AC 전원 에 연결

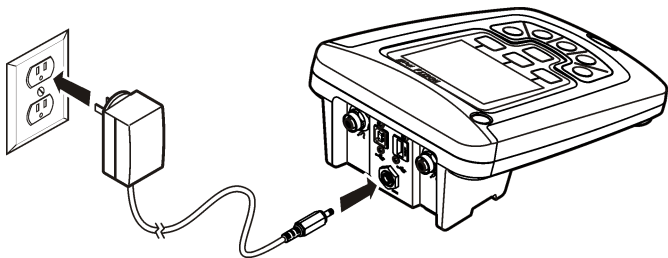
⚠ 위험

 감전 위험 젖었거나 젖을 가능성이 있는 위치에 있는 AC 전원 콘센트에는 항상 GFCI/GFI(Ground Fault Circuit Interrupting) 회로 차단기를 사용해야 합니다. 본 제품의 AC-DC 전원 어댑터는 밀폐되어 있지 않으며 GFCI 보호 없이 젖은 작업대나 젖은 위치에서 사용하지 않아야 합니다.

범용 전원 어댑터를 사용하여 AC 전원으로 계측기를 가동할 수 있습니다.

1. 계측기를 끕니다.
2. 어댑터 키트에서 전원 콘센트에 알맞은 어댑터 플러그를 선택합니다 (그림 3).
3. 범용 전원 어댑터를 계측기에 연결합니다.
4. 범용 전원 어댑터를 AC 콘센트에 연결합니다.
5. 계측기를 켭니다.

그림 3 AC 전원 연결



건전지 설치

⚠ 경고

폭발 위험 건전지를 잘못 설치하면 폭발성 가스가 유출될 수 있습니다. 동종의 인 증된 화학 건전지인지 확인하고 올바른 방향으로 끼워져 있는지 확인하십시오. 새 건전지와 사용한 건전지를 같이 사용하지 마십시오.

주의사항

건전지 구획은 방수가 아닙니다. 건전지 구획에 물이 들어가면 건전지를 빼서 말리고 구획 내부를 즉시 닦으십시오. 건전지 접촉면의 부식 상태를 확인하고 필요하면 청소하십시오.

주의사항

NiMH 충전지를 사용하는 경우, 완전히 충전한 충전지를 삽입해도 건전지 아이콘이 완전히 채워지지 않습니다(1.5V 인 알칼리 건전지와 달리 NiMH 충전지의 전압은 1.2V 임). 아이콘이 완충되지 않은 것으로 표시되더라도 2,300mAh NiMH 충전지는 새 알칼리 건전지 대비 기기 작동 시간(재충전까지의 시간)의 90%까지 사용할 수 있습니다.

주의사항

건전지 누액에 의해 계측기가 손상되지 않도록 장시간 사용하지 않을 때는 건전지를 빼놓으십시오.

본 계측기는 AA 알칼리 건전지 또는 NiMH 충전지를 사용하여 작동합니다. 건전지 소모를 줄이기 위해 계측기는 5분 동안 사용되지 않으면 꺼집니다. 이 시간은 **Display Options** 메뉴에서 변경할 수 있습니다.

건전지 설치에 대해서는 **그림 4** 를 참조하십시오.

1. 건전지 덮개 나사 3 개를 풀고 건전지 덮개를 분리합니다.

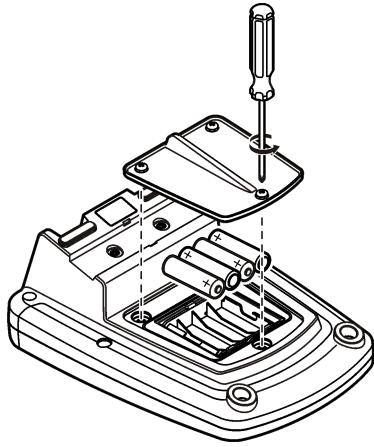
참고: 건전지 덮개에서 나사를 분리하지 마십시오.

2. AA 알칼리 건전지 4 개 또는 AA NiMH(Nickel Metal Hydride) 충전지 4 개를 설치합니다. 건전지의 양극과 음극을 올바르게 맞춰 설치해야 합니다.

3. 건전지 덮개를 다시 끼웁니다.

참고: 나사를 너무 강하게 조이지 마십시오.

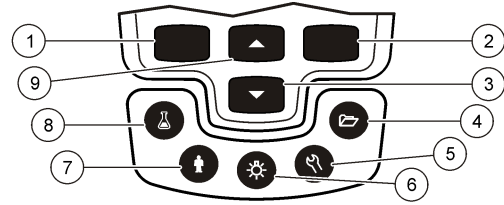
그림 4 건전지 설치



사용자 인터페이스 및 탐색

사용자 인터페이스

그림 5 키패드 설명



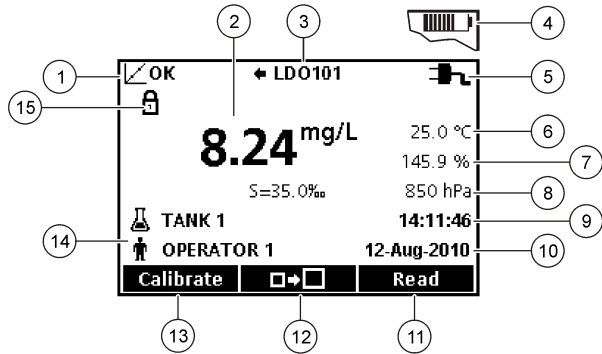
| | |
|---|--|
| 1 왼쪽 키: 교정하거나, 취소하거나, 현재 메뉴를 종료합니다. | 6 백라이트: 디스플레이 조명을 끕니다. |
| 2 오른쪽 키: 관독하거나, 선택하거나, 확인하거나, 데이터를 저장합니다. | 7 작동자 ID: 데이터를 작동자와 연결합니다. |
| 3 아래로 키: 메뉴를 스크롤하거나, 숫자/글자를 입력하거나, 관독 화면 보기를 변경합니다. | 8 샘플 ID: 데이터를 샘플 위치와 연결합니다. |
| 4 데이터 로그: 저장된 데이터를 불러 오거나 전송합니다. | 9 위로 키: 메뉴를 스크롤하거나, 숫자 및 글자를 입력하거나, 관독 화면 보기를 변경합니다. |
| 5 계측기 옵션: 설정을 변경하고, 검사 표준을 실행하고, 계측기 정보를 봅니다. | |

디스플레이 설명

측정 화면

계측기 디스플레이에는 농도, 단위, 온도, 교정 상태, 작동자 ID, 샘플 ID, 날짜 및 시간 등이 표시됩니다(그림 6).

그림 6 단일 화면 디스플레이



| | |
|------------------------------|------------------------|
| 1 교정 상태 표시기 | 9 시간 |
| 2 주 측정 값 및 단위 | 10 날짜 |
| 3 IntelliCAL 프로브 유형 및 포트 표시기 | 11 관독(OK, Select) |
| 4 건전지 상태 | 12 디스플레이 크기 아이콘 |
| 5 전원 | 13 교정(Cancel, Exit) |
| 6 샘플 온도(°C 또는 °F) | 14 샘플 및 작동자 식별 |
| 7 보조 측정 단위 | 15 안정도 또는 디스플레이 잠금 표시기 |
| 8 제 3의 단위(일부 프로브에 해당) | |

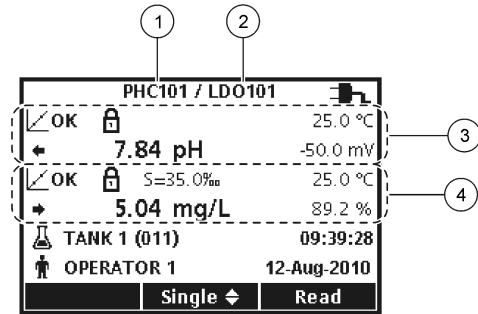
이중 화면 모드(HQ440d 모델만 해당)

HQ440d 계측기에 두 개의 프로브가 연결되어 있을 때 디스플레이는 두 프로브의 관독값을 동시에 보여 줄 수도 있고, 한 프로브의 값만 보여 줄 수도 있습니다(그림 7).

참고: 프로브를 교정할 때는 화면 모드를 단일 화면 모드로 변경하십시오.

화면 모드를 단일 또는 이중 화면으로 변경하려면 △ 및 ▽ 키를 사용하십시오. 이중 화면 모드에서 △ 키는 왼쪽의 프로브를 선택하고, ▽ 키는 오른쪽의 프로브를 선택합니다.

그림 7 이중 화면 디스플레이



| | |
|--------------------|----------------------|
| 1 왼쪽의 포트에 연결된 프로브 | 3 왼쪽의 프로브에 대한 측정 정보 |
| 2 오른쪽의 포트에 연결된 프로브 | 4 오른쪽의 프로브에 대한 측정 정보 |

탐색

계측기에는 다양한 옵션을 변경할 수 있는 메뉴가 있습니다. △ 및 ▽ 키를 사용하여 각 옵션을 강조 표시합니다. 오른쪽 키를 눌러 옵션을 선택합니다. 옵션은 다음 두 가지 방법으로 변경합니다.

1. 목록에서 옵션을 선택합니다. 옵션을 선택할 때는 △ 및 ▽ 키를 사용합니다. 확인란이 표시되면 둘 이상의 옵션을 선택할 수 있습니다. Select 아래에서 왼쪽 키를 누릅니다.

참고: 확인란을 선택 해제하려면 Deselect 아래에서 왼쪽 키를 누릅니다.

2. 화살표 키를 사용하여 옵션 값을 입력합니다. △ 및 ▽ 키를 눌러 값을 입력하거나 변경합니다.
3. 오른쪽 키를 눌러 다음 공백으로 이동합니다.
4. OK 아래에서 오른쪽 키를 눌러 값을 적용합니다.

시작

계측기 켜기 및 끄기

⏻ 키를 눌러 계측기를 켜거나 끕니다. 계측기가 켜지지 않으면 AC 전원 공급장치가 전기 콘센트에 올바르게 연결되었는지 또는 건전지가 올바르게 설치되었는지 확인하십시오.

언어 변경

계측기 전원을 처음으로 켤 때 디스플레이 언어를 선택합니다. Meter Options 메뉴에서 언어를 변경할 수도 있습니다.

언어 메뉴에 대한 액세스는 Security Options 를 사용하여 제한할 수 있습니다.

제조업체의 웹 사이트에서 추가 정보를 확인할 수 있습니다.

1. 🗣️ 키를 누르고 Language 를 선택합니다.
2. 목록에서 언어를 선택합니다.

참고: 또한 계측기가 켜지는 동안 전원 키를 누르고 있으면 언어를 변경할 수 있습니다.

날짜 및 시간 변경

날짜 및 시간은 날짜 및 시간 메뉴에서 변경할 수 있습니다.

1. 🗣️ 키를 누르고 Date & Time 을 선택합니다.

2. 날짜 및 시간 정보 업데이트:

옵션 설명

형식 아래의 날짜 및 시간 형식 중 한 가지를 선택합니다. △ 및 ▽ 키를 사용하여 형식 옵션 중에서 선택합니다.

dd-mm-yyyy 24h

dd-mm-yyyy 12h

mm/dd/yyyy 24h

mm/dd/yyyy 12h

dd-mmm-yyyy 24h

dd-mmm-yyyy 12h

yyyy-mm-dd 24h

yyyy-mm-dd 12h

날짜 △ 및 ▽ 키를 사용하여 현재 날짜를 입력합니다.

시간 △ 및 ▽ 키를 사용하여 현재 시간을 입력합니다.

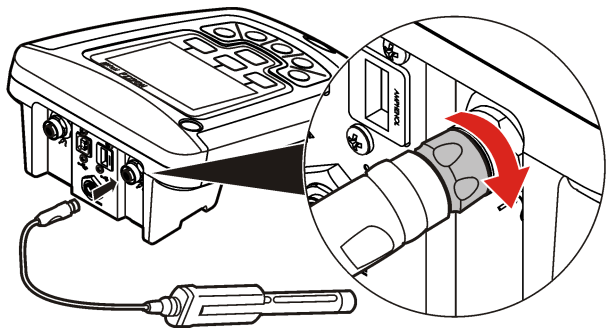
현재 날짜와 시간이 화면에 표시됩니다.

날짜 및 시간 설정 후에 프로브를 연결하면 언제든지 계측기를 사용하여 측정할 수 있습니다.

프로브 연결

1. 디스플레이에 현재 날짜 및 시간이 표시되는지 확인합니다.
참고: 프로브의 타임 스탬프는 프로브가 계측기에 처음 연결될 때 설정됩니다. 이 타임 스탬프를 활용하여 프로브 내역을 기록하고 측정 수행 시간을 기록할 수 있습니다.
2. 프로브를 계측기에 꽂습니다(그림 8).
3. 잠금 너트를 밀어 넣고 돌려서 조입니다.

그림 8 프로브 연결

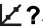


표준 작동

교정 정보

각 프로브는 서로 다른 유형의 교정 용액을 사용합니다. 가장 높은 수준의 정확도를 유지하도록 프로브를 자주 교정하십시오.

참고: 단계별 지침은 각 프로브에 포함된 문서를 참조하십시오.

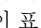
교정 아이콘  은 다음을 의미할 수 있습니다.

- 교정 타이머가 만료되었습니다.
- LDO 센서 캡을 교체해야 합니다.
- 교정이 범위를 벗어났습니다.
- 교정 결과가 허용 기준 설정을 벗어났습니다.

샘플 측정 정보

각 프로브에는 샘플 측정을 수행하기 위한 특정 준비 단계 및 절차가 있습니다. 단계별 지침은 프로브에 포함된 문서를 참조하십시오.


검사 표준 정보

검사 표준의 실행은 알려진 값의 용액을 측정함으로써 기기의 정확도를 확인합니다. 검사 표준을 통과했는지 여부가 계측기에 표시됩니다. 검사 표준을 통과하지 못하면 프로브가 교정될 때까지 교정 아이콘  이 표시됩니다.

지정된 간격으로, 지정된 허용 기준의 검사 표준 측정에 대한 알림을 자동으로 표시하도록 계측기를 설정할 수 있습니다. 알림, 검사 표준 값 및 허용 기준은 변경될 수 있습니다. 단계별 지침은 프로브에 포함된 문서를 참조하십시오.

샘플 ID 사용


샘플 ID 태그는 측정값을 특정 샘플 위치와 연결시키는 데 사용됩니다. 할당된 경우, 저장 데이터에 샘플 ID가 포함됩니다.

1.  키를 누릅니다.
2. ID 선택, 만들기 또는 삭제:

| 옵션 | 설명 |
|-------------|--|
| 현재 ID | 목록에서 ID를 선택합니다. 다른 ID를 선택할 때까지 현재 ID가 샘플 데이터에 연결됩니다. |
| 새 샘플 ID 만들기 | 새 샘플 ID에 대한 이름을 입력합니다. |
| 샘플 ID 삭제 | 기존 샘플 ID를 삭제합니다. |

작동자 ID 사용

작동자 ID 태그는 측정값을 개별 작동자와 연결시킵니다. 모든 저장 데이터에 작동자 ID가 포함됩니다.

1.  키를 누릅니다.
2. 작동자 ID 선택, 만들기 또는 삭제:

| 옵션 | 설명 |
|-------|--|
| 현재 ID | 목록에서 ID를 선택합니다. 다른 ID를 선택할 때까지 현재 ID가 샘플 데이터에 연결됩니다. |

| 옵션 | 설명 |
|--------------|------------------------------------|
| 새 작동자 ID 만들기 | 새 작동자 ID의 이름을 입력합니다(최대 10 개까지 가능). |
| 작동자 ID 삭제 | 기존 작동자 ID를 삭제합니다. |

데이터 관리

저장된 데이터 정보

다음 유형의 데이터가 데이터 로그에 저장됩니다.

- 샘플 측정: **Press to Read** 또는 **Interval** 모드에서 샘플을 측정할 때마다 자동으로 저장됩니다. **Continuous** 측정 모드를 사용할 때는 **Store** 를 선택한 경우에만 데이터가 저장됩니다.
- 교정: 교정을 마친 후에 **Store** 를 선택할 때만 저장됩니다. 교정 데이터는 **IntelliCAL(R)** 프로브에도 저장됩니다.
- 검사 표준 측정: **Press to Read** 또는 **Interval** 모드에서 검사 표준을 측정할 때마다 자동으로 저장됩니다.

데이터 로그가 꽉 차면(500 개의 데이터 지점) 새 데이터 지점이 추가될 때 가장 오래된 데이터 지점이 삭제됩니다. 전체 데이터 로그를 삭제하면 프린터 또는 PC 로 이미 전송된 데이터도 제거됩니다(☞ 키 > **Delete Data Log**). 사용자가 데이터 로그를 삭제할 수 없도록 하려면 **Security Options** 메뉴를 사용하십시오.

저장된 데이터 보기

데이터 로그에는 샘플, 교정 및 검사 표준 데이터가 들어 있습니다. 데이터 로그에서 가장 최근의 데이터 지점에 **Data Point 001** 태그가 붙습니다.

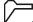
1. ☞ 키를 누릅니다.
2. **View Data Log** 를 선택하여 저장된 데이터를 봅니다. 가장 최근의 데이터 지점이 표시됩니다. 화면 위쪽에는 샘플 관독값, 교정, 검사 표준

중 어디에서 데이터를 가져온 것인지 표시됩니다. ☐ 키를 눌러 그 다음 최신 데이터 지점을 봅니다.

| 옵션 | 설명 |
|---------------------------|--|
| Reading Log | Reading Log - 시간, 날짜, 작동자 및 샘플 ID 를 비롯한 샘플 측정값을 보여 줍니다. 연결된 교정 데이터를 보려면 Details 를 선택합니다. |
| Calibration Log | Calibration Log - 교정 데이터를 보여 줍니다. 교정에 대한 추가 정보를 보려면 Details 를 선택합니다. |
| Check Standard Log | Check Standard Log - 검사 표준 측정값을 보여 줍니다. 측정과 연관된 교정 데이터를 보려면 Details 를 선택합니다. |

저장된 프로브 데이터 보기

프로브가 계측기에 연결되어 있는지 확인하십시오. 두 개의 프로브가 연결되어 있는 경우 메시지가 나타날 때 원하는 프로브를 선택하십시오.

1. 프로브에 저장된 교정 데이터를 보려면  키를 누르고 View Probe Data 를 선택합니다. 현재 교정과 프로브의 교정 내역을 볼 수 있습니다.

| 옵션 | 설명 |
|---------------------------------|---|
| View Current Calibration | 현재 교정 정보는 가장 최근 교정의 자세한 교정 정보를 보여 줍니다. 사용자가 프로브를 교정하지 않은 경우에는 출고 시 교정 데이터가 표시됩니다. |
| View Calibration History | 교정 내역은 프로브가 교정된 시점의 목록을 보여 줍니다. 교정 데이터 요약을 보려면 날짜 및 시간을 선택하십시오. |

저장된 데이터 인쇄

USB 연결을 시작하려면 계측기를 AC 전원에 연결해야 합니다. 계측기를 켜기 전에 AC 전원에 연결되어 있는지 확인하십시오.

모든 데이터를 프린터로 전송할 수 있습니다. PD-24 Citizen Printer 는 HQd 계측기와 호환되며 HQ 계측기 규격인 FCC Part 15B, Class B 를 준수합니다. 다른 프린터는 호환되지 않을 수도 있습니다. 호환되는 프린터는 최소 72 개 데이터 열을 지원하고 1 개, 2 개 및 3 개 텍스트 줄에 최대 500 개의 연속 데이터 스트림 이벤트를 인쇄하고 코드 페이지 437 및 코드 페이지 850 을 완벽하게 지원해야 합니다.


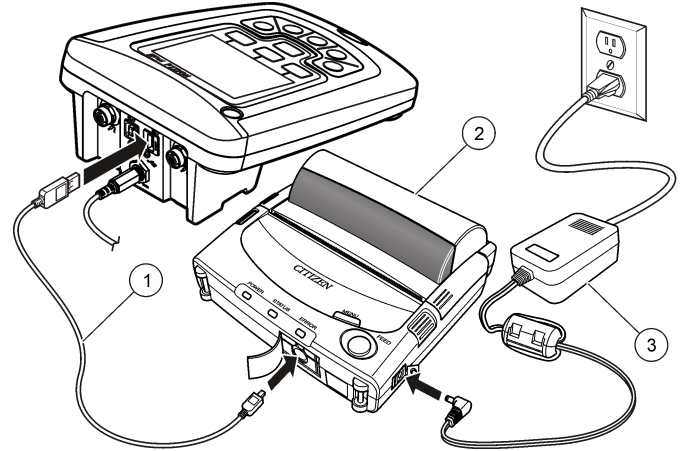
1. 계측기를 끕니다. 계측기가 AC 전원에 연결되어 있는지 확인합니다. **AC 전원에 연결** 페이지의 85 을 참조하십시오.
2. USB 케이블 type A 를 사용하여 프린터를 계측기에 연결합니다. **그림 9** 를 참조하십시오.
3. 계측기를 켭니다.
4.  키를 누릅니다.
5. **Send Data Log** 를 선택합니다. 디스플레이에 “Transfer Complete”가 표시될 때까지 기다린 후, 프린터가 인쇄를 멈출 때까지 기다립니다. 프린터를 연결 해제합니다.

그림 9 프린터 연결




| | |
|--|-----------------------------------|
| 1 USB 케이블 | 3 프린터용 AC-DC 전원공급장치(선택 사양) |
| 2 Citizen Printer, FCC Part 15B, Class B 규격 | |

보고서 옵션 변경

샘플 보고서를 위한 인쇄된 보고서는 1 개, 2 개 또는 3 개의 정보 줄을 포함할 수 있습니다.

제조업체의 웹 사이트에서 추가 정보를 확인할 수 있습니다.

1.  키를 누릅니다. **Report Options** 를 선택합니다.
2. **Report Type** 을 선택하고 옵션 중 하나를 선택합니다.

| 옵션 | 설명 |
|---------------------|-------------|
| Basic report | 1 개의 데이터 줄. |


| 옵션 | 설명 |
|-----------------|---|
| Advanced report | 2 개의 데이터 줄. 첫 줄에는 Basic report 와 동일한 정보가 포함되어 있습니다. |
| Total report | 3 개의 데이터 줄. 처음 두 줄에는 Advanced report 와 동일한 정보가 포함되어 있습니다. |

USB 저장 장치로 데이터 보내기

주의사항

많은 수의 데이터 지점을 전송할 때는 시간이 약간 걸립니다. 전송이 완료될 때까지 USB 저장 장치를 연결 해제하지 마십시오.

데이터는 보관을 위해 USB 저장 장치로 전송되거나, 컴퓨터로 전송될 수 있습니다.

1. 계측기를 끕니다. 계측기가 AC 전원에 연결되어 있는지 확인합니다.
2. 계측기를 켜기 전에 USB 저장 장치를 계측기에 꽂습니다.
3. 계측기를 켭니다.
4.  키를 누릅니다.
5. Send Data Log 를 선택합니다. 디스플레이에 "Transfer Complete"라고 표시되고 USB 저장 장치의 모든 표시등이 깜박임을 멈출 때까지 기다립니다. 그런 다음 USB 장치를 분리합니다.

참고: 데이터 전송 속도가 느린 경우에는 USB 저장 장치를 다시 포맷하고, 다음 사용 시에는 파일 할당 테이블(FAT) 형식을 사용하십시오.


컴퓨터에 직접 데이터 보내기

HQ40d PC Application 이 설치되어 있으면 HQd 시리즈 계측기에서 컴퓨터로 직접 데이터를 전송할 수 있습니다. 데이터 수집 중에 실시간으로 데이터를 보내거나, 전체 데이터 로그를 전송할 수 있습니다.

최신 버전의 소프트웨어를 다운로드하려면 제조업체 웹 사이트의 관련 제품 페이지를 참조하십시오.

1. HQ40d PC Application 을 컴퓨터에 설치합니다.
2. 계측기를 끕니다. 계측기가 AC 전원에 연결되어 있는지 확인합니다.
3. USB type B 케이블을 사용하여 PC 를 계측기에 연결합니다.

4. 계측기를 켭니다.
5. 컴퓨터에서 HQ40d PC Application 을 엽니다. 메뉴 모음의 녹색 삼각형을 클릭하여 연결을 시작합니다.
6. 데이터를 실시간으로 수집하거나, 데이터 로그에 있는 데이터를 전송합니다.

- 실시간 - 계측기에 데이터 지점이 저장되는 동시에 그 결과가 PC Application 으로 전송됩니다. 제조업체의 웹 사이트에서 추가 정보를 확인할 수 있습니다.
- 데이터 로그 -  키를 누르고 Send Data Log 를 선택합니다. 디스플레이에 "Transfer Complete"가 표시될 때까지 기다립니다. 데이터는 쉼표로 구분되는 값(.csv) 파일로 전송됩니다.

데이터가 HQ40d PC Application 창에 표시됩니다.

유지관리

주의



여러 가지 위험이 존재합니다. 해당 전문가가 본 문서에 의거하여 작업을 수행해야 합니다.

계측기 청소

계측기는 유지관리가 필요 없도록 설계되었으며 정상적 작동을 위해 정기적으로 청소할 필요가 없습니다. 필요한 경우 계측기의 외부 표면을 청소할 수 있습니다.

1. 물에 적신 천으로 계측기 표면을 닦습니다.
2. 면봉과 같은 도포용 도구를 사용하여 커넥터를 청소하거나 물기를 제거합니다.

건전지 교체

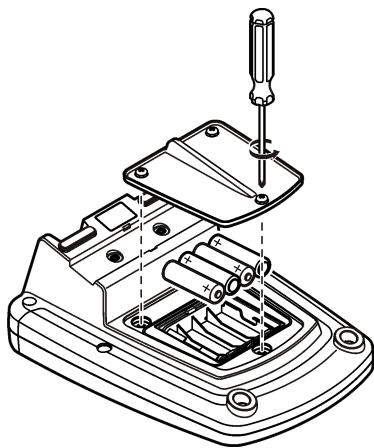
경고

폭발 위험 건전지를 잘못 설치하면 폭발성 가스가 유출될 수 있습니다. 동종의 인증된 화학 건전지인지 확인하고 올바른 방향으로 끼워져 있는지 확인하십시오. 새 건전지와 사용한 건전지를 같이 사용하지 마십시오.

건전지 교체에 대해서는 **그림 10** 을(를) 참조하십시오.

1. 건전지 덮개 나사 3 개를 풀고 건전지 덮개를 분리합니다(**그림 10**).
참고: 건전지 덮개에서 나사를 분리하지 마십시오.
2. 건전지를 빼냅니다.
3. AA 알칼리 건전지 4 개 또는 AA NiMH(Nickel Metal Hydride) 충전지 4 개를 설치합니다. 건전지의 양극과 음극을 올바르게 맞춰 설치해야 합니다.
4. 건전지 덮개를 다시 끼웁니다.
참고: 나사를 너무 강하게 조이지 마십시오.

그림 10 건전지 교체



문제 해결

아래 표에서 일반적 문제 메시지나 증상, 가능한 원인 및 해결 조치를 참조하십시오.

| 오류/경고 | 설명 | 해결 방법 |
|-------------------------|----------------------------------|---|
| 프로브 연결 | 프로브 연결이 해제되거나 잘못 연결됨 | 프로브 커넥터의 잠금 너트를 조이십시오. 프로브를 연결 해제한 후 다시 연결하십시오. |
| | 소프트웨어가 최신 버전으로 업데이트되어 있지 않음 | 최신 버전의 소프트웨어를 다운로드하려면 제조업체 웹 사이트의 관련 제품 페이지를 참조하십시오. |
| | 프로브 문제 | 다른 IntelliCAL 프로브를 연결하여 프로브에 문제가 있는지 아니면 계측기에 문제가 있는지를 확인하십시오. |
| 지원되지 않는 프로브 | 프로브 연결이 해제되거나 잘못 연결됨 | 프로브 커넥터의 잠금 너트를 조이십시오. 프로브를 연결 해제한 후 다시 연결하십시오. |
| | 소프트웨어가 최신 버전으로 업데이트되어 있지 않음 | 최신 버전의 소프트웨어를 다운로드하려면 제조업체 웹 사이트의 관련 제품 페이지를 참조하십시오. |
| | 프로브 문제 | 다른 IntelliCAL 프로브를 계측기에 연결하여 계측기에 문제가 있는지 아니면 프로브에 문제가 있는지를 확인하십시오. |
| | HQd 계측기가 IntelliCAL 프로브를 지원하지 않음 | 기술 지원부에 문의하십시오. |
| Bootloader X.X.XX.XX 오류 | 소프트웨어가 최신 버전으로 업데이트되어 있지 않음 | 최신 버전의 소프트웨어를 다운로드하려면 제조업체 웹 사이트의 관련 제품 페이지를 참조하십시오. |

| 오류/경고 | 설명 | 해결 방법 |
|------------------------------|--------------------------------|--|
| 0 일 남은 메시지 (LDO 및 LBOD 만 해당) | LDO 또는 LBOD 센서 캡이 365 일 동안 사용됨 | LDO 또는 LBOD 센서 캡과 iButton®을 교체하십시오. |
| | LDO 센서 캡의 수명이 0 일 남음 | LDO 센서 캡을 교체하십시오. 교정이 허용됩니다. 그러나 교정을 통과 하더라도 측정 화면에 교정 아이콘과 물음표가 나타납니다. |
| | 계측기의 날짜 및 시간이 잘못 설정됨 | <ol style="list-style-type: none"> 1. 계측기에서 프로브를 연결 해제합니다. 2. 계측기 건전지를 빼냅니다. 3. 계측기 건전지를 올바르게 끼웁니다. 양극과 음극을 맞춥니다. 4. 계측기에서 올바른 날짜 및 시간을 설정합니다. 5. 프로브를 연결하고 메시지가 사라졌는지 확인합니다. |
| | 소프트웨어가 최신 버전으로 업데이트되어 있지 않음 | 최신 버전의 소프트웨어를 다운로드하려면 제조업체 웹 사이트의 관련 제품 페이지를 참조하십시오. |
| 계측기 구성 안 됨 | 소프트웨어 오류 | 계측기가 올바르게 시작되면 Data Log 및 Method 파일을 백업하십시오. 최신 버전의 소프트웨어를 다운로드하려면 제조업체 웹 사이트의 관련 제품 페이지를 참조하십시오. |

| 오류/경고 | 설명 | 해결 방법 |
|--|-----------------------------|---|
| 계측기가 켜지지 않거나 간헐적으로 켜짐 | 건전지가 올바르게 설치되어 있지 않음 | 건전지 방향을 점검하여 건전지의 양극과 음극이 올바르게 설치되어 있는지 확인하십시오. 다시 테스트해 보십시오. 건전지 단자를 청소한 후에 새 건전지를 설치하십시오. AC 전원 어댑터에 연결하고 다시 테스트해 보십시오. |
| | 소프트웨어가 최신 버전으로 업데이트되어 있지 않음 | 최신 버전의 소프트웨어를 다운로드하려면 제조업체 웹 사이트의 관련 제품 페이지를 참조하십시오. |
| | 계측기가 손상됨 | 기술 지원부에 문의하십시오. |
| Full Access Options 화면에 액세스할 수 없음 | 올바른 암호가 입력되지 않았음 | 기술 지원부에 문의하십시오. |
| Full Access Options 또는 Operator Access Options 화면에 액세스할 수 없음 | 소프트웨어가 최신 버전으로 업데이트되어 있지 않음 | 최신 버전의 소프트웨어를 다운로드하려면 제조업체 웹 사이트의 관련 제품 페이지를 참조하십시오. |

สารบัญ

รายละเอียดทางเทคนิค ในหน้า 96

ข้อมูลทั่วไป ในหน้า 96

การติดตั้ง ในหน้า 98

อินเทอร์เฟซผู้ใช้และโครงสร้างเมนู ในหน้า 100

การเริ่มทำงาน ในหน้า 102

การทำงานมาตรฐาน ในหน้า 103

การจัดการข้อมูล ในหน้า 104

การดูแลรักษา ในหน้า 106

การแก้ไขปัญหา ในหน้า 106

รายละเอียดทางเทคนิค

รายละเอียดทางเทคนิคอาจมีการเปลี่ยนแปลงโดยไม่ต้องแจ้งให้ทราบ

| รายละเอียดทางเทคนิค | รายละเอียด |
|---------------------------|---|
| ขนาด | 17.48 x 8.59 x 23.5 ซม. (6.88 x 3.38 x 9.25 นิ้ว) |
| น้ำหนัก | 750 กรัม (1.65 ปอนด์) ขณะไม่ใส่แบตเตอรี่ |
| กล่องหุ้มมิเตอร์ | IP54 เมื่อปิดฝาครอบแบตเตอรี่อย่างมิดชิด (ป้องกันฝุ่นและละอองน้ำ) |
| การใช้พลังงาน (ภายใน) | ถ่านอัลคาไลน์ หรือแบตเตอรี่ชนิดชาร์จไฟใหม่ได้ Nickel Metal Hydride (NiMH) ขนาด AA (4) อายุการใช้งานของแบตเตอรี่: สูงสุด 200 ชั่วโมง |
| การใช้พลังงาน (ภายนอก) | Class III อะแดปเตอร์พลังงานภายนอก: 100–240 VAC, อินพุต 50/60 Hz; เอาต์พุต 4.5 ถึง 7.5 VDC (7 VA) |
| ระดับการป้องกันตัวเครื่อง | Class I |
| อุณหภูมิการจัดเก็บ | -20 ถึง +60 °C (-4 ถึง +140 °F) |
| อุณหภูมิการทำงาน | 5 ถึง 45 °C(41 ถึง 113 °F) |
| ความชื้นในการทำงาน | 90% (ไม่ควบแน่น) |
| ขั้วต่ออินพุตแบบ 5 ขา | ขั้วต่อ M12 สำหรับโทรบของ IntelliCAL™ |
| หน่วยความจำข้อมูล (ภายใน) | 500 ผลลัพธ์ |
| การจัดเก็บข้อมูล | อัตโนมัติจะใช้โหมดคดเพื่ออ่าน และโหมดช่วงเวลา เมื่อนานลงจะใช้โหมดอ่านต่อเนื่อง |

| รายละเอียดทางเทคนิค | รายละเอียด |
|-----------------------|---|
| การส่งออกข้อมูล | เชื่อมต่อกับคอมพิวเตอร์หรืออุปกรณ์เก็บข้อมูล USB ผ่านทาง USB (จำกัดตามความจุของอุปกรณ์เก็บข้อมูล) ถ่ายโอนบันทึกข้อมูลทั้งหมดหรือเมื่อมีการเก็บค่า |
| การเชื่อมต่อ | USB ในตัวชนิด A (สำหรับอุปกรณ์หน่วยความจำแฟลช USB, เครื่องพิมพ์, เป็นพิมพ์) และ USB ในตัวชนิด B (สำหรับคอมพิวเตอร์) |
| การปรับอุณหภูมิ | ปิด, อัตโนมัติ และแมนนวล (ขึ้นอยู่กับพารามิเตอร์) |
| การถือการแสดงผลการวัด | โหมดการวัดต่อเนื่อง, ช่วงเวลา หรือคดเพื่ออ่าน ฟังก์ชันการหาค่าเฉลี่ยสำหรับโทรบ LDO |
| เป็นพิมพ์ | ขั้วต่อเป็นพิมพ์คอมพิวเตอร์ภายนอกด้วย USB/อะแดปเตอร์ DC |

ข้อมูลทั่วไป

ข้อมูลฉบับแก้ไขจะมีจัดไว้ให้ในเว็บไซด์ของผู้ผลิต

ข้อมูลเพื่อความปลอดภัย

หมายเหตุ

ผู้ผลิตจะไม่รับผิดชอบต่อความเสียหายใดๆ ที่เกิดจากการนำผลิตภัณฑ์ไปใช้หรือการใช้งานที่คิดไว้ประสงค์ รวมถึงแต่ไม่จำกัดเพียงความเสียหายทางตรง ความเสียหายที่ไม่ได้ตั้งใจ และความเสียหายที่ต่อเนื่องตามมา และขอปฏิเสธในการรับผิดชอบต่อความเสียหายเหล่านี้ในระดับสูงสุดเท่าที่กฎหมายที่เกี่ยวข้องจะอนุญาต ผู้ใช้เป็นผู้รับผิดชอบแต่เพียงผู้เดียวในการระบุถึงความเสี่ยงในการนำไปใช้งานที่สำคัญ และการติดตั้งกลไกที่เหมาะสมเพื่อป้องกันกระบวนการต่างๆ ที่เป็นไปได้ในกรณีอุปกรณ์ทำงานผิดพลาด

กรุณาอ่านคู่มือฉบับนี้โดยละเอียดก่อนเปิดกล่อง คิดตั้งหรือใช้งานอุปกรณ์นี้ ศึกษาอันตรายและข้อควรระวังต่าง ๆ ที่แจ้งให้ทราบให้ครบถ้วน หากไม่ปฏิบัติตามอาจทำให้เกิดการบาดเจ็บร้ายแรงต่อผู้ใช้หรือเกิดความเสียหายต่ออุปกรณ์




ตรวจดูว่าชิ้นส่วนป้องกันของอุปกรณ์ไม่มีความเสียหาย ห้ามใช้หรือติดตั้งอุปกรณ์ในลักษณะอื่นใดนอกจากที่ระบุไว้ในคู่มือนี้

การใช้ข้อมูลแจ้งเตือนเกี่ยวกับอันตราย

| |
|--|
| ⚠️ อันตราย |
| ระบุอันตรายที่อาจเกิดขึ้น ซึ่งหากไม่หลีกเลี่ยง อาจทำให้เสียชีวิตหรือได้รับบาดเจ็บร้ายแรงได้ |
| ⚠️ คำเตือน |
| ระบุอันตรายที่อาจเกิดขึ้น ซึ่งหากไม่หลีกเลี่ยง อาจทำให้เสียชีวิตหรือได้รับบาดเจ็บร้ายแรงได้ |
| ⚠️ ข้อควรระวัง |
| ระบุอันตรายที่อาจเกิดขึ้นซึ่งอาจทำให้เกิดการบาดเจ็บเล็กน้อยถึงปานกลาง |
| หมายเหตุ |
| ข้อควรทราบระบุกรณีที่หากไม่หลีกเลี่ยง อาจทำให้อุปกรณ์ได้รับความเสียหายได้ ข้อมูลที่ต้องการเน้นย้ำเป็นพิเศษ |

ผลการระบุข้อควรระวัง

อ่านฉลากและป้ายระบุทั้งหมดที่จัดมาพร้อมกับอุปกรณ์ อาจเกิดการบาดเจ็บหรือความเสียหายต่ออุปกรณ์หากไม่ปฏิบัติตาม ลูมี้อ้างอิงสัญลักษณ์ที่ตัวอุปกรณ์พร้อมข้อความเพื่อเฝ้าระวังเบื้องต้น

| | |
|---|--|
|  | หากปรากฏสัญลักษณ์นี้ที่ตัวอุปกรณ์ กรุณาตรวจสอบละเอียดจากคู่มือการใช้งานและ/หรือข้อมูลเพื่อความปลอดภัย |
|  | สัญลักษณ์นี้ระบุว่าควรสัมผัสส่วนที่มีการทำเครื่องหมายด้วยความระมัดระวัง |
|  | อุปกรณ์อิเล็กทรอนิกส์ที่มีเครื่องหมายนี้ไม่สามารถทิ้งแบบขยะปกติในเขตยุโรป ตามหลักเกณฑ์ที่ประกาศใช้หลังจากวันที่ 12 สิงหาคม 2005 หากไม่ปฏิบัติตามข้อบังคับในเขตยุโรปหรือในพื้นที่ (EU Directive 2002/96/EC) ผู้ใช้อุปกรณ์ไฟฟ้าในยุโรปจะต้องส่งคืนผลิตภัณฑ์เก่าหรือที่หมดอายุการใช้งานแล้วให้แก่ผู้ผลิตเพื่อกำจัดตามความเหมาะสมโดยผู้ใช้ไม่ต้องเสียค่าใช้จ่ายใด ๆ <i>บันทึก:</i> ในกรณีการส่งคืนเพื่อรีไซเคิล กรุณาติดต่อผู้ผลิตอุปกรณ์หรือจำหน่ายหลายเออร์เพื่อรับทราบคำแนะนำในการส่งคืนอุปกรณ์ที่หมดอายุ อุปกรณ์ไฟฟ้าที่ผู้ผลิตจัดหาให้ หรืออุปกรณ์เสริมใด ๆ เพื่อให้มีการกำจัดอย่างถูกต้อง |

ภาพรวมผลิตภัณฑ์

มิเตอร์สำหรับห้องทดลองซีรีส์ HQd จะทำงานร่วมกับโพรบของ IntelliCAL™ เพื่อวัดพารามิเตอร์ต่างๆ ในน้ำ มิเตอร์จะทำการอ่านค่าชนิดของโพรบที่เชื่อมต่อกับมิเตอร์เองโดยอัตโนมัติ สามารถจัดเก็บข้อมูลการวัดและถ่ายโอนไปยังเครื่องพิมพ์ คอมพิวเตอร์ หรืออุปกรณ์เก็บข้อมูล USB ได้ (โปรดดูรายละเอียดใน รูปที่ 1)

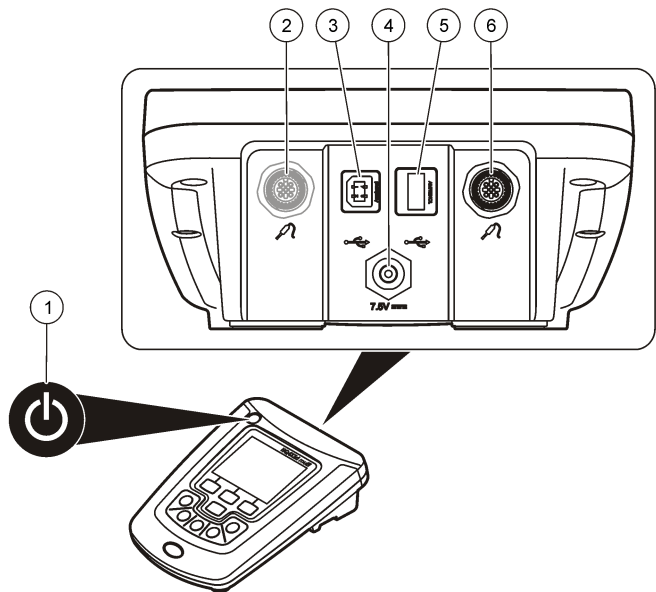
มิเตอร์ซีรีส์ HQd จะมีอยู่ทั้งหมด 3 รุ่น:

- HQ411d—pH/mV/ORP (Redox)
- HQ430d—Multi-parameter, หนึ่งโพรบอินพุต
- HQ440d—Multi-parameter, สองโพรบอินพุต

คุณสมบัติทั่วไปของทุกรุ่น

- ตรวจสอบอัตโนมัติและจำแนกพารามิเตอร์โดยอัตโนมัติ
- แนะนำขั้นตอนการปรับเทียบจากภายในตัวอุปกรณ์
- จัดเก็บข้อมูลการปรับเทียบไว้ในโพรบ
- การตั้งค่าวิธีการตรวจสอบโดยเฉพาะเพื่อให้เป็นไปตามกฎข้อบังคับ และข้อปฏิบัติที่ดีในห้องปฏิบัติการ (GLP)
- ตัวเลือกต่างๆ ด้านความปลอดภัย
- บันทึกข้อมูลแบบเรียลไทม์ด้วยการเชื่อมต่อ USB
- สามารถเชื่อมต่อ USB กับคอมพิวเตอร์/เครื่องพิมพ์/อุปกรณ์เก็บข้อมูล USB/เป็นพิมพ์ได้
- สื่อสารแบบสองทางกับระบบที่ทำงานบนคอมพิวเตอร์ด้วยการเชื่อมต่อผ่านพอร์ตอนุกรมเสมือน
- ระบบ ID ตัวอย่าง และ ID ผู้ควบคุม เพื่อความสามารถในการติดตามข้อมูล
- ระบบปิดเครื่องอัตโนมัติที่สามารถปรับตั้งได้

รูปที่ 1 ภาพรวมผลิตภัณฑ์

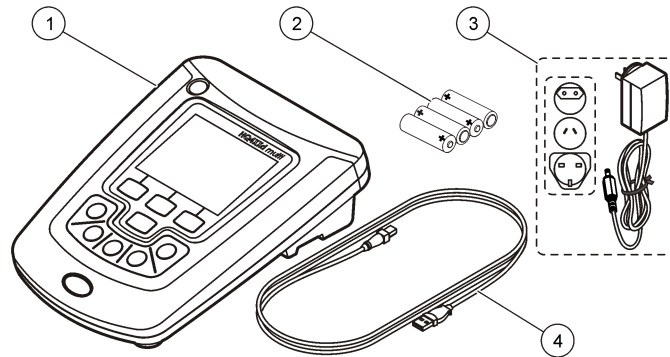


| | | | |
|---|---|---|--|
| 1 | เปิด/ปิด: เปิดหรือปิดมิเตอร์ | 4 | ขั้วต่อไฟ DC |
| 2 | พอร์ตเชื่อมต่อโทรเบ (รุ่น HQ440d) | 5 | ขั้วต่อ USB ชนิด A (สำหรับอุปกรณ์จัดเก็บ USB, เครื่องพิมพ์ และเป็นพิมพ์) |
| 3 | ขั้วต่อ USB ชนิด B (สำหรับการเชื่อมต่อกับคอมพิวเตอร์) | 6 | พอร์ตสำหรับเชื่อมต่อโทรเบ |

ส่วนประกอบของผลิตภัณฑ์

โปรดดูที่ รูปที่ 2 เพื่อตรวจสอบให้แน่ใจว่าคุณได้รับครบทุกชิ้นส่วนของผลิตภัณฑ์ หากพบว่าชิ้นส่วนใดสูญหายหรือชำรุด โปรดติดต่อผู้ผลิตหรือพนักงานขายพื้นที่

รูปที่ 2 ส่วนประกอบของมิเตอร์



| | | | |
|---|--|---|------------------------------------|
| 1 | มิเตอร์รุ่น HQ440d, HQ430d หรือ HQ411d | 3 | อะแดปเตอร์เนกประสงค์ |
| 2 | แบตเตอรี่ AA (4 ก้อน) | 4 | สาย USB (เฉพาะรุ่น HQ440d, HQ430d) |

การติดตั้ง

⚠️ ข้อควรระวัง

! อันตรายหลายประการ ควรให้บุคลากรผู้เชี่ยวชาญเท่านั้นดำเนินการตามขั้นตอนที่ระบุในเอกสารส่วนนี้

การต่อไฟ AC

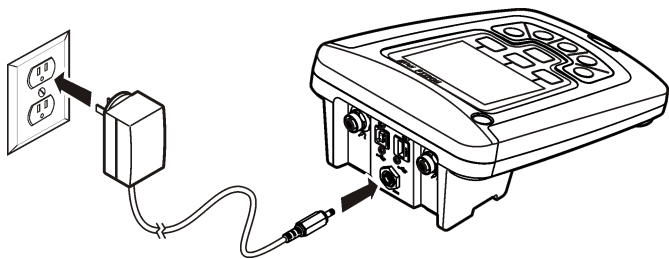
⚠️ อันตราย

⚡ อันตรายจากไฟฟ้าช็อต ฟ้าผ่า ไฟฟ้า AC ในบริเวณที่เปียกชื้นหรืออาจมีการเปิดกริ่งจะติดตั้งตัวตัดวงจรทดสอบกราวด์ (Ground Fault Interrupt - GFCI/GFI) เสมอ อะแดปเตอร์ AC-DC สำหรับผลิตภัณฑ์นี้ไม่ได้ป้องกันการไว้ จึงห้ามใช้ในพื้นที่เปียกโดยไม่ระมัดระวังป้องกัน GFCI

มิเตอร์สามารถต่อกับไฟ AC ได้ โดยใช้ชุดอะแดปเตอร์ไฟเนกประสงค์ AC

1. ปิดมิเตอร์
2. เลือกช่องรับอะแดปเตอร์ที่ตรงกับหัวเสียบจากชุดอะแดปเตอร์ **รูปที่ 3**
3. เชื่อมต่ออะแดปเตอร์ไฟเนกประสงค์เข้ากับมิเตอร์
4. เชื่อมต่ออะแดปเตอร์ไฟเนกประสงค์เข้ากับตัวรับ AC
5. เปิดมิเตอร์

รูปที่ 3 การต่อไฟ AC



การใส่แบตเตอรี่

⚠ คำเตือน

อันตรายจากการระเบิด การใส่แบตเตอรี่ไม่ถูกต้องอาจส่งผลให้เกิดการรั่วซึมของก๊าซที่ก่อให้เกิดการระเบิด ตรวจสอบให้แน่ใจว่าแบตเตอรี่ที่ใช้ เป็นสารเคมีที่ได้รับการยอมรับประเภทเดียวกัน และใส่แบตเตอรี่ตรงตามขั้ว ห้ามใส่แบตเตอรี่ใหม่ร่วมกับแบตเตอรี่เก่า

หมายเหตุ

ข้อควรทราบบางแบตเตอรี่ไม่กันน้ำ หากวางแบตเตอรี่เปียก ให้นำแบตเตอรี่ออกและเช็ดแบตเตอรี่รวมทั้งวางแบตเตอรี่ให้แห้ง ตรวจสอบหน้าต่อแบตเตอรี่ว่ามีการกัดกร่อนหรือไม่ และทำความสะอาดตามความเหมาะสม

หมายเหตุ

ข้อควรทราบในกรณีที่ใช้แบตเตอรี่นิกเกิลเมทัลไฮดรอกไซด์ (NiMH) ไอคอนแบตเตอรี่จะไม่ระบุว่าจะมีประจุไฟเต็มหลังจากใส่แบตเตอรี่ที่ชาร์จใหม่ (แบตเตอรี่ NiMH เป็นแบบ 1.2 V และแบตเตอรี่อัลคาไลน์เป็นแบบ 1.5 V) แม้ว่าไอคอนจะไม่ระบุว่าจะมีประจุไฟเต็มอยู่ แต่แบตเตอรี่ 2300 mAh NiMH จะสามารถรองรับการใช้งานอุปกรณ์ได้ยาวนานถึง 90% (ก่อนชาร์จไฟใหม่) เมื่อเทียบกับแบตเตอรี่อัลคาไลน์ใหม่

หมายเหตุ

เพื่อหลีกเลี่ยงความเสียหายที่อาจเกิดขึ้นกับมาตรวัดเนื่องจากแบตเตอรี่ที่รั่วไหล ให้นำแบตเตอรี่ออกก่อนในกรณีที่ จะไม่มีการใช้งานอุปกรณ์เป็นเวลานาน

มิเตอร์สามารถใช้แบตเตอรี่อัลคาไลน์ AA หรือแบตเตอรี่ชนิดชาร์จไฟใหม่ได้ NiMH เพื่อเป็นการยืดอายุการใช้งานของแบตเตอรี่ มิเตอร์จะปิดหลังจากที่ไม่มีการใช้งานเป็นเวลา 5 นาที คุณสามารถเปลี่ยนเวลานี้ได้ในเมนูตัวเลือกการแสดงผล

สำหรับการใส่แบตเตอรี่โปรดดู **รูปที่ 4**

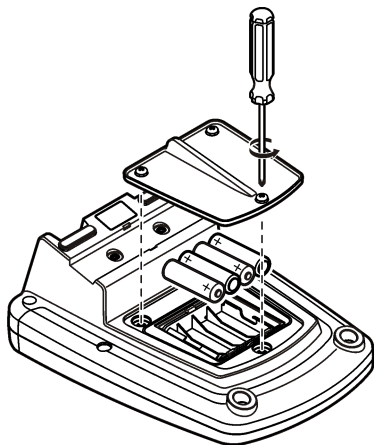
1. คลายสกรูฝาครอบแบตเตอรี่ทั้งสามตัว และถอดฝาครอบออก

บันทึก: ห้ามดึงสกรูออกจากฝาครอบแบตเตอรี่

2. ใส่แบตเตอรี่อัลคาไลน์ AA 4 ก้อน หรือแบตเตอรี่นิกเกิลเมทัลไฮดรอกไซด์ (NiMH) 4 ก้อน ตรวจสอบให้แน่ใจว่าใส่แบตเตอรี่ตรงตามขั้วที่กำหนด

3. ปิดฝาครอบแบตเตอรี่

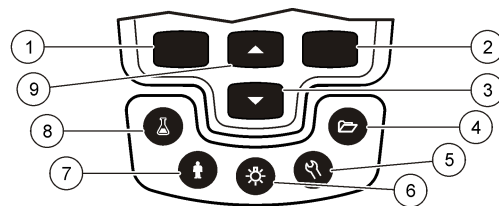
บันทึก: ห้ามขันสกรูแน่นจนเกินไป



อินเทอร์เฟซผู้ใช้และโครงสร้างเมนู

อินเทอร์เฟซผู้ใช้

รูปที่ 5 คำอธิบายปุ่มกด



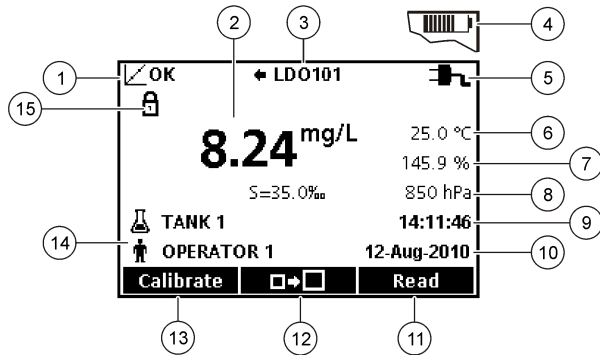
| | |
|--|--|
| 1 ปุ่มซ้าย: ปรับเทียบ, ชกเลิก หรือออกจากเมนูปัจจุบัน | 6 ไฟพื้นหลัง: ปิดไฟจอแสดงผล |
| 2 ปุ่มขวา: อ่านค่า, เลือก, ยืนยัน หรือจัดเก็บข้อมูล | 7 ID ผู้ควบคุม: เชื่อมโยงข้อมูลกับตัวบุคคล |
| 3 ปุ่มลง: เลื่อนเมนูต่างๆ, ป้อนตัวเลขและตัวอักษร หรือเปลี่ยนมุมมองหน้าจอการอ่านค่า | 8 ID ตัวอย่าง: เชื่อมโยงข้อมูลกับตำแหน่งตัวอย่าง |
| 4 บันทึกข้อมูล: เรียกคืนหรือถ่ายโอนข้อมูลที่จัดเก็บ | 9 ปุ่มขึ้น: เลื่อนเมนูต่างๆ, ป้อนตัวเลขและตัวอักษร หรือเปลี่ยนมุมมองหน้าจอการอ่านค่า |
| 5 ตัวเลือกของมิเตอร์: เปลี่ยนแปลงการตั้งค่า, เรียกใช้การตรวจสอบมาตรฐาน, ดูข้อมูลของมิเตอร์ | |

คำอธิบายจอแสดงผล

หน้าจอการวัด

หน้าจอแสดงผลของมิเตอร์จะแสดงความเข้มข้น, ยูนิต, อุณหภูมิ, สถานะการปรับเทียบ, ID ผู้ควบคุม, ID ตัวอย่าง, วันที่และเวลา (รูปที่ 6)

รูปที่ 6 การแสดงผลแบบหน้าจอเดี่ยว



| | |
|--|---|
| 1 ตัวแสดงสถานะการปรับเทียบ | 9 เวลา |
| 2 ค่าและชนิดการวัดหลัก | 10 วันที่ |
| 3 ตัวแสดงชนิดและพอร์ตของโทรบของ IntelliCAL | 11 Read (อ่านค่า) (ตกลง, เลือก) |
| 4 สถานะแบตเตอรี่ | 12 ขนาดไอคอนแสดงผล |
| 5 แหล่งพลังงาน | 13 Calibrate (ปรับเทียบ) (ยกเลิก, ออก) |
| 6 อุณหภูมิตัวอย่าง (°C หรือ °F) | 14 การจำแนกผู้ควบคุมและตัวอย่าง |
| 7 ชนิดการวัดที่สอง | 15 ค่าเสถียรภาพหรือตัวแสดงสถานะการลือคหน้าจ |
| 8 ชนิดลำดับที่สาม (สำหรับโทรบบางชนิด) | |

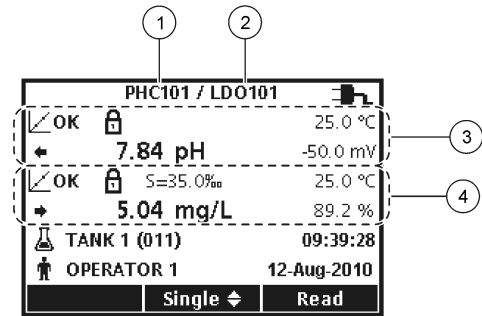
โหมดหน้าจอคู่ (เฉพาะรุ่น HQ440d)

เมื่อมีการเชื่อมต่อโทรบสองเครื่องกับ HQ440d HQ40d หน้าจอแสดงผลจะสามารถแสดงค่าจากทั้งสองโทรบได้พร้อมกัน หรือเลือกแสดงเพียงโทรบเดียวก็ได้ (รูปที่ 7)

บันทึก: สำหรับการปรับเทียบโทรบ ให้เปลี่ยนโหมดหน้าจอเป็นโหมดหน้าจอเดี่ยว

หากต้องการเปลี่ยนโหมดเป็นหน้าจอเดี่ยวหรือคู่ ใช้ปุ่ม \triangle และ ∇ ในโหมดหน้าจอคู่ ปุ่ม \triangle จะเลือกโทรบทางด้านซ้าย และปุ่ม ∇ จะเลือกโทรบทางด้านขวา

รูปที่ 7 การแสดงผลแบบหน้าจอคู่



| | |
|---------------------------------------|----------------------------------|
| 1 โทรบที่เชื่อมต่อกับพอร์ตทางด้านซ้าย | 3 ข้อมูลการวัดของโทรบทางด้านซ้าย |
| 2 โทรบที่เชื่อมต่อกับพอร์ตทางด้านขวา | 4 ข้อมูลการวัดของโทรบทางด้านขวา |

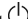
การใช้งานทั่วไป

มีเดอรีมีเมนูต่างๆ ที่ใช้ในการตั้งค่าตัวเลือกที่หลากหลาย ใช้ปุ่ม \triangle และ ∇ เพื่อทำแถบสีตัวเลือกต่างๆ กดปุ่ม ขวา เพื่อเลือกตัวเลือก คุณสามารถเปลี่ยนตัวเลือกได้สองวิธี:

- เลือกตัวเลือกจากรายการ: ใช้ปุ่ม \triangle และ ∇ เพื่อเลือกตัวเลือก หากมีช่องท่เครื่องหมายปรากฏขึ้น คุณสามารถเลือกได้มากกว่าหนึ่งตัวเลือก กดปุ่ม ข้าย ตรง Select (การเลือก)
บันทึก: หากต้องการยกเลิกการทำเครื่องหมาย กดปุ่ม ข้าย ตรงการยกเลิกการเลือก
- ป้อนค่าตัวเลือกโดยใช้ปุ่มลูกศร: กดปุ่ม \triangle และ ∇ เพื่อป้อนหรือเปลี่ยนแปลงค่า
- กดปุ่ม ขวา เพื่อไปยังช่องถัดไป
- กดปุ่ม ขวา ตรง OK (ตกลง) เพื่อขึ้นต้นค่า

การเริ่มทำงาน

เปิดและปิดมิเตอร์

กดปุ่ม  เพื่อเปิดหรือปิดมิเตอร์ หากเปิดมิเตอร์ไม่ติด ตรวจสอบให้แน่ใจว่าได้ทำการเชื่อมต่อพาวเวอร์ซัพพลาย AC กับเต้าฟ้าที่ใช้อย่างถูกต้อง หรือได้ทำการใส่แบตเตอรี่อย่างถูกต้อง

การเปลี่ยนภาษา

การเลือกภาษาสำหรับการแสดงผลจะเกิดขึ้นเมื่อเปิดใช้งานมิเตอร์เป็นครั้งแรก คุณสามารถเปลี่ยนภาษาจากเมนูตัวเลือกของมิเตอร์ได้

และสามารถจำกัดการเข้าถึงเมนูภาษาได้ด้วยตัวเลือกด้านความปลอดภัย

ดูข้อมูลเพิ่มเติมได้ในเว็บไซต์ของผู้ผลิต

1. กดปุ่ม  และเลือกภาษา

2. เลือกภาษาจากรายการ

บันทึก: ในขณะที่กำลังเปิดเครื่อง คุณสามารถเปลี่ยนภาษาได้โดยการกดปุ่มเปิดปิดค้างไว้

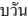
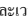
การเปลี่ยนวันที่และเวลา

คุณสามารถเปลี่ยนวันที่และเวลาได้จากเมนูวันที่และเวลา

1. กดปุ่ม  และเลือกวันที่และเวลา

2. การอัปเดตข้อมูลวันที่และเวลา:

ตัวเลือก คำอธิบาย

รูปแบบ เลือกรูปแบบวันที่และเวลารูปแบบใดรูปแบบหนึ่งด้านล่าง ใช้ปุ่ม  และ  เพื่อเลือกตัวเลือกรูปแบบ

dd-mm-yyyy 24h

dd-mm-yyyy 12h

mm/dd/yyyy 24h



mm/dd/yyyy 12h

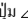

dd-mmm-yyyy 24h

dd-mmm-yyyy 12h

yyyy-mm-dd 24h

yyyy-mm-dd 12h

วันที่ ใช้ปุ่ม  และ  เพื่อป้อนวันที่ปัจจุบัน

เวลา ใช้ปุ่ม  และ  เพื่อป้อนวันที่ปัจจุบัน

วันที่และเวลาปัจจุบันจะถูกแสดงบนจอแสดงผล

เชื่อมต่อโทรพบหลังการตั้งค่าวันที่และเวลา เพื่อให้มิเตอร์พร้อมสำหรับการวัด

เชื่อมต่อโทรพบ

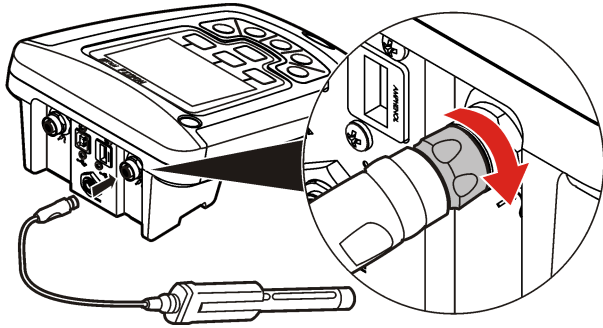
1. ตรวจสอบให้แน่ใจว่าหน้าจอแสดงวันที่และเวลาปัจจุบัน

บันทึก: ระยะเวลาของโทรพบจะถูกตั้งค่าในครั้งแรกที่ทำการเชื่อมต่อโทรพบกับมิเตอร์ ระยะเวลานี้ช่วยให้คุณสามารถบันทึกประวัติการทำงานของโทรพบ และเวลาที่ทำการวัดได้

2. เสียบโทรพบเข้ากับมิเตอร์ **รูปที่ 8**

3. กดและหมุนแหวนสกรูตัวล็อกให้แน่น

รูปที่ 8 การเชื่อมต่อโทรพบ



การทำงานมาตรฐาน

เกี่ยวกับการปรับเทียบ

แต่ละโทรพบจะใช้โซลูชันการปรับเทียบต่างชนิดกัน ต้องแน่ใจว่าปรับเทียบโทรพบเป็นประจำเพื่อรักษาให้มีความแม่นยำสูงสุด

บันทึก: สำหรับคำแนะนำโดยละเอียดทุกขั้นตอน โปรดดูเอกสารที่มาพร้อมกับตัวโทรพบ

ไอคอนการปรับเทียบ ? อาจหมายถึง:

- ตัวตั้งเวลาการปรับเทียบหมดอายุ
- การทำการเปลี่ยนฝาปิดเซนเซอร์ LCD
- การปรับเทียบอยู่ภายนอกช่วง
- ผลลัพธ์การปรับเทียบอยู่นอกเหนือเกณฑ์การยอมรับที่ตั้งค่าไว้

การตรวจวัดค่าในน้ำตัวอย่าง

โทรพบแต่ละอันจะมีขั้นตอนการเตรียมการและขั้นตอนการวัดตัวอย่างที่แตกต่างกัน สำหรับคำแนะนำโดยละเอียดทุกขั้นตอน สามารถดูได้จากเอกสารที่แนบมาพร้อมกับตัวโทรพบ

เกี่ยวกับมาตรฐานการตรวจสอบ

การเรียกใช้มาตรฐานการตรวจสอบจะช่วยตรวจสอบความแม่นยำของอุปกรณ์โดยการวัดโซลูชันของค่าที่รู้จัก มิเตอร์จะระบุว่ามาตรฐานการตรวจสอบผ่านหรือล้มเหลว หากมาตรฐานการตรวจสอบล้มเหลว ไอคอนการปรับเทียบ ? จะปรากฏขึ้นจนกว่าโทรพบจะได้รับการปรับเทียบ

มิเตอร์มีระบบการตั้งค่าเพื่อให้แสดงการเตือนโดยอัตโนมัติ ให้ทำการวัดมาตรฐานการตรวจสอบตามช่วงเวลาและเกณฑ์การยอมรับที่กำหนด โดยสามารถเปลี่ยนแปลงการเตือน ค่าของมาตรฐานการตรวจสอบ และเกณฑ์การยอมรับได้ สำหรับคำแนะนำโดยละเอียดทุกขั้นตอน โปรดดูเอกสารที่มาพร้อมกับตัวโทรพบ

การใช้ ID ตัวอย่าง

แท็ก ID ตัวอย่างมีไว้เพื่อเชื่อมโยงการวัดกับพื้นที่ตัวอย่างเฉพาะ หากกำหนดไว้ ID ตัวอย่างจะถูกรวมอยู่ในข้อมูลที่จัดเก็บด้วย

1. กดปุ่ม
2. Select (เลือก), Create (สร้าง) หรือ Delete (ลบ) ID ตัวอย่าง:

| ตัวเลือก | คำอธิบาย |
|------------------------|---|
| Current ID | เลือก ID จากรายการ รายการในปัจจุบันจะถูกเชื่อมโยงกับข้อมูลตัวอย่าง จนกว่าจะทำการเลือก ID อื่น |
| Create a New Sample ID | ป้อนชื่อสำหรับ ID ตัวอย่างใหม่ |
| Delete Sample ID | ลบ ID ตัวอย่างที่มีอยู่ |

การใช้งาน ID ผู้ควบคุม

แท็ก ID ผู้ควบคุมจะเชื่อมโยงการวัดกับผู้ควบคุมเฉพาะ ID ผู้ควบคุมจะถูกรวมอยู่ในข้อมูลที่จัดเก็บด้วย

1. กดปุ่ม
2. Select (เลือก), Create (สร้าง) หรือ Delete (ลบ) ID ผู้ควบคุม:

| ตัวเลือก | คำอธิบาย |
|------------|---|
| Current ID | เลือก ID จากรายการ รายการในปัจจุบันจะถูกเชื่อมโยงกับข้อมูลตัวอย่าง จนกว่าจะทำการเลือก ID อื่น |


| ตัวเลือก | คำอธิบาย |
|---------------------------------|---|
| Create a New Operator ID | ป้อนชื่อสำหรับ ID ผู้ควบคุมใหม่ (สามารถป้อนได้สูงสุด 10 ชื่อ) |
| Delete Operator ID | ลบ ID ผู้ควบคุมที่มีอยู่ |

การจัดการข้อมูล

เกี่ยวกับข้อมูลที่จัดเก็บ


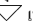
ข้อมูลชนิดต่างๆ ต่อไปนี้ จะถูกจัดเก็บไว้ในบันทึกข้อมูล

- การวัดตัวอย่าง: จะจัดเก็บโดยอัตโนมัติในแต่ละครั้งที่มีการวัดตัวอย่างด้วยโหมคคกเพื่ออ่าน หรือ โหมคคกช่วงเวลา ขณะใช้งาน โหมคคกวัดต่อเนื่อง ข้อมูลจะถูกจัดเก็บเมื่อการวัดถูกเลือกเท่านั้น
- ค่าการเปรียบเทียบ: จัดเก็บเฉพาะเมื่อมีการเลือกก่อนเสร็จสิ้นการเปรียบเทียบ ข้อมูลการเปรียบเทียบจะถูกจัดเก็บไว้ในโทรบทของ IntelliCAL (R) ด้วย
- การวัดมาตรฐานการตรวจสอบ: จะจัดเก็บโดยอัตโนมัติในแต่ละครั้งที่มีการวัดเพื่อตรวจสอบมาตรฐาน (ในโหมคคกเพื่ออ่าน หรือโหมคคกช่วงเวลา)

เมื่อความจุของบันทึกข้อมูลเต็ม (500 หน่วยข้อมูล) หน่วยข้อมูลเก่าที่สุดจะถูกลบเมื่อมีการเพิ่มหน่วยข้อมูลใหม่ คุณสามารถลบบันทึกข้อมูลทั้งหมดหลังจากการส่งไปยังเครื่องพิมพ์หรือคอมพิวเตอร์แล้วได้ (ปุ่ม  > ลบบันทึกข้อมูล) หากต้องการป้องกันไม่ให้ผู้ใช้ทำการลบบันทึกข้อมูล ให้ใช้เมนูตัวเลือกด้านความปลอดภัย

ดูข้อมูลที่จัดเก็บ

บันทึกข้อมูลจะประกอบไปด้วยข้อมูลตัวอย่าง, การเปรียบเทียบ และมาตรฐานการตรวจสอบ หน่วยข้อมูลล่าสุดในบันทึกข้อมูลจะถูกแท็กเป็นหน่วยข้อมูล 001


- กดปุ่ม 
- เลือก **View Data Log** เพื่อดูข้อมูลที่จัดเก็บ หน่วยข้อมูลล่าสุดจะปรากฏขึ้น ด้านบนของหน้าจอจะระบุว่าข้อมูลดังกล่าวมาจากค่าการวัดตัวอย่าง, การเปรียบเทียบ หรือมาตรฐานการตรวจสอบ กดปุ่ม  เพื่อดูข้อมูลถัดจากหน่วยข้อมูลล่าสุด

| ตัวเลือก | คำอธิบาย |
|--------------------|--|
| Reading Log | บันทึกการอ่านค่า—จะแสดงการวัดตัวอย่าง รวมถึง เวลา วันที่ ผู้ควบคุม และ ID ตัวอย่าง เลือก Details เพื่อดูข้อมูลการเปรียบเทียบที่เกี่ยวข้อง |

| ตัวเลือก | คำอธิบาย |
|---------------------------|--|
| Calibration Log | บันทึกการปรับเทียบ—จะแสดงข้อมูลการปรับเทียบ เลือก Details เพื่อดูข้อมูลเพิ่มเติมเกี่ยวกับการปรับเทียบ |
| Check Standard Log | บันทึกมาตรฐานการตรวจสอบ—จะแสดงการวัดมาตรฐานการตรวจสอบ เลือก Details เพื่อดูข้อมูลการปรับเทียบที่เกี่ยวข้องกับการวัด |

การดูข้อมูลที่จัดเก็บภายในโทรบท

ตรวจสอบให้แน่ใจว่าทำการเชื่อมต่อโทรบทกับมิเตอร์แล้ว หากมีการเชื่อมต่อโทรบทไว้สองเครื่อง ให้เลือกโทรบทที่ต้องการเมื่อมีหน้าจอคำถามปรากฏขึ้น

- หากต้องการดูข้อมูลการปรับเทียบที่จัดเก็บไว้ในโทรบท ให้กดปุ่ม  และเลือก **View Probe Data** คุณสามารถดูได้ทั้งการปรับเทียบปัจจุบันและประวัติการปรับเทียบของโทรบท

| ตัวเลือก | คำอธิบาย |
|---------------------------------|--|
| View Current Calibration | ข้อมูลการปรับเทียบล่าสุดจะแสดงรายละเอียดการปรับเทียบที่ดำเนินการไปครั้งสุดท้าย หากโทรบทยังไม่เคยได้รับการปรับเทียบโดยผู้ใช้ มิเตอร์จะแสดงข้อมูลการปรับเทียบโดยโรงงาน |
| View Calibration History | ประวัติการปรับเทียบจะแสดงรายการเวลาที่โทรบทได้รับการปรับเทียบ เลือกวันที่และเวลาเพื่อดูสรุปข้อมูลการปรับเทียบ |

การพิมพ์ข้อมูลที่จัดเก็บไว้

มิเตอร์จะต้องเชื่อมต่อกับไฟ AC เพื่อเริ่มการเชื่อมต่อผ่าน USB ตรวจสอบให้แน่ใจว่าได้ทำการต่อไฟ AC ก่อนที่จะเปิดมิเตอร์

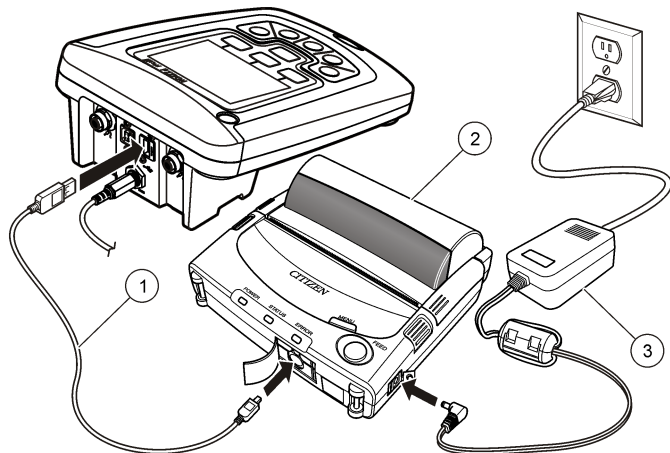
คุณสามารถส่งข้อมูลทั้งหมดไปยังเครื่องพิมพ์ได้ เครื่องพิมพ์ของ Citizen รุ่น PD-24 รองรับการทำงานร่วมกับมิเตอร์ HQD และเป็นไปตามมาตรฐาน FCC Part 15B, Class B Compliant ของมิเตอร์ HQ เครื่องพิมพ์รุ่นอื่นๆ อาจไม่รองรับการทำงานร่วมกัน เครื่องพิมพ์รุ่นที่รองรับการจะมือน้อย 72 กลมนี้ข้อมูล, สามารถพิมพ์ชุดข้อมูลได้ต่อเนื่องถึง 500 ชุด ในรูปแบบข้อความ 1, 2 และ 3 บรรทัด และรองรับโค้ดเพจ 437 และ 850

- เปิดมิเตอร์ ตรวจสอบให้แน่ใจว่าได้ทำการเชื่อมต่อมิเตอร์กับไฟ AC โปรดดูรายละเอียดใน [การต่อไฟ AC](#) ในหน้า 98
- เชื่อมต่อเครื่องพิมพ์กับมิเตอร์ด้วยสายชนิด A โปรดดูรายละเอียดใน [รูปที่ 9](#)
- เปิดมิเตอร์

4. กดปุ่ม

5. เลือก Send Data Log (ส่งบันทึกข้อมูล) คอยจนกว่าหน้าจอจะแสดงผล "Transfer Complete" และคอยให้เครื่องพิมพ์หยุดพิมพ์ ยกเลิกการเชื่อมต่อกับเครื่องพิมพ์

รูปที่ 9 การเชื่อมต่อกับเครื่องพิมพ์



1 สาย USB

2 เครื่องพิมพ์ Citizen, FCC Part 15B, Class B compliant

3 พาวเวอร์ซัพพลาย AC-DC สำหรับเครื่องพิมพ์ (อุปกรณ์เสริม)

การเปลี่ยนตัวเลือกการรายงาน

รายงานข้อมูลตัวอย่างที่ทำการพิมพ์ สามารถมีข้อมูลได้ทั้ง 1, 2 หรือ 3 บรรทัด

ดูข้อมูลเพิ่มเติมได้ในเว็บไซต์ของผู้ผลิต

1. กดปุ่ม เลือกตัวเลือกการรายงาน

2. เลือกชนิดรายงานและเลือกหนึ่งในตัวเลือก


| ตัวเลือก | คำอธิบาย |
|-----------------|---|
| Basic report | รายงานแบบหนึ่งบรรทัด |
| Advanced report | รายงานแบบสองบรรทัด บรรทัดแรกจะมีข้อมูลเหมือนกับในรายงานพื้นฐาน |
| Total report | รายงานแบบสามบรรทัด สองบรรทัดแรกจะมีข้อมูลเหมือนกับในรายงานขั้นสูง |

ส่งข้อมูลไปยังอุปกรณ์จัดเก็บ USB

หมายเหตุ

การถ่ายโอนหน่วยข้อมูลจำนวนมากจะต้องใช้เวลามากกว่า ห้ามอดอุปกรณ์จัดเก็บ USB จนกว่าการถ่ายโอนจะเสร็จสมบูรณ์

คุณสามารถถ่ายโอนข้อมูลไปยังอุปกรณ์จัดเก็บ USB เพื่อทำการจัดเก็บ หรือถ่ายโอนไปยังคอมพิวเตอร์ก็ได้

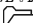
1. ปิดมิเตอร์ ตรวจสอบให้แน่ใจว่าได้ทำการเชื่อมต่อมิเตอร์กับไฟ AC
 2. เชื่อมต่ออุปกรณ์จัดเก็บ USB กับมิเตอร์ก่อนทำการเปิดมิเตอร์
 3. เปิดมิเตอร์
 4. กดปุ่ม 
 5. เลือก Send Data Log (ส่งบันทึกข้อมูล) คอยจนกว่าหน้าจอจะแสดงผลว่า "Transfer Complete" และไฟบนอุปกรณ์จัดเก็บ USB หยุดกะพริบ ถอดอุปกรณ์ USB ออก
- บันทึก: หากการถ่ายโอนข้อมูลใช้เวลานานเกินไป ให้ทำการฟอร์แมตอุปกรณ์จัดเก็บ USB เพื่อใช้รูปแบบการจัดเก็บไฟล์แบบ FAT สำหรับการใช้งานครั้งต่อไป

การส่งข้อมูลไปยังคอมพิวเตอร์โดยตรง

คุณสามารถถ่ายโอนข้อมูลจากมิเตอร์ซีรีส์ HQD ทุกรุ่น ไปยังคอมพิวเตอร์ได้โดยตรง หลังจากทำการติดตั้ง HQ40d PC Application และสามารถส่งข้อมูลแบบเรียลไทม์ในระหว่างการเก็บข้อมูล หรือถ่ายโอนบันทึกข้อมูลทั้งหมดลงก็ได้

หากต้องการดาวน์โหลดซอฟต์แวร์เวอร์ชันล่าสุด ให้ดูที่หน้าผลิตภัณฑ์ที่ใช้ดาวน์โหลดของผู้ผลิต

1. ติดตั้ง HQ40d PC Application บนเครื่องคอมพิวเตอร์
2. ปิดมิเตอร์ ตรวจสอบให้แน่ใจว่าได้ทำการเชื่อมต่อมิเตอร์กับไฟ AC

3. เชื่อมคอมพิวเตอร์กับคอมพิวเตอร์ด้วยสาย USB ชนิด B
4. เปิดมิเตอร์
5. เรียกใช้ HQ40d PC Application บนเครื่องคอมพิวเตอร์ คลิกบนสัญลักษณ์สามเหลี่ยมสีเหลืองในแถบเมนูเพื่อเริ่มการเชื่อมต่อ
6. เก็บข้อมูลในแบบเรียลไทม์ หรือถ่ายโอนข้อมูลจากบันทึกข้อมูล:
 - เร็วใหม่—ผลลัพธ์จะถูกส่งไปยัง PC Application ทันทีที่มีการจัดเก็บข้อมูลในหน่วยข้อมูลของมิเตอร์
 - ดูข้อมูลเพิ่มเติมได้ในเว็บไซต์ของผู้ผลิต
 - บันทึกข้อมูล—กดปุ่ม  และเลือกส่งบันทึกข้อมูล โดยยกเว้นว่าหน้าจอจะแสดงผลว่า "Transfer Complete" ข้อมูลจะถูกส่งไปในรูปแบบไฟล์ที่มีจุดภาคคั่น (.csv)

ข้อมูลจะถูกแสดงบนหน้าจอของ HQ40d PC Application

การดูแลรักษา

⚠ ข้อควรระวัง



อันตรายหลายประการ ควรให้บุคลากรผู้เชี่ยวชาญเท่านั้นดำเนินการตามขั้นตอนที่ระบุในเอกสารส่วนนี้

การทำความสะอาดมิเตอร์

มิเตอร์ได้รับการออกแบบมาเพื่อให้ผู้ใช้ไม่จำเป็นต้องทำการดูแลรักษา และไม่จำเป็นต้องทำความสะอาดหลังจากใช้งานตามปกติ คุณสามารถทำความสะอาดพื้นผิวด้านนอกของมิเตอร์ได้ตามความจำเป็น

1. เช็ดพื้นผิวของมิเตอร์ด้วยผ้าชุบน้ำหมาดๆ
2. ใช้อุปกรณ์ทั่วไปที่มีส่วนปลายเป็นสำลีในการทำความสะอาดหรือเช็ดข้อต่อ

การเปลี่ยนแบตเตอรี่

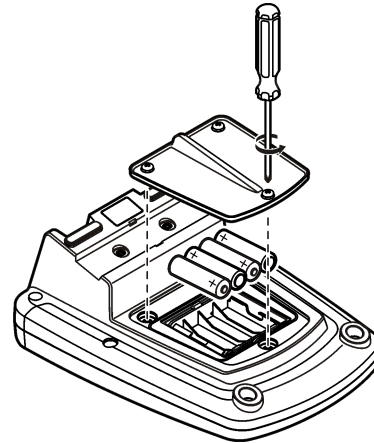
⚠ คำเตือน

อันตรายจากการระเบิด การใส่แบตเตอรี่ไม่ถูกต้องอาจส่งผลให้เกิดการรั่วซึมของก๊าซที่ง่ายต่อการระเบิด ตรวจสอบให้แน่ใจว่าแบตเตอรี่ที่ใช้ เป็นสารเคมีที่ได้รับการยอมรับประเภทเดียวกัน และใส่แบตเตอรี่ตรงตามขั้ว ห้ามใช้แบตเตอรี่ใหม่ร่วมกับแบตเตอรี่เก่า

สำหรับการเปลี่ยนแบตเตอรี่ โปรดดู รูปที่ 10

1. ถอดสกรูฝาครอบแบตเตอรี่ทั้งสามตัว และถอดฝาครอบออก **รูปที่ 10**
บันทึก: ห้ามดึงสกรูออกจากฝาครอบแบตเตอรี่
2. การถอดแบตเตอรี่
3. ใส่แบตเตอรี่อัลคาไลน์ AA 4 ก้อน หรือแบตเตอรี่นิกเกิลเมทัลไฮไดรด์ (NiMH) 4 ก้อน ตรวจสอบให้แน่ใจว่าใส่แบตเตอรี่ตรงตามขั้วที่กำหนด
4. ปิดฝาครอบแบตเตอรี่
บันทึก: ห้ามขันสกรูแน่นจนเกินไป

รูปที่ 10 การเปลี่ยนแบตเตอรี่



การแก้ไขปัญหา

โปรดดูตารางต่อไปนี้สำหรับข้อความแสดงปัญหาหรืออาการทั่วไป สาเหตุของปัญหาที่เป็นไปได้ และแนวทางการแก้ไขปัญหา

| ข้อผิดพลาด/คำเตือน | คำอธิบาย | แนวทางแก้ไขปัญหา |
|-----------------------------------|---|---|
| Connect a Probe | ไม่ได้ทำการเชื่อมต่อโพรบหรือเชื่อมต่อไม่ถูกต้อง | หมุนแหวนสกรูตัวล็อกที่จุดเชื่อมต่อโพรบให้แน่นขึ้น ยกเลิกการเชื่อมต่อโพรบและเชื่อมต่อใหม่อีกครั้ง |
| | ซอฟต์แวร์ไม่ได้รับการอัปเดตเป็นเวอร์ชันล่าสุด | หากต้องการดาวน์โหลดซอฟต์แวร์เวอร์ชันล่าสุดให้ดูที่หน้าผลิตภัณฑ์ที่ใช้ได้บนเว็บไซต์ของผู้ผลิต |
| | โพรบมีปัญหา | ลองเชื่อมต่อโพรบของ IntelliCAL เครื่องอื่นเพื่อตรวจสอบว่าเกิดปัญหาที่ตัวโพรบหรือมิเตอร์ |
| Probe Not Supported | ไม่ได้ทำการเชื่อมต่อโพรบหรือเชื่อมต่อไม่ถูกต้อง | หมุนแหวนสกรูตัวล็อกที่จุดเชื่อมต่อโพรบให้แน่นขึ้น ยกเลิกการเชื่อมต่อโพรบและเชื่อมต่อใหม่อีกครั้ง |
| | ซอฟต์แวร์ไม่ได้รับการอัปเดตเป็นเวอร์ชันล่าสุด | หากต้องการดาวน์โหลดซอฟต์แวร์เวอร์ชันล่าสุดให้ดูที่หน้าผลิตภัณฑ์ที่ใช้ได้บนเว็บไซต์ของผู้ผลิต |
| | โพรบมีปัญหา | ลองเชื่อมต่อโพรบของ IntelliCAL เครื่องอื่นเพื่อตรวจสอบว่าเกิดปัญหาที่ตัวโพรบหรือมิเตอร์ |
| | มิเตอร์ HQd ไม่รองรับโพรบของ IntelliCAL | ติดต่อฝ่ายสนับสนุนด้านเทคนิค |
| Bootloader X.X.XX.XX error | ซอฟต์แวร์ไม่ได้รับการอัปเดตเป็นเวอร์ชันล่าสุด | หากต้องการดาวน์โหลดซอฟต์แวร์เวอร์ชันล่าสุดให้ดูที่หน้าผลิตภัณฑ์ที่ใช้ได้บนเว็บไซต์ของผู้ผลิต |

| ข้อผิดพลาด/คำเตือน | คำอธิบาย | แนวทางแก้ไขปัญหา |
|---|--|--|
| ข้อความ 0 days remaining (เฉพาะ LDO และ LBOD เท่านั้น) | มีการใช้งานฝาปิดเซนเซอร์ LDO หรือ LBOD ครบ 365 วัน | เปลี่ยนฝาปิดเซนเซอร์ LDO หรือ LBOD และ iButton® |
| | อายุการใช้งานของฝาปิดเซนเซอร์ LDO เหลือ 0 วัน | เปลี่ยนฝาปิดเซนเซอร์ LDO คุณจะสามารถทำการปรับเทียบได้ แต่ก่อนการปรับเทียบพร้อมเครื่องหม้อต้มจะปรากฏขึ้นบนหน้าจอการวัด ถึงแม้การปรับเทียบจะผ่านก็ตาม |
| | ตั้งค่าวันที่และเวลาของมิเตอร์ไม่ถูกต้อง | <ol style="list-style-type: none"> 1. ยกเลิกการเชื่อมต่อโพรบจากมิเตอร์ 2. ถอดแบตเตอรี่ออกจากมิเตอร์ 3. ใส่แบตเตอรี่อย่างถูกต้อง ตรวจสอบว่าใส่ตรงตามขั้วบวกลบหรือไม่ 4. ตั้งค่าวันที่และเวลาในมิเตอร์ให้ถูกต้อง 5. เชื่อมต่อโพรบและตรวจสอบว่าข้อความหายไปหรือไม่ |
| | ซอฟต์แวร์ไม่ได้รับการอัปเดตเป็นเวอร์ชันล่าสุด | หากต้องการดาวน์โหลดซอฟต์แวร์เวอร์ชันล่าสุดให้ดูที่หน้าผลิตภัณฑ์ที่ใช้ได้บนเว็บไซต์ของผู้ผลิต |
| Meter not configured | ข้อผิดพลาดของซอฟต์แวร์ | หากทำการเริ่มต้นใช้งานมิเตอร์อย่างถูกต้อง ให้ทำการสำรองไฟล์บันทึกข้อมูลและวิธีการทำงานเอาไว้ หากต้องการดาวน์โหลดซอฟต์แวร์เวอร์ชันล่าสุดให้ดูที่หน้าผลิตภัณฑ์ที่ใช้ได้บนเว็บไซต์ของผู้ผลิต |

| ข้อผิดพลาด/คำเตือน | คำอธิบาย | แนวทางแก้ไขปัญหา |
|--|---|---|
| มีเตอร์ไม่ทำงานหรือติดๆ ดับๆ | ใส่แบตเตอรี่ไม่ถูกต้อง | ตรวจสอบขั้วของแบตเตอรี่เพื่อให้แน่ใจว่าใส่แบตเตอรี่ตรงตามขั้วบวกลบหรือไม่ แล้วทดสอบอีกครั้ง |
| | | ทำความสะอาดขั้วแบตเตอรี่ แล้วเปลี่ยนแบตเตอรี่ใหม่ |
| | | เชื่อมต่อไฟ AC และทดสอบอีกครั้ง |
| | ซอฟต์แวร์ไม่ได้รับการอัปเดตเป็นเวอร์ชันล่าสุด | หากต้องการดาวน์โหลดซอฟต์แวร์เวอร์ชันล่าสุด ให้ดูที่หน้าผลิตภัณฑ์ที่ใช้ได้บนเว็บไซต์ของผู้ผลิต |
| มีเตอร์ชำรุด | ติดต่อฝ่ายสนับสนุนด้านเทคนิค | |
| เข้าใช้งานหน้าจอตัวเลือกได้ไม่ครบทุกส่วน | ไม่ได้ทำการป้อนรหัสผ่านที่ถูกต้อง | ติดต่อฝ่ายสนับสนุนด้านเทคนิค |
| เข้าใช้งานหน้าจอตัวเลือกได้ไม่ครบทุกส่วน หรือเข้าใช้งานหน้าจอผู้ควบคุมไม่ได้ | ซอฟต์แวร์ไม่ได้รับการอัปเดตเป็นเวอร์ชันล่าสุด | หากต้องการดาวน์โหลดซอฟต์แวร์เวอร์ชันล่าสุด ให้ดูที่หน้าผลิตภัณฑ์ที่ใช้ได้บนเว็บไซต์ของผู้ผลิต |

HACH COMPANY World Headquarters

P.O. Box 389, Loveland, CO 80539-0389 U.S.A.

Tel. (970) 669-3050

(800) 227-4224 (U.S.A. only)

Fax (970) 669-2932

orders@hach.com

www.hach.com

HACH LANGE GMBH

Willstätterstraße 11

D-40549 Düsseldorf, Germany

Tel. +49 (0) 2 11 52 88-320

Fax +49 (0) 2 11 52 88-210

info@hach-lange.de

www.hach-lange.de

HACH LANGE Sàrl

6, route de Compois

1222 Vézenaz

SWITZERLAND

Tel. +41 22 594 6400

Fax +41 22 594 6499

